

健全 C M Technology

Power Material Characteristics

			LP1	LP2	LP3	LP3A
Initial permeability	μ_i	-	3000±25%	2500±25%	2300±25%	2200±25%
Relative loss factor	$\tan\delta/\mu_i$	$\times 10^{-6}$	<10	<5	<4	<3
	B_s	25°C		500	500	490
Saturation flux density	1194A/m	mT	100°C	390	390	380
Remanence	B_r	mT		130	130	110
Coercivity	H_c	A/m		13	13	10
Power loss		25°C				
		80°C		120	90	60
(f=25kHz,B=200mT)	P_c	kW/m^3	100°C	160	100	70
		25°C		700	650	600
Power loss		80°C		550	480	400
(f=100kHz,B=200mT)	P_c	kW/m^3	100°C	600	450	350
Curie temperature	T_c	°C	≥220	≥200	≥200	≥200
Density	d	$\text{kg/m}^3 \times 10^3$	4.8	4.8	4.8	4.8



A POWERFUL SOLUTION™

Distributed By

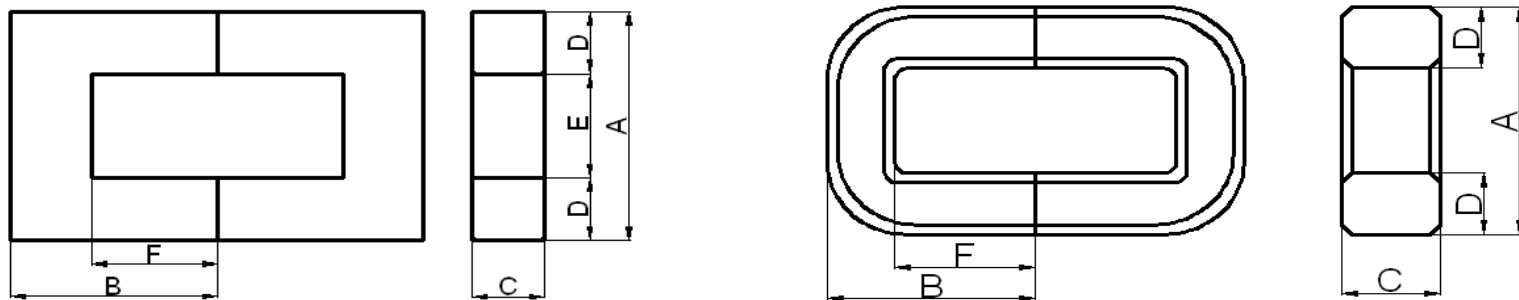
MH&W International Corp

14 Leighton Place, Mahwah, NJ 07430

Phone: 201-891-8800 - Toll Free: 866-MHW-CORE

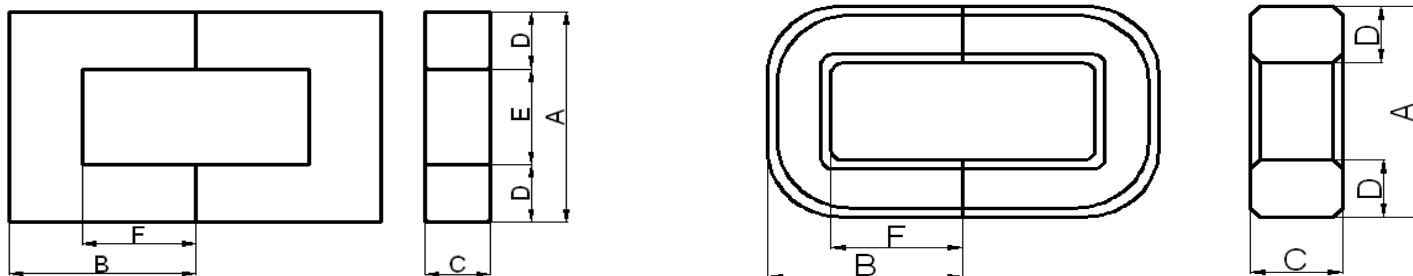
Email: salesm@mhw-intl.com WEB: www.mhw-intl.com

UU Core Series



Type	Fig	Dimensions (mm)					
		A	B	C	D	E	F
UU65/64/40	1	65.0±1.5	63.5±1.0	40.0±0.5	20.0±0.5	24.4min	43.0±0.7
UU66/55/40	1	66.0±1.5	55.0±1.0	39.6±0.6	19.5±0.5	25.0min	36.5±1.0
UU73/34/28	1	72.8±1.5	33.7±1.0	27.9±0.5	13.8±0.5	45.0min	19.7±0.7
UU80/65/30	2	80.0 ^{+2.0} _{-1.0}	65.0±0.5	30.0±0.5	21.5±0.5	37.0Ref	43.0±1.0
UU80/65/40	2	80.0 ^{+2.0} _{-1.0}	65.0±0.5	40.0±1.0	21.5±0.5	37.0Ref	43.0±1.0
UU80/85/40	1	80.0 ^{+3.0} _{-2.0}	85.0±1.0	40.0±1.0	20.0±0.5	40.0min	65.0±1.0
UU82/45/14	1	82.0 ^{+3.0} _{-2.0}	45.0±0.8	14.0±0.5		53.0min	31.0±0.8
UU93/76/30	1	93.0±2.0	76.0±0.5	30.0±0.5	28Ref	34.6min	48.0±0.9
UU93/79/28	1	93.0±2.0	79.0±1.0	28.0±1.0	28.0±0.5	34.6min	49.5±1.0
UU95/85/40	1	95.0 ^{+3.0} _{-2.0}	85.0±1.0	40.0±1.0	20.0Ref	54.5min	65.0±0.5
UU96/79/30	1	96.0±2.0	79.0±0.5	30.0±0.5	30.0±0.5	34.0min	49.0±0.5
UU100/57/25	1	101.6±2.0	57.1±0.4	25.4±0.8	25.4±0.8	50.8±1.0	31.7±0.75
UU100/75/30	1	100.0±3.0	75.5±1.0	30.0±1.0	30.0±1.0	37.5min	45.0±0.75
UU110/95/40	1	110.0±2.5	95.0±1.0	40.0±1.0	30.0±1.0	50.0±1.5	65.0±1.0
UU114/78/38	1	114.0±2.5	77.5±1.0	37.5±1.0	30.0±0.5	54.0±1.5	48.0±1.0
UU120/80/40	1	120.0±3.0	80.0±1.0	40.0±1.5	30.0±0.5	59.0min	50.5±1.0
UU120/100/40	1	120.0±3.0	100.0 ^{+1.0}	40.0±1.5	30.0±0.5	59.0min	70.2±1.5
UU120/118/40	1	120.0±3.0	117.5±1.0	40.0±1.5	30.0±0.5	59.0min	87.5±1.5
UU126/91/20	1	126.0±3.0	91.0±1.0	20.0±0.6	28.0Ref	70.0±2.0	63.0±2.0
UU140/95/39	1	140 ^{+5.0} _{-1.0}	95.0 ^{+2.0}	39.0±1.5	40.0±1.0	60.0min	56.5 ^{+1.0}
UU160/125/20	1	162.0±3.0	125.0±0.5	20.0±1.0	50.5±0.5	60.0min	75.0±1.5

UU Core Series



Type	Core parameter				weight (g/prs)	AL(nH/N ²)
	C ₁ (mm ⁻¹)	L _e (mm)	A _e (mm ²)	V _e (mm ³)		LP3 (±25%)
UU65/64/40	0.355	286	806	230000	1130	6400
UU66/55/40	0.342	260	759	197000	960	6000
UU73/34/28	0.549	212	387	82075	410	4900
UU80/65/30	0.485	314	647	203000	1010	4300
UU80/65/40	0.366	311	850	265000	1350	5000
UU80/85/40	0.543	435	801	348000	1600	4000
UU82/45/14	1.376	275	200	54900	270	1700
UU93/76/30	0.421	354	840	297000	1520	5500
UU93/79/28	0.454	362	797	289000	1440	5000
UU95/85/40	0.540	430	796	343000	1670	4600
UU96/79/30	0.403	360	894	322000	1610	5500
UU100/57/25	0.478	308	645	199000	1000	5500
UU100/75/30	0.386	354	917	324620	1650	6060
UU110/95/40	0.320	466	1456	679630	2765	6900
UU114/78/38	0.352	387	1100	426000	2160	6900
UU120/80/40	0.347	415	1196	507280	2420	6900
UU120/100/40	0.414	503	1216	611650	2890	4720
UU120/118/40	0.470	564	1200	677000	3270	4800
UU126/91/20	0.857	480	560	268800	1360	2800
UU140/95/39	0.321	497	1548	741500	3680	7000
UU160/125/20	0.574	578	1007	582000	2880	3500

Test Conditions: AL 1kHz/0.5mA/100Ts

Material Specification

Material	U _j	B _{sat} 1190A/M 100° C	Power Loss 100KHz, 200mT 80°C 100°C		T _c
LP3	2300 ± 25%	390 mT	480	450	>200

Distributed By

MH&W International Corp

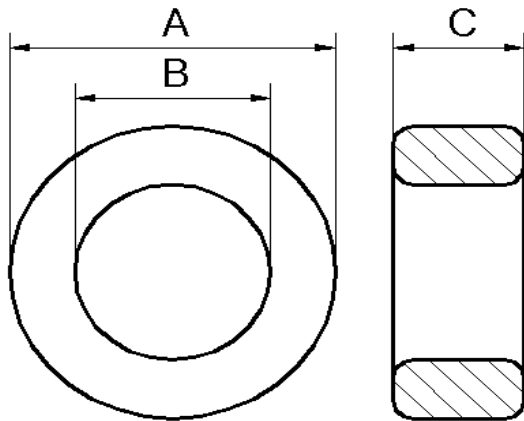
14 Leighton Place, Mahwah, NJ 07430

Phone: 201-891-8800 - Toll Free: 866-MHW-CORE

Email: salesm@mhw-intl.com WEB: www.mhw-intl.com

健全 C M Technology

Toroid Series T140 x 100 x 25



Dimension				
A	140.0	mm	±	3.0
	5.51	in	±	0.12
B	100	mm	±	2.0
	3.94	in	±	0.08
C	25.4	mm	±	1.5
	1.00	in	±	0.06

Mechanicals		
Weight	839	g/pr
C_1	0.747	mm^{-1}
L_e	369	mm
	14.5	in
A_e	495	mm^2
	0.767	in^2
V_e	182777	mm^3
	11.15	in^3

Electricals				
Material	Application	AI Value		
HP1	Filter	6,700	±	25%
HP2	Filter	10,000	±	25%
HP3	Filter	14,300	±	25%
LP3	Power	3,080	±	25%
LP3A	Power	2,940	±	25%



Distributed By

MH&W International Corp

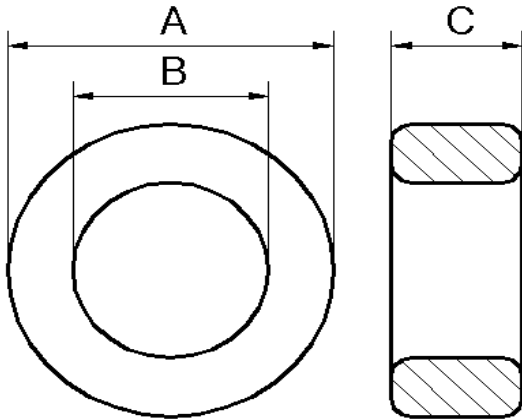
14 Leighton Place, Mahwah, NJ 07430

Phone: 201-891-8800 - Toll Free: 866-MHW-CORE

Email: salesm@mhw-intl.com WEB: www.mhw-intl.com

健全 C M Technology

Toroid Series T117 x 80 x 23



Dimension				
A	117.0	mm	±	3.0
	4.61	in	±	0.12
B	80	mm	±	2.0
	3.15	in	±	0.08
C	23	mm	±	1.5
	0.91	in	±	0.06

Mechanicals		
Weight	625	g/pr
C_1	0.719	mm^{-1}
L_e	302	mm
	11.9	in
A_e	420	mm^2
	0.651	in^2
V_e	126913	mm^3
	7.74	in^3

Electricals				
Material	Application	AI Value		
HP1	Filter	7,200	±	25%
HP2	Filter	10,500	±	25%
LP3	Power	3,310	±	25%
LP3A	Power	3,160	±	25%



Distributed By

MH&W International Corp

14 Leighton Place, Mahwah, NJ 07430

Phone: 201-891-8800 - Toll Free: 866-MHW-CORE

Email: salesm@mhw-intl.com WEB: www.mhw-intl.com

PM Core Series

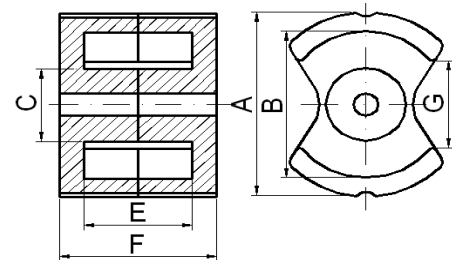


Fig 1

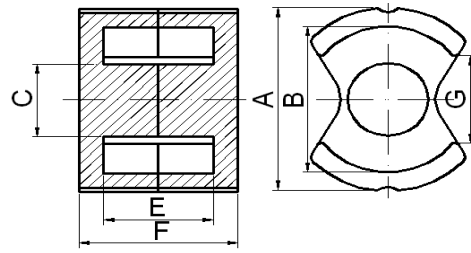


Fig 2



Type	Fig	Dimensions (mm)						
		A	B	C	D (hole)	E	F	G
PM50/39	1	50.0 _{-1.7}	39.0 ^{+1.3}	20.0 _{-0.6}	5.4 ^{+0.2}	26.4 ^{+0.8}	39.0 _{-0.4}	23.4min
PM62/49H	2	62.0 _{-2.0}	48.8 ^{+1.5}	25.5 _{-0.6}		33.4 ^{+0.8}	49.0 _{-0.4}	29.0min
PM62/49	1	62.0 _{-2.0}	48.8 ^{+1.5}	25.5 _{-0.6}	5.4 ^{+0.2}	33.4 ^{+0.8}	49.0 _{-0.4}	29.0min
PM74/59	1	74.0 _{-3.0}	57.5 ^{+1.8}	29.5 _{-1.0}	5.4 ^{+0.3}	40.7 ^{+0.8}	59.0 _{-0.6}	34.0min
PM87/70	1	87.0 ^{+2.0} _{-3.0}	67.1 ^{+2.1}	31.7 _{-1.0}	8.5 ^{+0.3}	48.0 ^{+0.8}	70.0 _{-0.6}	39.4min
PM114/93	1	114.0 _{-5.0}	88.0 ^{+3.7}	43.0 _{-1.4}	5.4 ^{+0.4}	63.0 ^{+1.6}	93.0 _{-1.0}	52.0min

Type	Core parameter				weight (g/prs)	AL(nH/N ²)	
	C1 (mm ⁻¹)	Le (mm)	Ae (mm ²)	Ve (mm ³)		LP3 (±25%)	LP3A (±25%)
PM50/39	0.227	84	370	31000	140	7700	7700
PM62/49H	0.190	109	570	62000	290	9700	9700
PM62/49	0.190	109	570	62000	280	9700	9700
PM74/59	0.162	128	790	101000	520	10000	10000
PM87/70	0.161	146	910	133000	820	13000	
PM114/93	0.116	200	1720	344000	1940	16000	

Note : AL measured @ 1kHz/0.5mA/100Ts

Material Specification					
Material	U _i	Bsat 1190A/M 100° C	Power Loss 100KHz, 200mT 80°C	100°C	T _c
LP3	2300 ± 25%	390 mT	480	450	>200
LP3A	2200 ± 25%	380 mT	400	350	>200