

CT195X415HP101-428A40

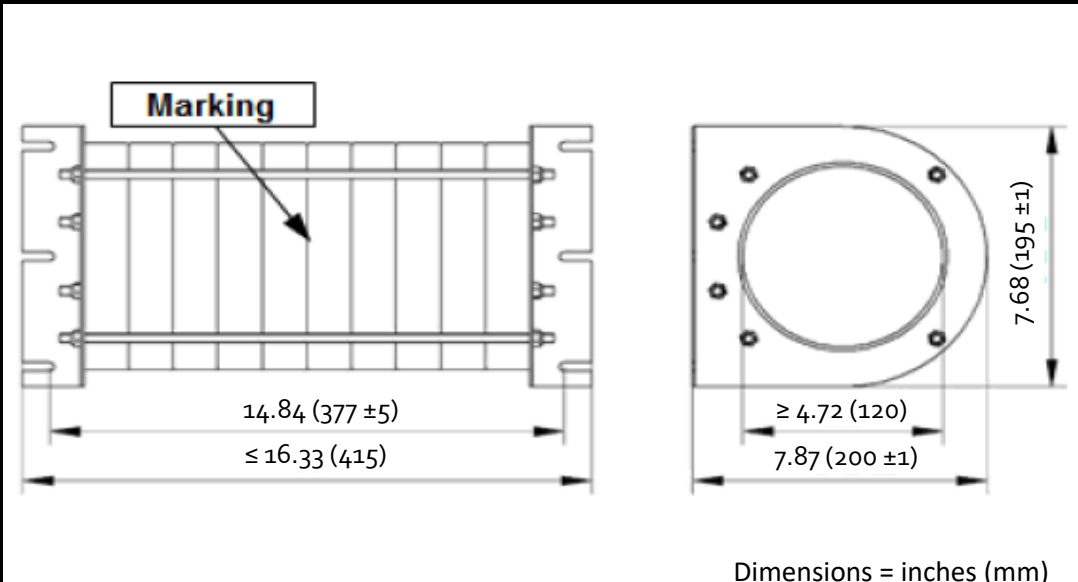
Product Specification For Radiated Emission Choke Cores

Mechanical Specification

Bare Core Dimensions:
6.30 x 5.12 x 1.18 inch x 10
(160 x 130 x 30 mm x 10)
le: 45.08 cm
Ae: 32.8 cm²
Weight:
Packing: 1 pc/layer, 1 layers/box
Box Quantity: 1 pieces

Core Material: Nanocrystalline
Curie Temp: 1,112°F (600 °C)
RTI Temp (0.81): 248°F (120°C)

Marking:
CT195X415HP101-428A40



Electrical Core Performance

Permeability @ frequency = 10 KHz and Hpeak = 3.00 mA/cm					~12,000	Maximum Asymmetric Current I_{sat} * (Sum Peak Current)
Inspection Value	Measured Value	Measurement Limits	Frequency	$L_{eff} * N$ (mA*turn)		
	A_L ($\mu H/N^2$)	77 - 154	10 KHz	96		
	A_L ($\mu H/N^2$)	57 min	100 KHz	96	40 AMP	

*Saturation Current (I_{sat}) of nanocrystalline material: Peak value of the exiting current when the initial inductance level is dropped to 10 percent. Saturation behaviour is dependant on frequency, signal shape and leakage field. The current value is a calculated value for design help only and cannot be guaranteed. I_{sat} is calculated @ $B = 1.0 T - \mu nom - N = 1$.

Core Finishing

Type:	Plastic Case	Case Material Alternatives:	Zytel FR70G25	Rynite FR530	Longlite 4130	PA66-R11G25
Voltage Breakdown:	2,500 VRMS	Case UL file Number:	E41938	E41938	E59481	E484599

Bracket

Type:	RACK	Rack Material:	Stainless steel 1.4301 with zinc plated threaded rod
-------	------	----------------	--

Certification

MH&W International certifies that the manufacturing and the quality process meet all requirements of IEC Part 1: General Specification for "Fixed Inductors For Electromagnetic Interference Suppression", IEC 60938-1:1999 + A1:2006. This International Standard is used in lieu of requirements/documents pertaining to UL, CE, CSA, DIN and other individual agencies. The flame insulation rating meets UL-94V-0.

MH&W International certifies the product described herein is in compliance with the Directive 2011/65/EU of the European Parliament and of the council of 8 June, 2011 on the Restriction of the use of Certain Hazardous Substances in Electrical and Electronic Equipment (RoHS2 Directive).

Rev #	Date	Description	Drawing Approval	Drawing Number
-	06/08/16	Initail Issue	Engineering: D. Rollins	CT195X415HP101-428A40 R1
1	04/20/26	Updated to new datasheet format.	Sales: O. Kasneci	