



January 2026

MH&W Bobbin Catalog

MH&W INTERNATIONAL CORPORATION

575 Corporate Drive • Suite 4200 • Mahwah, NJ 07430-2330
201-891-8800 • www.mhw-intl.com • sales@mhw-intl.com

Bobbin Part Numbers

BATQ17-12.4-115CPV-TB-P3.0.....	9
BATQ23.2-11.6-116CPV-TB-P3.2.....	10
BATQ25-16-118CPH-TB-P3.7.....	11
BATQ27-18.4-114CPV-TB-P5.0.....	12
BATQ28-18.3-115CPV-TB-P5.5.....	13
BC 18/11-118CP-P-SQ3.3.....	14
BC 23/11-1110CP-4.0-PM9820.....	15
BC 23/11-1110CP-P-4.0-PM9630.....	16
BC 23/11-5110T FR.....	17
BC 23/18-8110DS-S-P5.5.....	18
BE 05-116GADS-P.....	19
BE 05-126GADS-P.....	20
BE 05-L16GADS-P.....	21
BE 05-L16GADS-P-P8.6.....	22
BE 05-L26GADS-P.....	23
BE 06.3-L26GADS-P.....	24
BE 06.3-L26GADS-P-1.....	25
BE 08-116CPH-P-P2.7.....	26
BE8.8-L34GADS-P.....	27
BE 8.3-116CP-P-P4.0.....	28
BE 12.5-1110CP-P-P3.3.....	29
BE 13-1107CP-DG-P5.0.....	30
BE 13-1110CP-MX-P3.7-SO.....	31
BE 13-1110CP-P-P5.0.....	32
BE 13-1210CP-P-P4.5.....	33
BE 16/16/5-126CP-P.....	34
BE 16/24/5-1110CP-P-6x4.....	35
BE 16-110CP-PM-P4.5.....	36
BE 16-116CP-P4.0.....	37
BE 16-1110CPN-P.....	38
BE 16-1110CPV-P-P4.0.....	39
BE 19/16-416CP-P-P4.0.....	40

BE 19/16-818CPH-P	41
BE 19/16-1110CP-S-P4.0	42
BE 19/16-1112CP-P	43
BE 19/27/5-1110CP-P-6x4	44
BE 19/27-1110CPH-P	45
BE 19-116CP-YC-P5.0	46
BE 19-516CP-TJ-P4.8	47
BE 19H-857CP-P-P4.0	48
BE 22/19/6-118CP-MX-P6.0	49
BE 22/29/6-1110CP-P-P4.0	50
BE 22-118CP-PM-P6.0	51
BE 22-1110CP-MX-P6.0	52
BE 22-1110CP-P	53
BE 25-118CP-MX-P6.0	54
BE 25-118CP-P	55
BE 25-118CP-P-P4.0	56
BE 25-424CPV-P-P4.5	57
BE 25-1110CP-T-SQ3.0	58
BE 28-1110CP-P-P4.5	59
BE 28-1110CP-P-P6.0	60
BE 28-1110CP-P-P6.0	61
BE 30-1110CP-P-P7.0	62
BE 30-1110CP-S-P7.0	63
BE 30-1112CPH-P-P4.0	64
BE 30-1112CP-PM-P4.0	65
BE 30-1112CP-P-P4.0	66
BE 30-1112CP-S-P4.0	67
BE 34-5112DS-TJ-P4.37	68
BE 40-1100 NO PIN	69
BE 40-1112CPH-P-P4.0	70
BE 40-1112CPN-P-7	71
BE 40-1112CPN-P-P5.0	72
BE 42/42/20-1112CP-P-P3.5	73
BE 55/55/21-1121CPH-P-L3.5	74

BE 57/31-825-N.....	75
BE 65-8116CP-P-P3.2.....	76
BE 187-516CP-TJ-P4.8.....	77
BE16-1110CP-W-P-3.5.....	78
BE19/16-1110CP-P-P3.5-6x4.....	79
BE19/16-1210CPH-P-P3.5-6x4.....	80
BE33-1116CP-Y-P3.5.....	81
BE55/25-8114H-N-P3.5.....	82
BEER25.5-117CP-S-P3.0.....	83
BEER25.5-118CP-S-P4.5.....	84
BEER25.5-117CP-S-P3.0.....	85
BEER25.5-118CP-S-P4.5.....	86
BEER28-119CP-S-P3.5.....	87
BEER28-1110CP-S-P4.5.....	88
BEER28-1112CPH-P.....	89
BEER28-1112CPH-P-P3.5.....	90
BEER28-1112CPH-P-P4.0.....	91
BEER28-1115CP-S-P5.0 SPL.....	92
BEER28L-1110CP-PM-P4.5.....	93
BEER28L-1112CPH-P-P3.5.....	94
BEER28L-1112CPH-P.....	95
BEER28L-1130CP-P-P4.0.....	96
BEER28L-1412CPH-S-P4.0.....	97
BEER28L-1412CPH-S-P5.0.....	98
BEER28LS-1110CP-P.....	99
BEER35-1112CP-P-P4.0.....	100
BEER35-1114CP-S-P4.0.....	101
BEER35-1116CPH-P.....	102
BEER35L-1114CP-P-P3.5.....	103
BEER35L-1116CP-P-P4.0.....	104
BEER39-1136CP-N-P4.0.....	105
BEER40-1111CP-S-P3.5.....	106
BEER40-1112CP-S-P5.0.....	107
BEER40-1116CPH-P.....	108

BEER40-1116CPH-P-P4.2	109
BEER40-1116CPH-P-P4.5.....	110
BEER42/42/20-1112CPH-P-P3.3.....	111
BEER42/42/20-1112CPH-P-P5.0.....	112
BEER42-1114CP-P-4.0.....	113
BEER42-1116CPH-PM-P5.0	114
BEF12.6-1110CPH-P-SQ3.5.....	115
BEF12.6-1210GADS-P	116
BEF12.6-L110GADS-P	117
BEF16-119CPH-M-SQ4.0	118
BEF16-1114CPH-P-P3.5-9630	119
BEF16-1114CPH-P-SQ3.5-9630.....	120
BEF16-1114CPH-P-SQ3.5-9820.....	121
BEF20-118CPH-P	122
BEF20-818CPH-P	123
BEF20-1110CPH-P-SQ3.5.....	124
BEF20-1110CP-P-P3.5.....	125
BEF25-118CPH-MX-P4.0.....	126
BEF25-118CPH-P	127
BEF25-1110CP-P-P3.6.....	128
BEF25-5110CP-P-SQ4.5	129
BEF25-8112LCPH-P-SQ3.1.....	130
BEF25-8115CPH-PM-P4.0.....	131
BEF25-8115CPH-PM-SQ4.0	132
BEFD06.5-L116GADS-P.....	133
BEFD10-118UDS-P.....	134
BEFD15-118CPH-P	135
BEFD15-1112GADS-P.....	136
BEFD15-L16DS-P-P3.0	137
BEFD15-L47DS-P-SQ2.5-P5X2.....	138
BEFD15-L57GADS-P.....	139
BEFD15-L110GADS-P	140
BEFD15-L410DS-P.....	141
BEFD15-L410GADS-P.....	142

BEFD15-L810DS-P 4x6	143
BEFD15-L1011GADS-P.....	144
BEFD20-118CP-P.....	145
BEFD20-1110CPH-P-SQ3.5	146
BEFD20-1110GADS-P S2004-1	147
BEFD20-1110GADS-P S2004-4	148
BEFD20-1110GADS-P-S2004	149
BEFD20-1112GADS-P.....	150
BEFD20-L110-P	151
BEFD20-L112GADS-P.....	152
BEFD25-1110CPH-P-P3.5.....	153
BEFD25-1110CP-P.....	154
BEFD25-1110CP-P-P3.5	155
BEFD25-1110GADS-P.....	156
BEFD25-1112GADS-P.....	157
BEFD25-1410CPH-P-SQ3.0	158
BEFD30-112GADS-TB.....	159
BEFD30-1112CP-P.....	160
BEFD30-1112CP-P-3.5 P-3016	161
BEFD30-1112CP-P-3.7 P-3016	162
BEFD30-1112CP-P-P4.0	163
BEM12.7/13.7-118GADS-P.....	164
BEM12.7/13.7-L110GADS-P	165
BEP05-116GADS-P.....	166
BEP05-126GADS-P.....	167
BEP07-114CP-P-P2.6.....	168
BEP07-116CP-P.....	169
BEP07-118GADS-P.....	170
BEP07-118GADS-P-1.....	171
BEP07-118JDS-P	172
BEP07-126CP-P.....	173
BEP07-918GADS-P.....	174
BEP07-L16GADS-01-P	175
BEP07-L16GADS-P.....	176

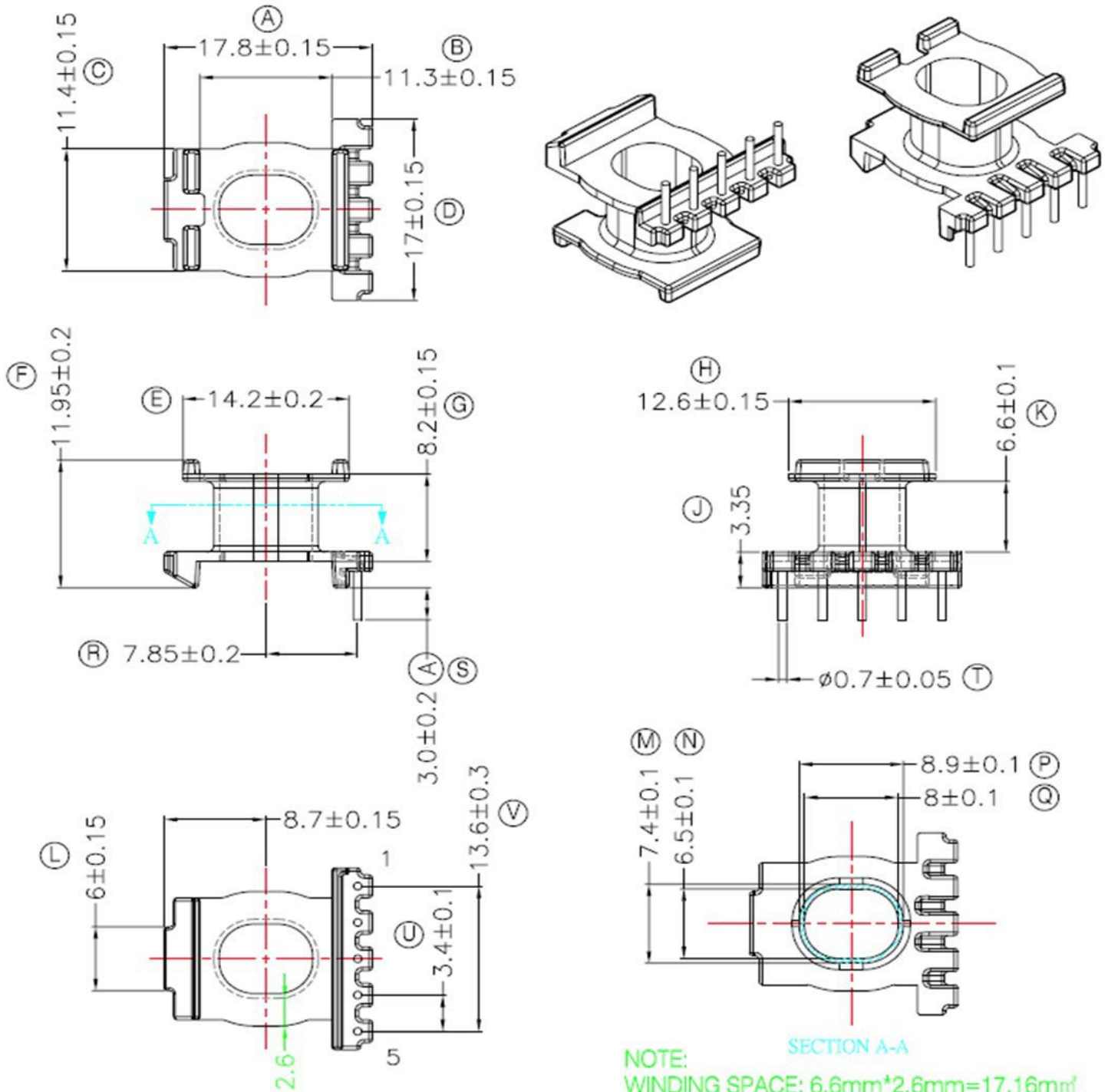
BEP07-L26GADS-P	177
BEP10-128GADS-P.....	178
BEP10-118CP-MX-P3.7	179
BEP10-118CP-MX-P5.2.....	180
BEP10-118GADS-P.....	181
BEP10-L18GADS-P	182
BEP10-L18GADS-P-0.....	183
BEP13-116CP-T-P4.8.....	184
BEP13-116-S	185
BEP13-918LDS-P	186
BEP13-1110CP-P-P2.8.....	187
BEP13-1110CP-P-P4.5	188
BEP13-1116DS-P.....	189
BEP13-1210CP-P-4.0.....	190
BEP13-1210GADS-P.....	191
BEP13-9112GADS-P-P8X4.....	192
BEP13-L110GADS-P	193
BEP13-L210GADS-P	194
BEP17-118CP-P-P4.5-1703	195
BEP17-118CP-P-P5.2-1706	196
BEP17-128CP-P-P5.2	197
BEP17-328DFR-P-P4.7	198
BEP20-1110CP-P-P5.0.....	199
BEPC10-118GADS-P.....	200
BEPC13-1110CPH-MX-P2.5.....	201
BEPC13-1110CPH-PM-P2.5.....	202
BEPC13-1110GADS-P.....	203
BEPC17-119GADS-P.....	204
BEPC17-1110CPH-P-SQ4.5	205
BEPC19-1110GADS-P.....	206
BEPC19-1111CPH-P-SQ2.4	207
BEPC19-1111CPH-P-SQ4.5	208
BEPC19-1112GADS-P.....	209
BEPC19-L110GADS-P.....	210

BEPC19-L112GADS-P	211
BEPC19-L412GADS-P	212
BEPC19-L412GADS-S.....	213
BEPC19-L612DS-P.....	214
BEPC25-1111CPH-P-P4.0.....	215
BEPC25B-1111GADS-P.....	216
BEPC25-L710GADS-S	217
BEPC30-1112CPH-PM-P4.5	218
BEQ30-115LCP-S-P3.5	219
BEQ30-1110CP-S-P4.0	220
BER7.5-118GADS-P.....	221
BER09.5/05-118GADS-P	222
BER11/05-118DSGA-W.....	223
BER11/05-1110GADS-P	224
BER11/05-1112GADS-P.....	225
BER11/05-L112GADS-P	226
BER14.5/06-1110GADS-P	227
BER14.5/6-L110GADS-P	228
BER14.5/6-L112GADS-P	229
BER18.6-1114UDS-P.....	230
BET24-440-P.....	231
BET28-426-P.....	232
BETD29-1114CP-P-P4.0-PM9630	233
BETD49-8120CPH-P-P4.5.....	234
BETD54-8122CPH-P-P4.5.....	235
BLP22/13-118CPH-S-P4.0.....	236
BLP22/13018CPL-DG.....	237
BLP23/08-018CPH-MX.....	238
BLP23/08-018CPH-V2-MX	239
BLP32/13-118CPH-MX-P4.0	240
BLP32/13-118CPH-Y-P4.0.....	241
BLP32/13-1110CPH-S-P4.0 PM9820	242
BLP32/13-1110CPH-S-P4.0.....	243
Bobbin Pot Core -612 Series.....	244

Bobbin Pot Core -622 Series.....	245
BP 11/07-622.....	246
BP 14/08-622.....	247
BP 14/08-PC1 6 SP FR.....	248
BP 18/11-612 N ½.....	249
BP PC Series.....	250
BPQ26/25-1112CP-S2-P5.0.....	251
BPQ40/40-1112CP-PM-P7.0.....	252
BPQ40/40-1114CPH-DG-P7.0.....	253
BPQ50/50-1112CP-MX-P10.0.....	254
BRM06-114CP-PM-P5.0.....	255
BRM06-114CP-T-P4.0.....	256
BRM07-118CP-DG-P4.....	257
BRM08-118CP-MX-P5.0.....	258
BRM08-8112JDS-T.....	259
BU 16-124CPH-MX-P6.0.....	260
BU 16-124CPH-S-P6.0.....	261
BX25-118CP-PM.....	262
BX25-118CP-T.....	263

BATQ17-12.4-115CPV-TB-P3.0

REV	DATE	DESCRIPTION	BY
-	2021/06/04	INITIAL ISSUE	dr

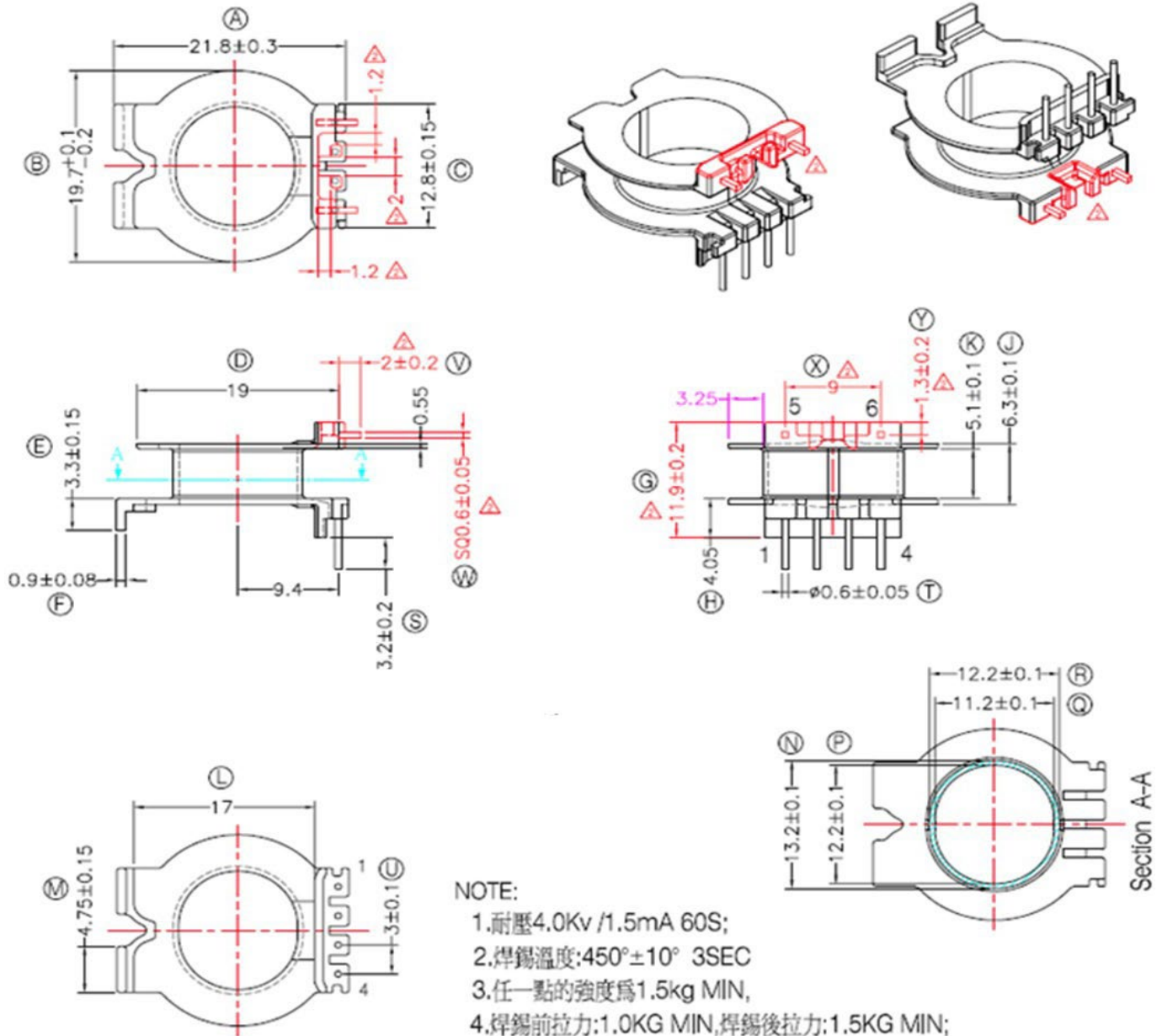


Dimensions in mm

Tolerances: 0<L≤4 ±0.2; 4<L≤16 ±0.3; 16<L≤63 ±0.4		Pin Pitch: ±0.2	UL Molder Certification:
Country of Origin: China	RoHS Certified: YES	Title: BOBBIN ATQ17-12.4 VERTICAL 5 PIN	
Bobbin Material: PM-9820	TBI-238-26011.1206	Drawing Number: BATQ17-12.4-115CPV-TB-P3.0	
UL File: 41429	UL Rec: 94-V0	Pin Material: Steel Wire (CP)	
MH&W International Corp Phone 201-891-8800 Email: sales@mhw-intl.com		Pin Tension: 1.0Kgm min	Finish: matte Sn
		Part Number: BATQ17-12.4-115CPV-TB-P3.0	

BATQ23.2-11.6-116CPV-TB-P3.2

REV	DATE	DESCRIPTION	BY
-	2021/06/16	INITIAL ISSUE	dr



NOTE:

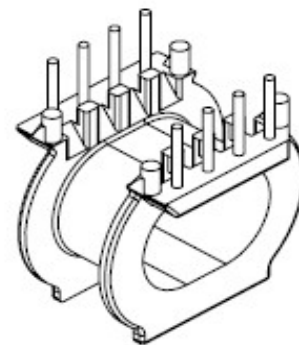
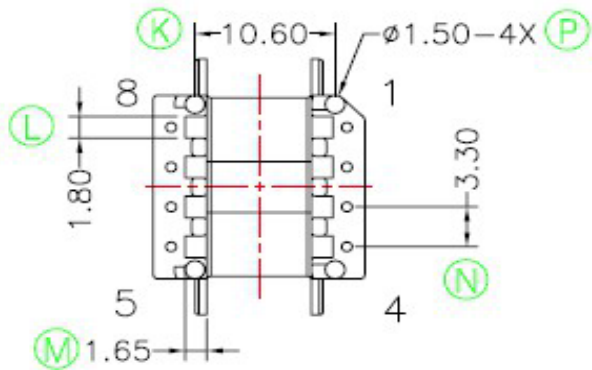
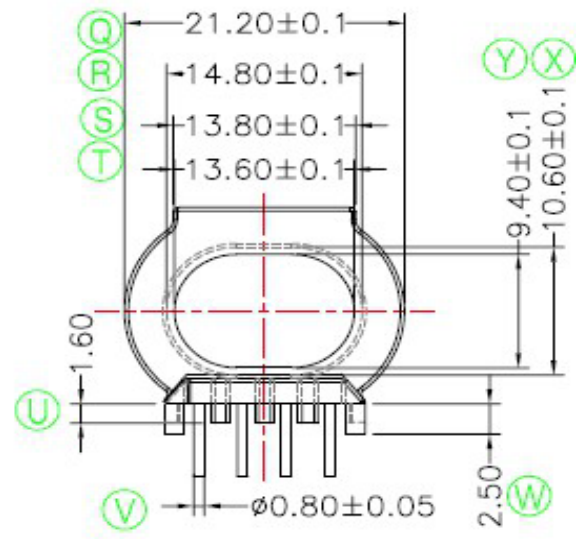
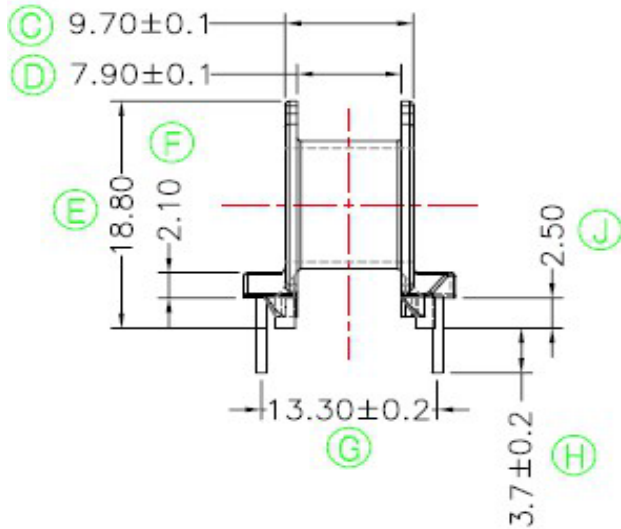
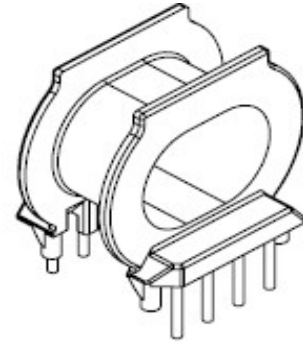
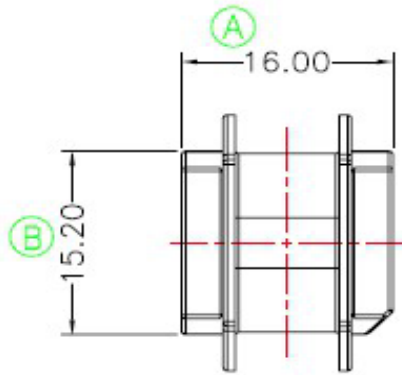
- 1.耐壓4.0Kv /1.5mA 60S;
- 2.焊錫溫度:450°±10° 3SEC
- 3.任一點的強度為1.5kg MIN,
- 4.焊錫前拉力:1.0KG MIN,焊錫後拉力:1.5KG MIN;
- 5.Winding Space=5.1*3.25=16.58mm²

Dimensions in mm

Tolerances: 0<L≤4 ±0.2; 4<L≤16 ±0.3; 16<L≤63 ±0.4		Pin Pitch: ±0.2	UL Molder Certification:
Country of Origin: China	RoHS Certified: YES	Title: BOBBIN ATQ23.2-11.6 VERTICAL 4+2 PIN	
Bobbin Material: PM-9630	TBI-238-10501.1106	Drawing Number: BATQ23.2-11.6-116CPV-TB-P3.2	
UL File: 41429	UL Rec: 94-V0	Pin Material: Phosphor Bronze	
MH&W International Corp Phone 201-891-8800 Email: sales@mhw-intl.com		Pin Tension: 1.5Kgm min	Finish: matte Sn
		Part Number: BATQ23.2-11.6-116CPV-TB-P3.2	

BATQ25-16-118CPH-TB-P3.7

REV	DATE	DESCRIPTION	BY
-	2021/06/04	INITIAL ISSUE	dr

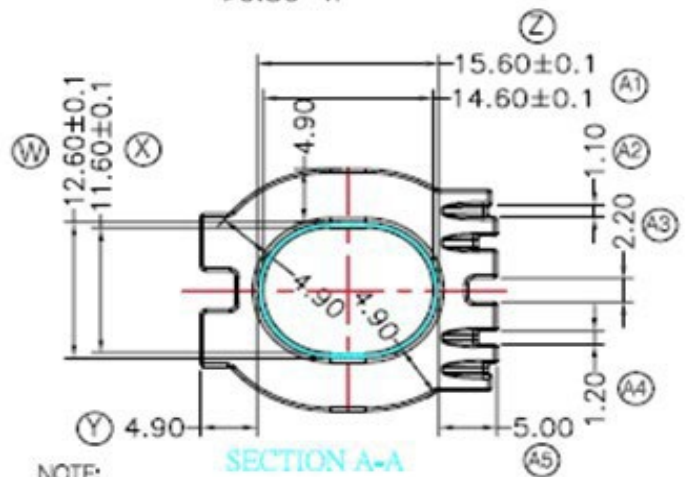
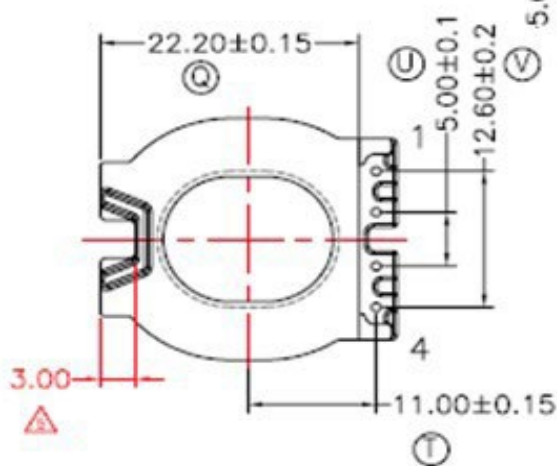
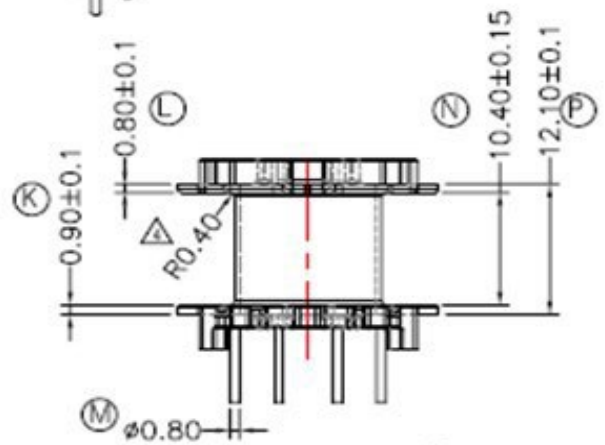
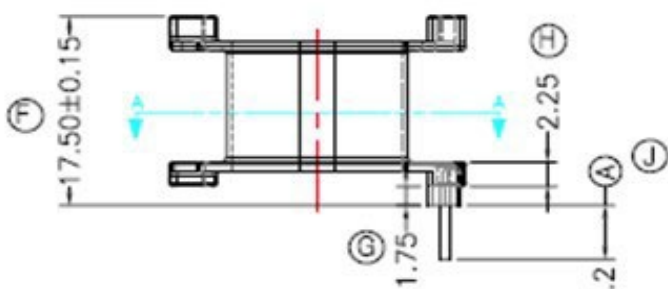
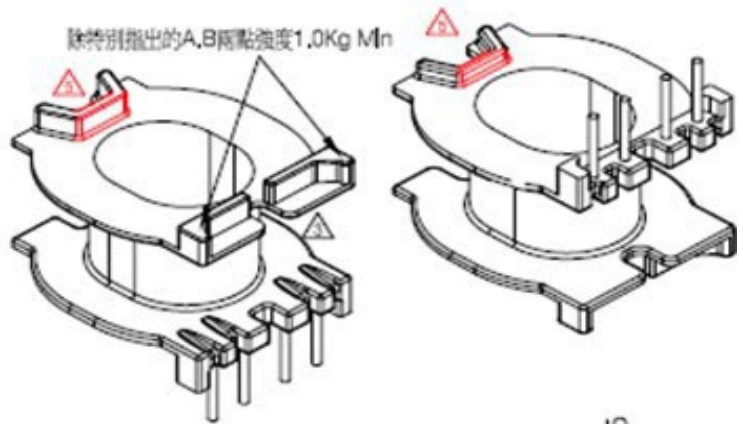
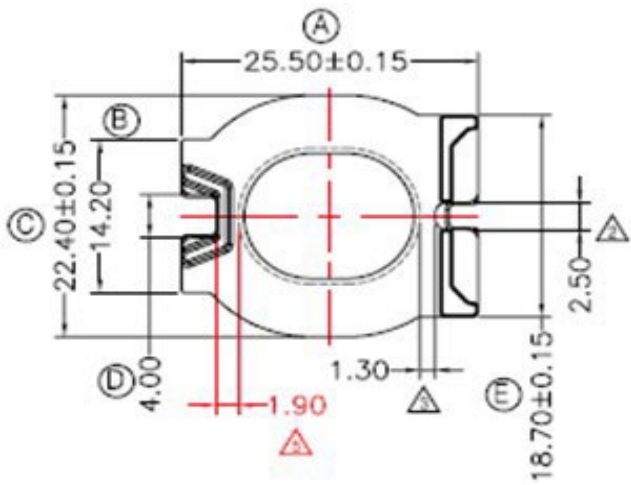


Dimensions in mm

Tolerances: 0<L≤4 ±0.2; 4<L≤16 ±0.3; 16<L≤63 ±0.4		Pin Pitch: ± 0.2	UL Molder Certification:
Country of Origin: China	RoHS Certified: YES	Title: BOBBIN ATQ25-16 8 PIN HORIZONTAL	
Bobbin Material: PM-9630	TBI-238-09011.1106	Drawing Number: BATQ25-16-118CPH-TB-P3.7	
UL File: 41429	UL Rec: 94-V0	Pin Material: Steel Wire (CP)	
MH&W International Corp Phone 201-891-8800 Email: sales@mhw-intl.com		Pin Tension: 1.0Kgm min	Finish: matte Sn
		Part Number: BATQ25-16-118CPH-TB-P3.7	

BATQ27-18.4-114CPV-TB-P5.0

REV	DATE	DESCRIPTION	BY
-	2021/06/04	INITIAL ISSUE	dr



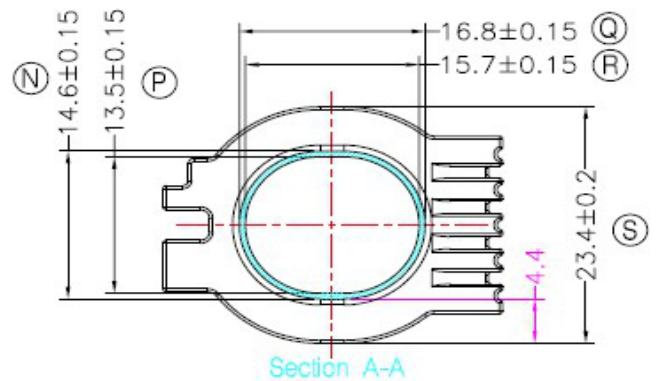
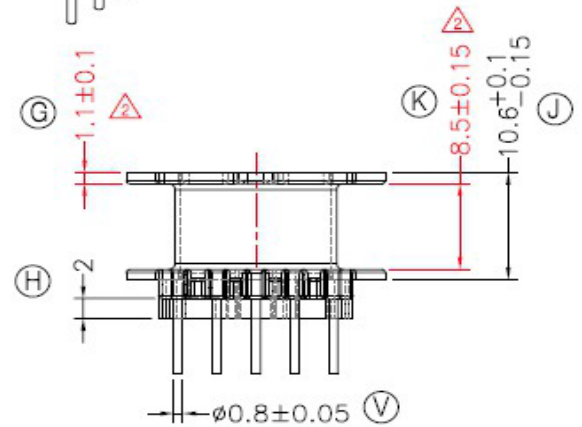
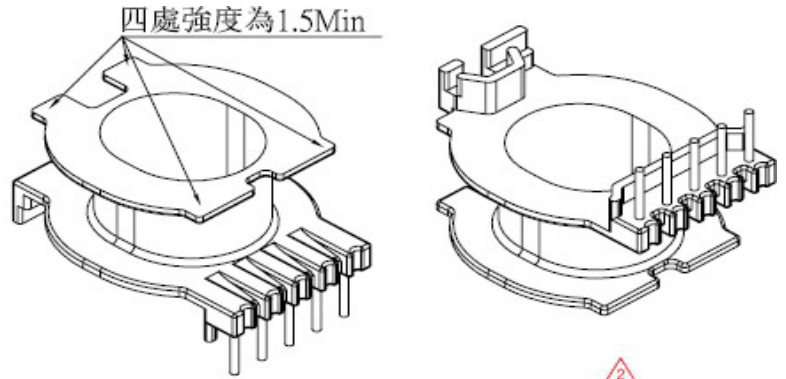
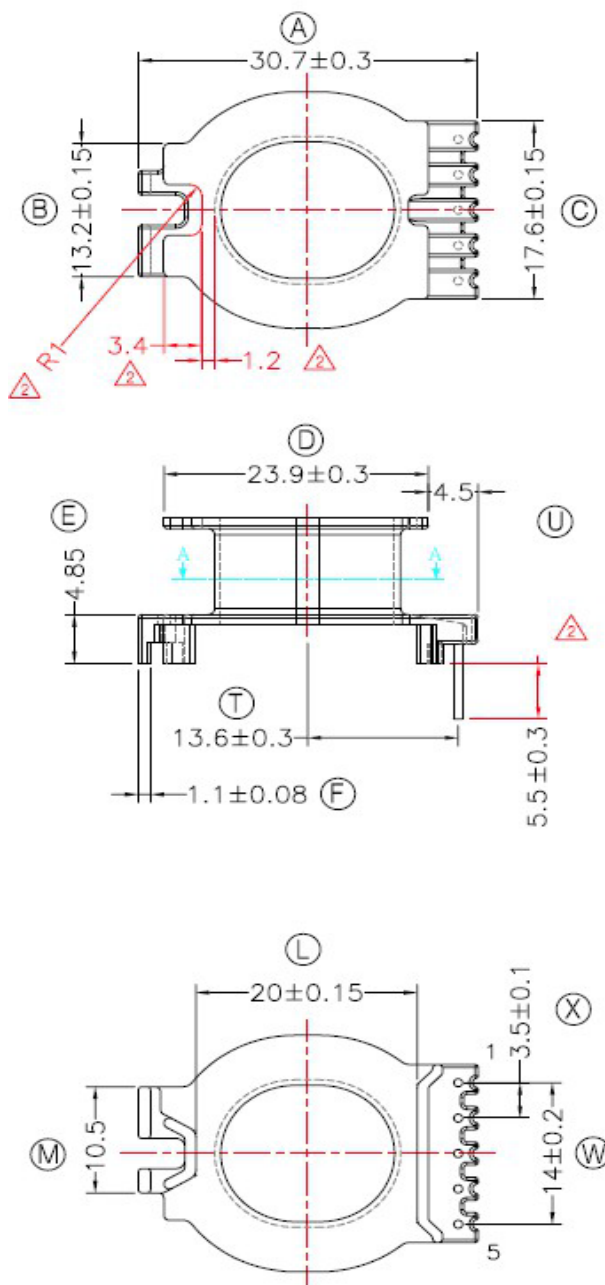
NOTE:
 1. 焊前拉力: 1.0Kg Min, 焊後拉力: 1.5Kg Min.
 2. 強度任意一點1.8Kg Min. (除特別指出的A,B兩點強度1.0Kg Min外)

Dimensions in mm

Tolerances: 0<L≤4 ±0.2; 4<L≤16 ±0.3; 16<L≤63 ±0.4		Pin Pitch: ±0.2	UL Molder Certification: E163831
Country of Origin: China	RoHS Certified: YES	Title: BOBBIN ATQ27-18.4 VERTICAL 4 PIN	
Bobbin Material: PM9630	TBI-238-03381.1206	Drawing Number: BATQ27-18.4-114CPV-TB-P5.0	
UL File: E41429	UL Rec: 94-V0	Pin Material: Steel Wire (CP)	
MH&W International Corp		Pin Tension: 1.0Kgm min	Finish: matte Sn
Phone 201-891-8800 Email: sales@mhw-intl.com		Part Number: BATQ27-18.4-114CPV-TB-P5.0	

BATQ28-18.3-115CPV-TB-P5.5

REV	DATE	DESCRIPTION	BY
-	2021/06/16	INITIAL ISSUE	dr



NOTE:

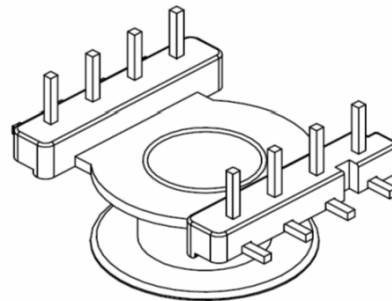
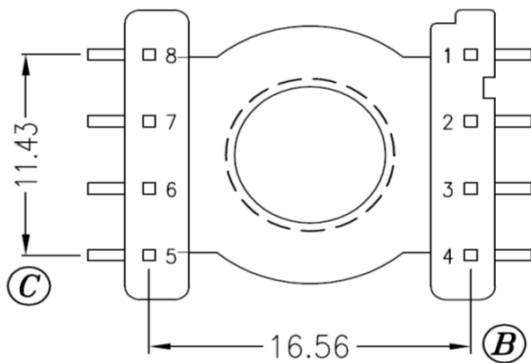
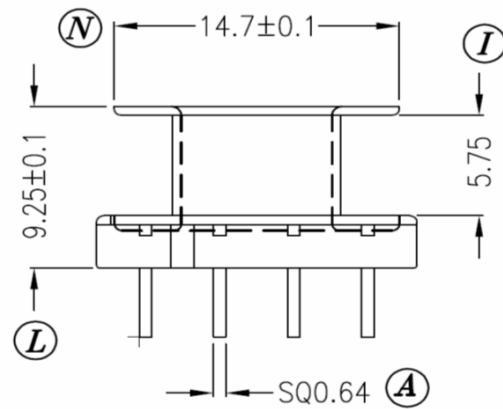
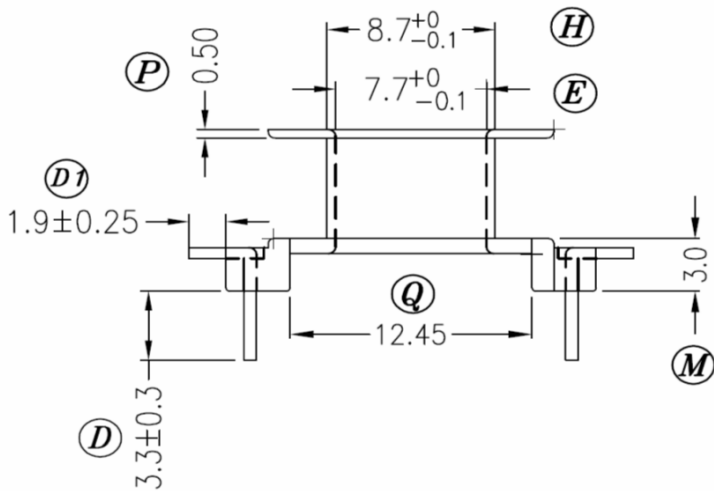
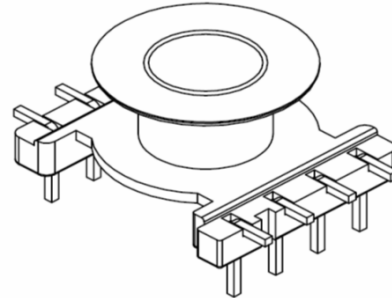
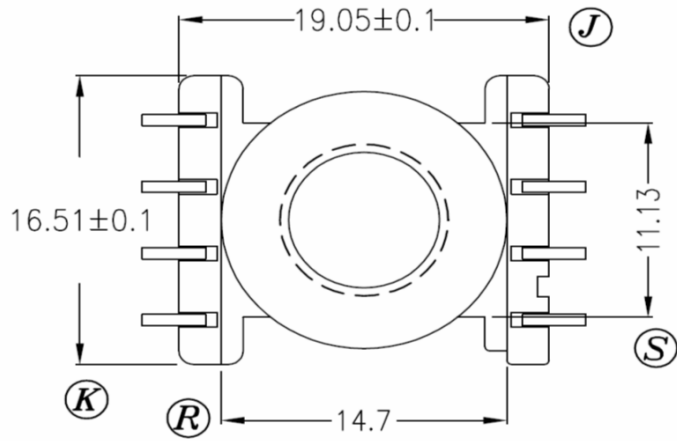
1. WINDING SPACE: 8.7mm*4.4mm=38.28mm²
2. 焊前拉力1.0kg Min 焊後拉力1.5kg Min;
3. 除特別指出處,任一點強度為1.8kg Min;

Dimensions in mm

Tolerances: 0<L≤4 ±0.2; 4<L≤16 ±0.3; 16<L≤63 ±0.4		Pin Pitch: ±0.2	UL Molder Certification:
Country of Origin: China	RoHS Certified: YES	Title: BOBBIN ATQ28-18.3 VERTICAL 5 PIN	
Bobbin Material: PM-9820	TBI-238-07201.1206	Drawing Number: BATQ28-18.3-115CPV-TB-P5.5	
UL File: 41429	UL Rec: 94-V0	Pin Material: Steel Wire (CP)	
MH&W International Corp Phone 201-891-8800 Email: sales@mhw-intl.com		Pin Tension: 1.0Kgm min	Finish: matte Sn
		Part Number: BATQ28-18.3-115CPV-TB-P5.5	

BC 18/11-118CP-P-SQ3.3

Revisions		
-	2015/09/22	Initial Issue
		gvs



Note: Bobbin for 18x11 Cut Core EPCOS PTS18/11

Dimensions in mm

Inventory #: P-1804-1-SQ3.3	Pin Pitch ± 0.3 mm	Tolerances: 0<L≤4 ±0.2; 4<L≤16 ±0.3; 16<L≤63 ±0.4
Country of Origin: China	RoHS Certified: YES	Molder Certification: E163831
Bobbin Material: Phenolic Sumitomo PM9630		Drawing Number: BC 18_11-118CP-P-SQ3.3
UL File: E41429	UL Rec: 94-V0	Pin Material: Steel Wire (CP)
MH&W International Corp		Pin Tension: 0.9 Kgm min
Phone 201-891-8800 Email: sales@mhw-intl.com		Finish: Matte Sn
Part Number: BC 18/11-118CP-P-SQ3.3		

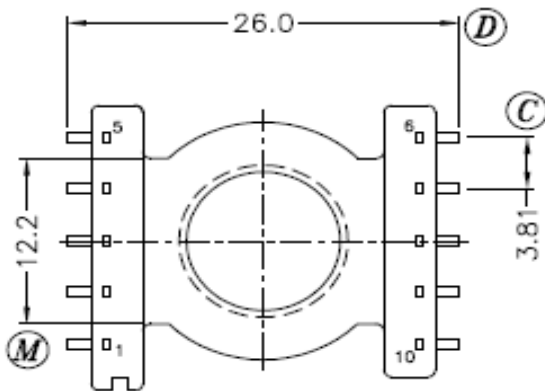
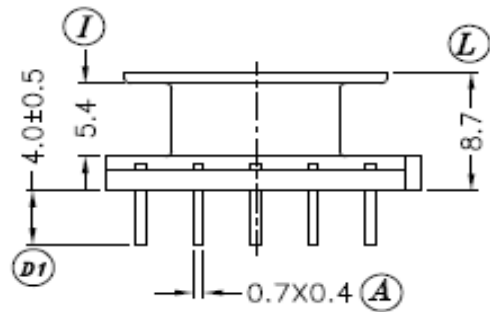
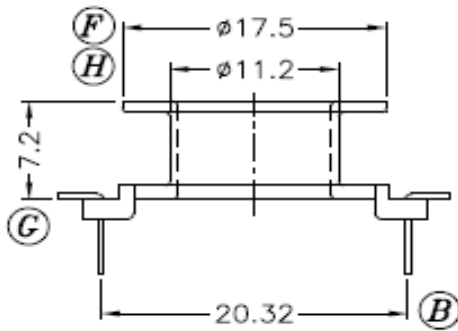
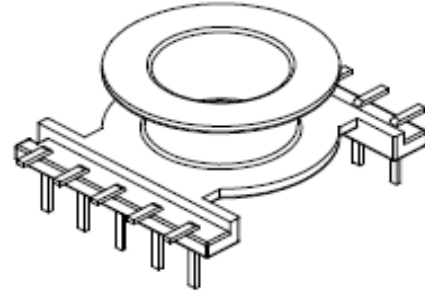
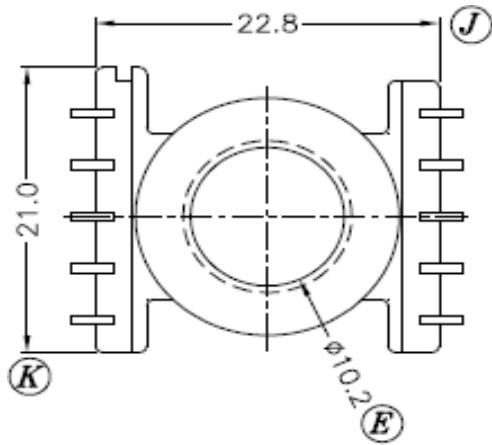
BC 23/11-1110CP-4.0-PM9820

Revisions

2019/08/05

INITIAL ISSUE

dr



Dimensions in mm

Pin Pitch: ±0.2

UL Molder Certification: F163831

Country of Origin: China

RoHS Certified: YES

Tolerances: 0<l<4 +0.2; 4<l<16 +0.3; 16<l<63 +0.4

Bobbin Material: PHENOLIC PM9820

Drawing Number: BC 23_11-1110CP-4.0-PM9820

UL File: F41429

UL Rec: 94-V0

P-2301

Pin Material: Steel Wire (CP)

MH&W International Corp

Pin Tension: 1.5Kgm min

Finish: matte Sn

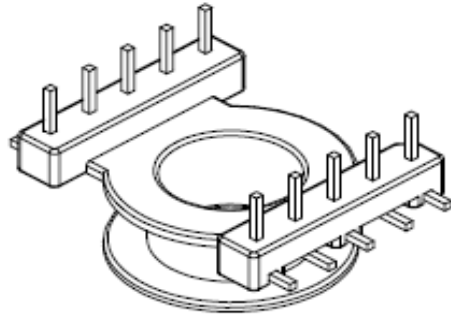
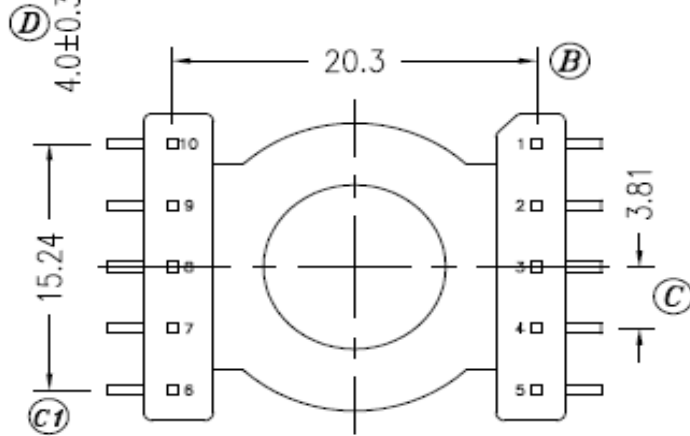
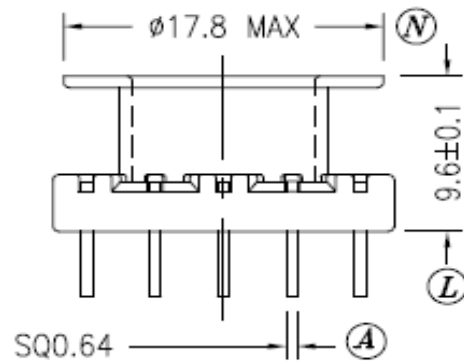
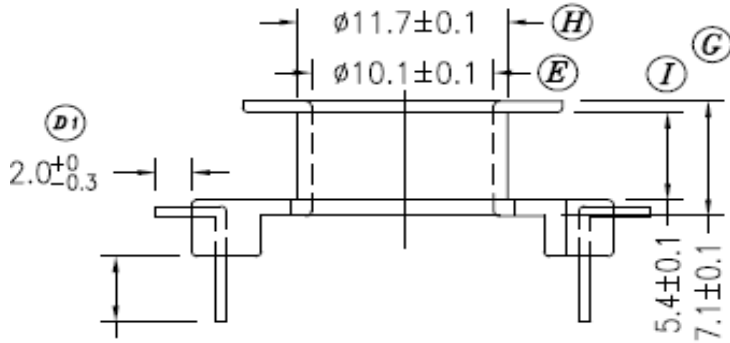
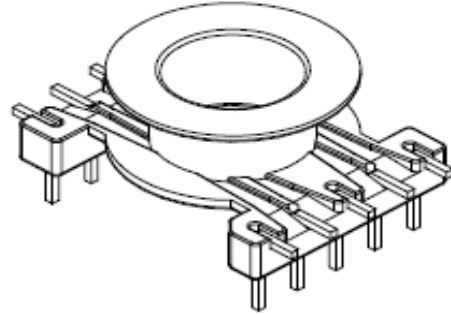
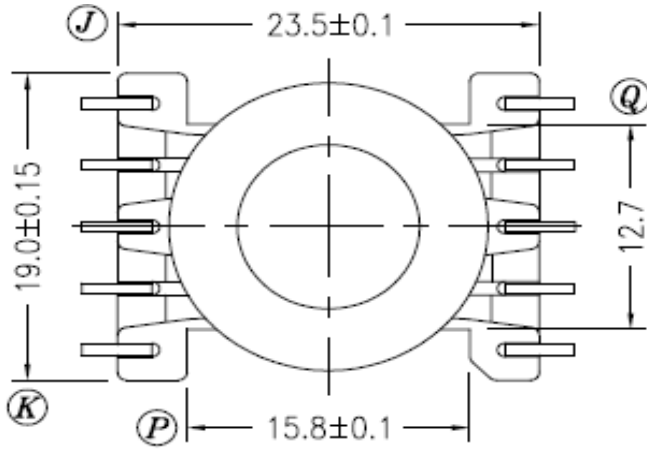
Phone 201-891-8800 Email: sales@mhw-intl.com

Part Number: BC 23/11-1110CP-4.0-PM9820

BC 23/11-1110CP-P-4.0-PM9630

Revisions

2019/08/05	INITIAL ISSUE	dr
------------	---------------	----



B-070.101P(B-070)

Dimensions in mm

Pin Pitch: ±0.2

Country of Origin: China

RoHS Certified: YES

Bobbin Material: PHENOLIC PM9630

UL File: E41429

UL Rec: 94-V0

P-2302

MH&W International Corp

Phone 201-891-8800 Email: sales@mhw-intl.com

UL Molder Certification: E163831

Tolerances: 0<l<4 +0.2; 4<l<16 +0.3; 16<l<63 +0.4

Drawing Number: BC 23_11-1110CP-P-4.0-PM9630

Pin Material: Steel Wire (CP)

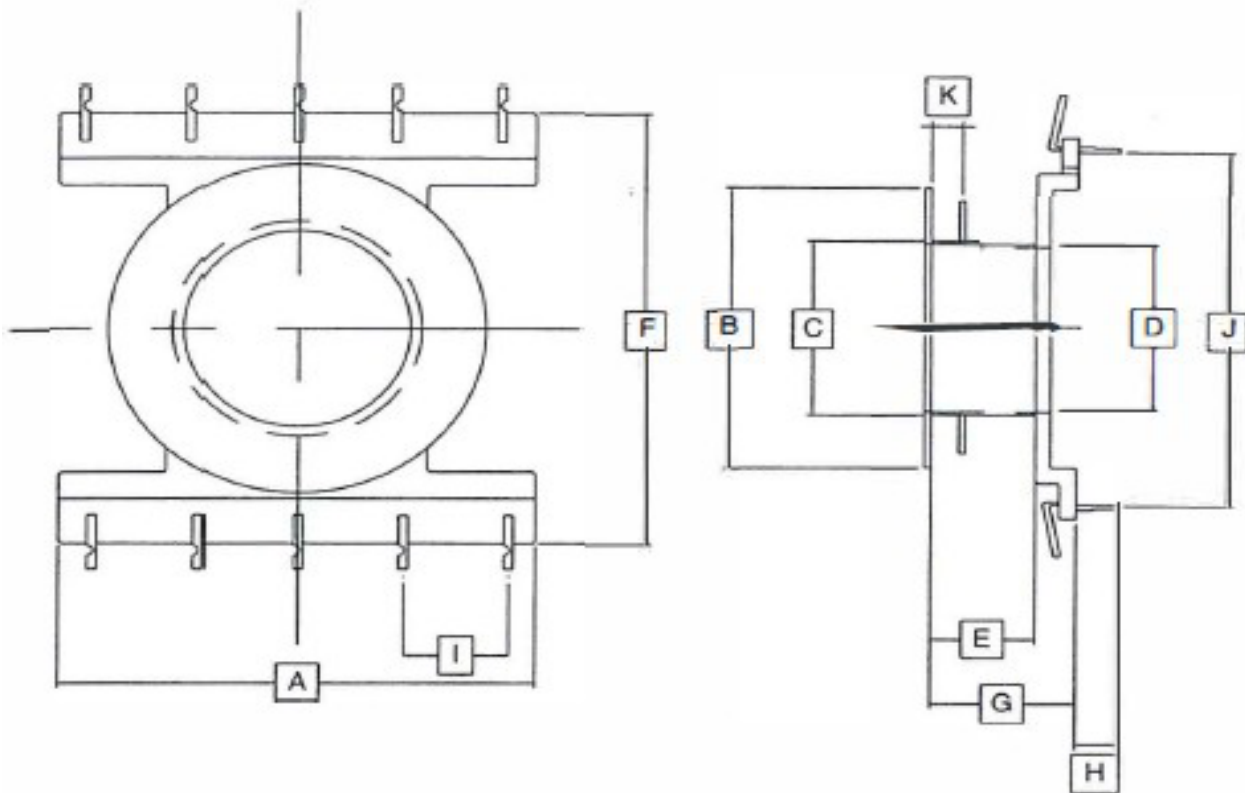
Pin Tension: 1.5Kgm min

Finish: matte Sn

Part Number: BC 23/11-1110CP-P-4.0-PM9630

BC 23/11-5110T FR

REV	DATE	DESCRIPTION	BY
-	2021/06/30	INITIAL ISSUE	dr
1	2021/10/14	CORRECTED B,C & F DIM. TO MATCH TOOL.	dr



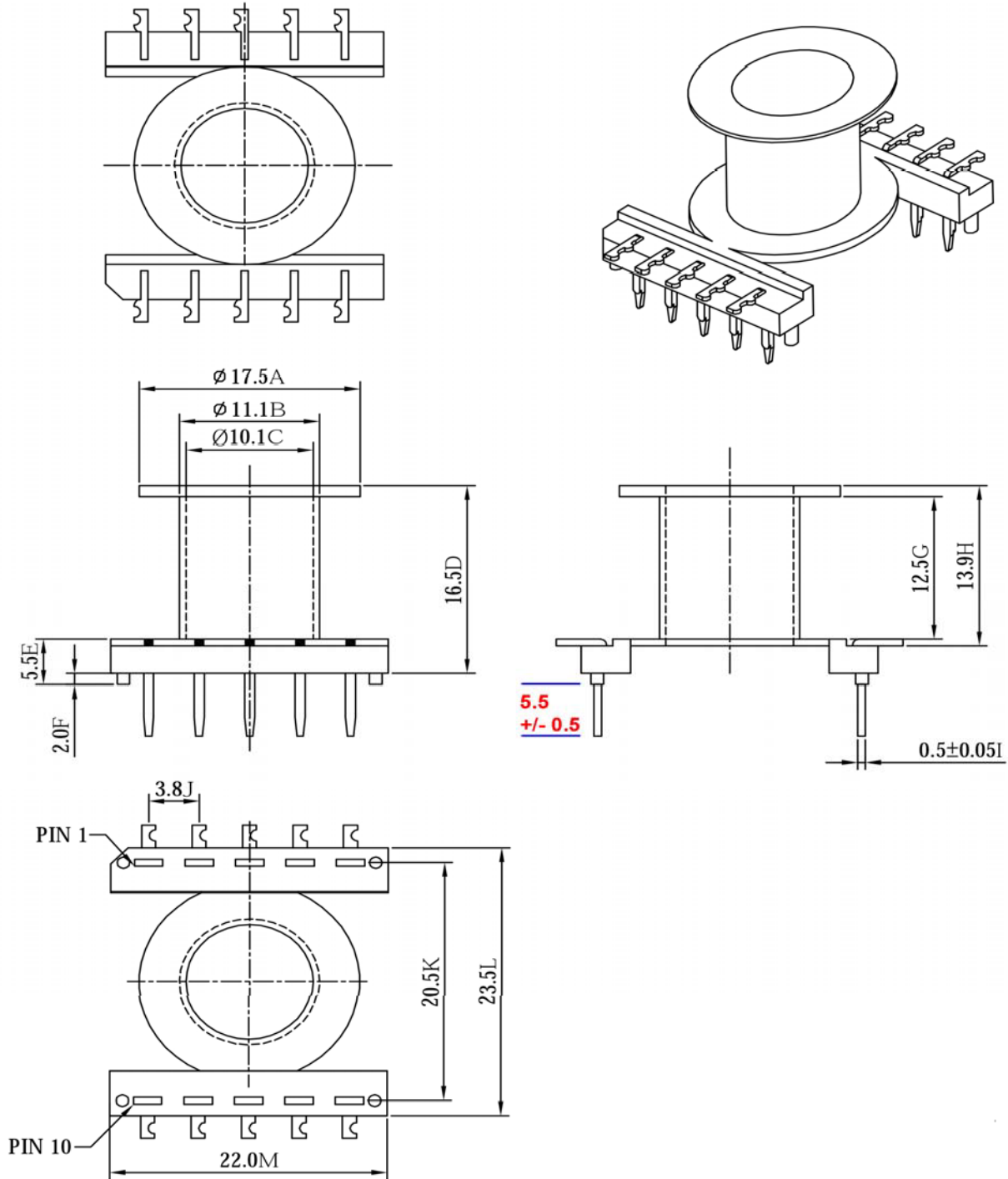
A	B	C	D	E	F	G	H	I	J	K
MAX.	MAX.	MIN.	MIN.	Nom..	MAX.	MAX.	Nom..	Nom..	Nom.	NA
0.770	0.690	0.440	0.395	0.203	0.900	0.300	0.220	0.150	0.800	NA

Dimensions in inches

Tolerances: 0<L≤4 ±0.2; 4<L≤16 ±0.3; 16<L≤63 ±0.4		Pin Pitch: ± 0.2	UL Molder Certification: A1716
Country of Origin: USA		RoHS Certified: YES	Title: BOBBIN CUT CORE 2311 10 PIN
Bobbin Material: FR50		Drawing Number: BC 23/11-5110T FR	
UL File: E41938	UL Rec: 94-V0	P2311-S FR	Pin Material: Alloy 260 Phosphor Bronze (PB)
MH&W International Corp		Pin Tension: NA	Finish: matte Sn
Phone 201-891-8800 Email: sales@mhw-intl.com		Part Number: BC 23/11-5110T FR	

BC 23/18-8110DS-S-P5.5

Revisions			
-	2017/04/27	Temporary Drawing	gvs

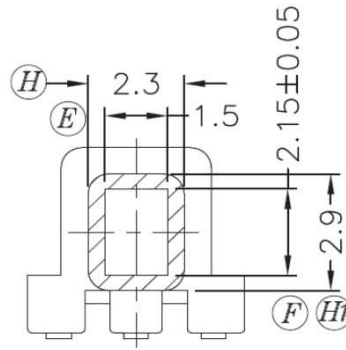
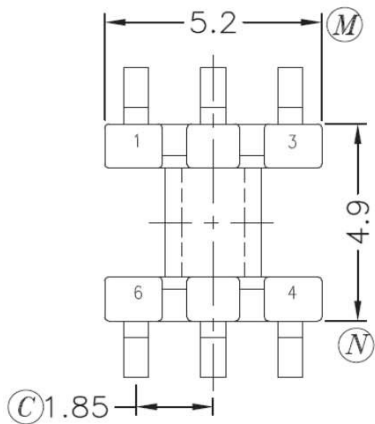
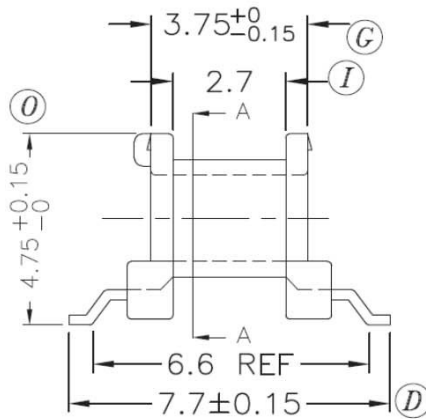
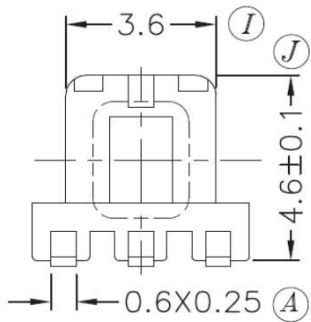
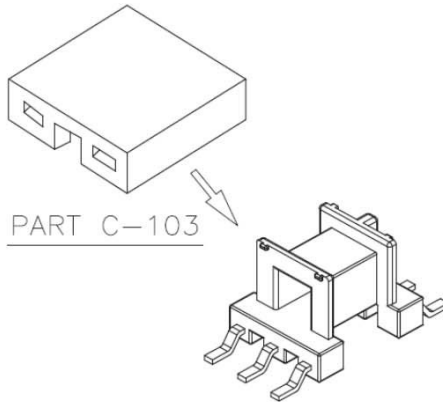
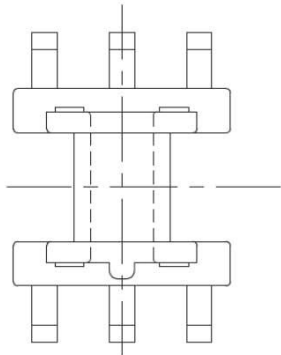


Dimensions in mm

Tolerances: $0 < L \leq 4: \pm 0.2$ $4 < L \leq 16: \pm 0.3$ $16 < L \leq 63: \pm 0.4$		Pin Pitch Tol: ± 0.2 : Pin Length tolerance: ± 0.5	
Inv Number: POT23/18-P5.5		RoHS Certified: YES	
UL File:		UL Rec: 94-V0	
Bobbin Material: PET		UL Molder Certification: E149570	
MH&W International Corp		Drawing Number: BC 23_18-8110DS-S-P5.5	
Phone 201-891-8800 Email: sales@mhw-intl.com		Pin Material: Phosphor Bronze (DS)	
		Pin Tension: 1.5Kgm min	
		Finish: matte Sn	
		Part Number: BC 23/18-8110DS-S-P5.5	

BE 05-116GADS-P

--	--



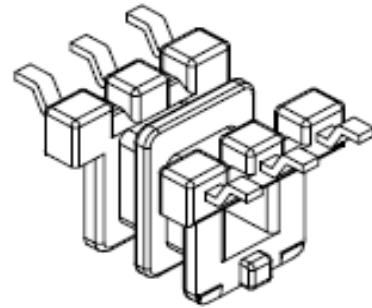
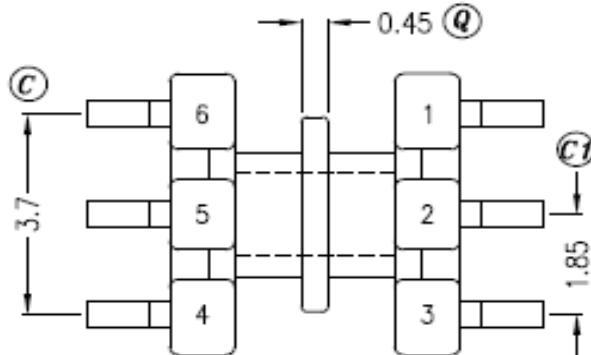
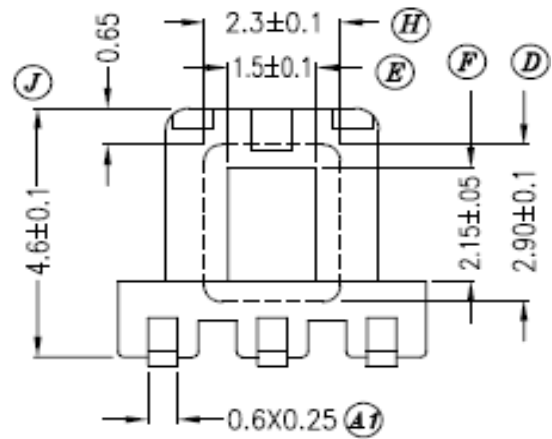
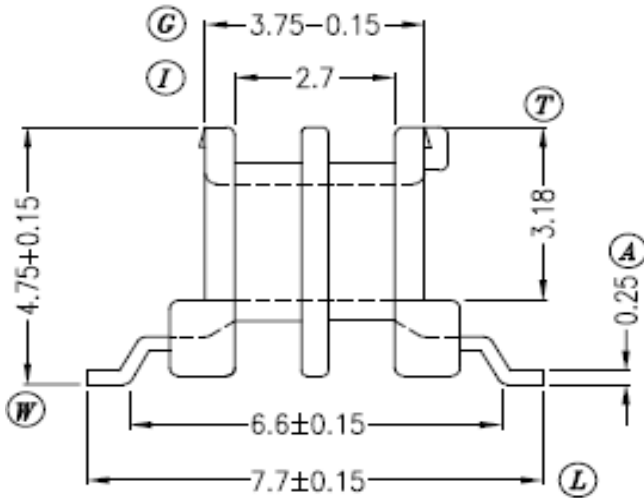
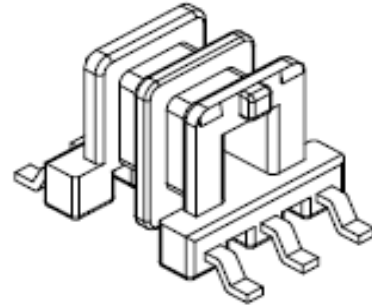
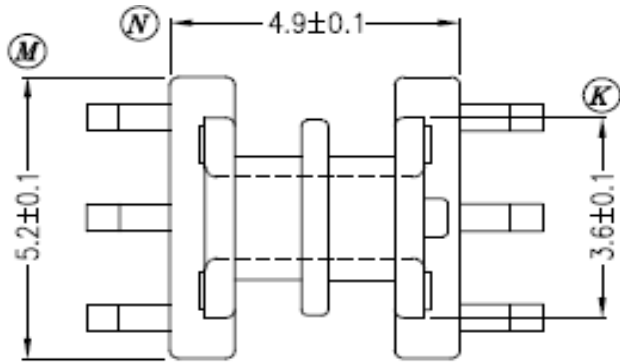
SEC. A-A

Dimensions in mm

Country of Origin: China	RoHS Certified: YES	UL Molder Certificaiton: E163831
Bobbin Material: Sumitomo PM9630	Drawing Number: BE 05-116GADS-P	
UL File: E41429	UL Rec: 94-V0	S-504
Pin Material: Phospher Bronze (DS)		Pin Tension: 0.9Kgm min
Finish: Tin		Part Number: BE 05-116GADS-P
MH&W International Corp Phone 201-891-8800 Email: sales@mhw-intl.com		

BE 05-126GADS-P

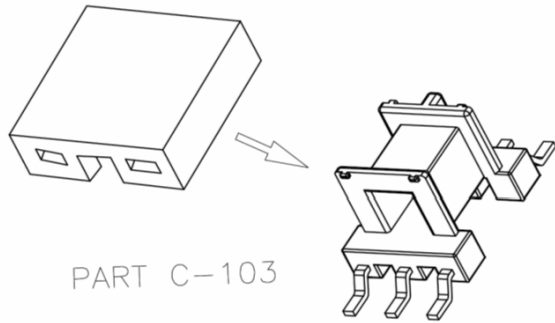
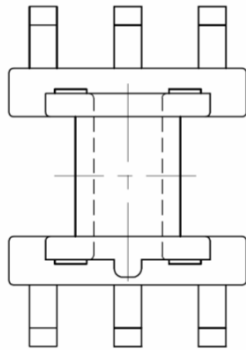
REV	DATE	DESCRIPTION	BY
-	2021/06/16	INITIAL ISSUE	dr



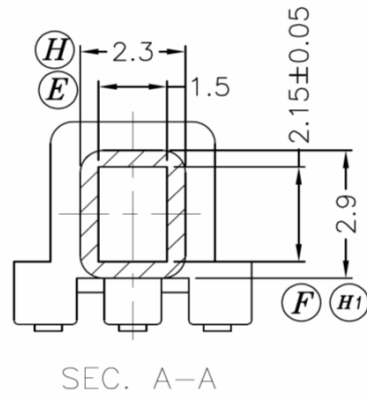
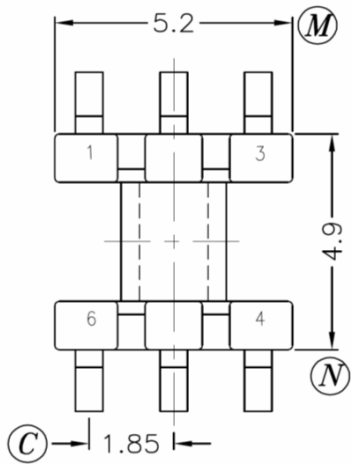
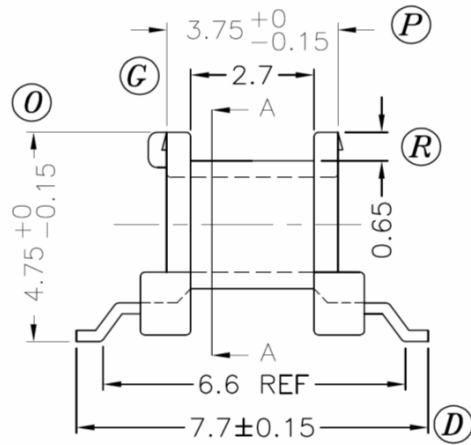
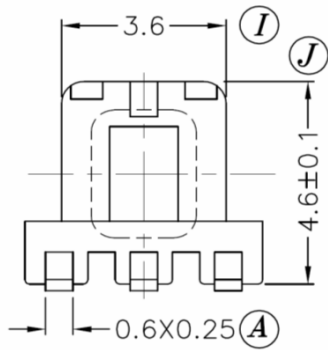
Dimensions in mm

Tolerances: 0<L≤4 ±0.2; 4<L≤16 ±0.3; 16<L≤63 ±0.4		Pin Pitch: ± 0.2	UL Molder Certification: E163831
Country of Origin: China	RoHS Certified: YES	Title: SMD BOBBIN EE-5 2 SECTION	
Bobbin Material: PHENOLIC SUMITOMO PM-9630		Drawing Number: BE 05-126GADS-P	
UL File: E41429	UL Rec: 94-V0	S-501-1	Pin Material: Phospher Bronze (DS)
MH&W International Corp		Pin Tension: 0.9Kgm min	Finish: matte Sn
Phone 201-891-8800 Email: sales@mhw-intl.com		Part Number: BE 05-126GADS-P	

BE 05-L16GADS-P



PART C-103



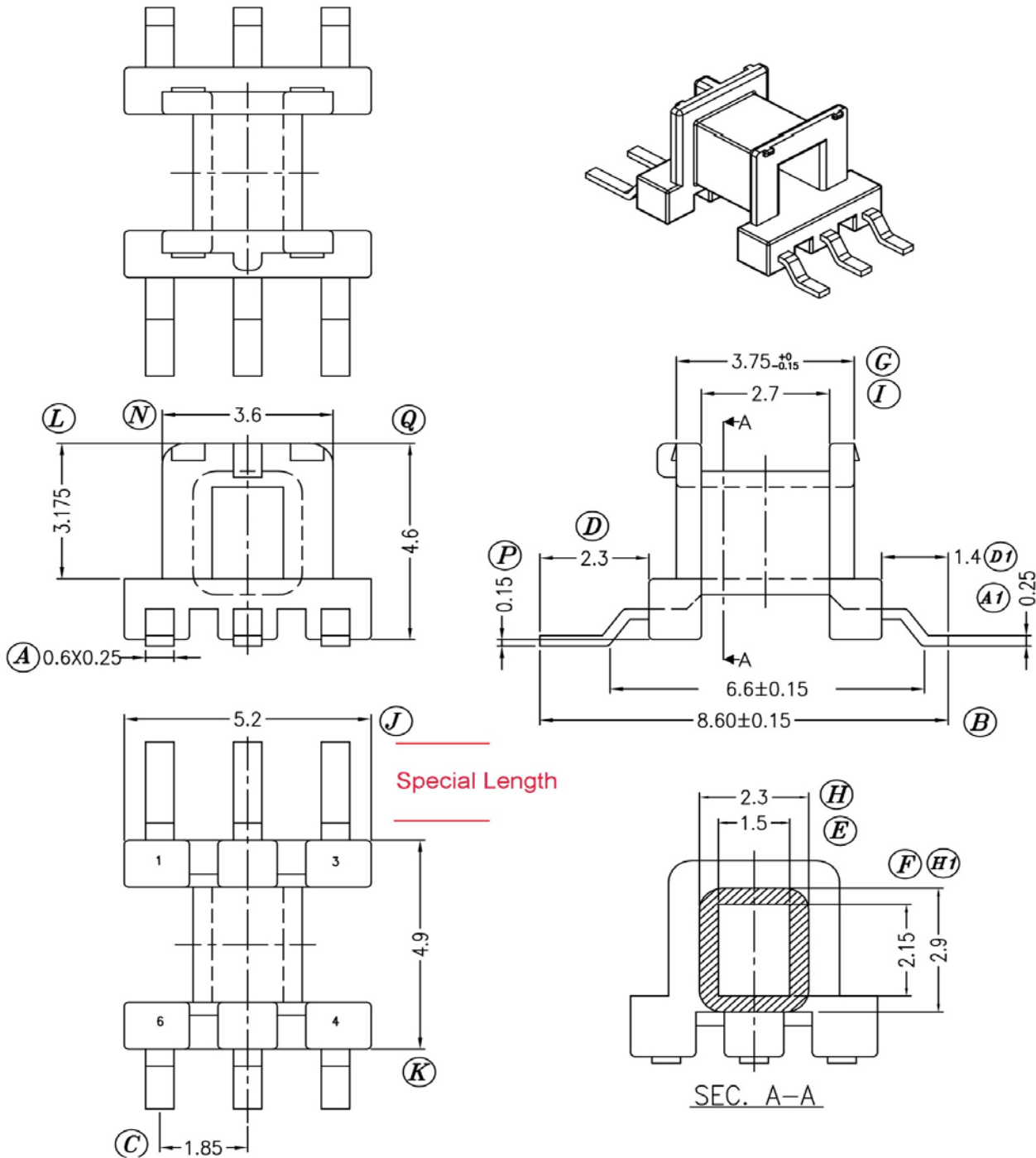
SEC. A-A

Dimensions in mm

Country of Origin: China	RoHS Certified: YES	UL Molder Certification: E163831
Bobbin Material: Sumitomo E4008 (k) (LCP)		Drawing Number: BE 05-L16GADS-P
UL File: E54705	UL Rec: 94-V0	S-502-2
Pin Material: Phospher Bronze (DS)		Finish: Sn
MH&W International Corp		Part Number: BE 05-L16GADS-P
Phone 201-891-8800 Email: sales@mhw-intl.com		

BE 05-L16GADS-P-P8.6

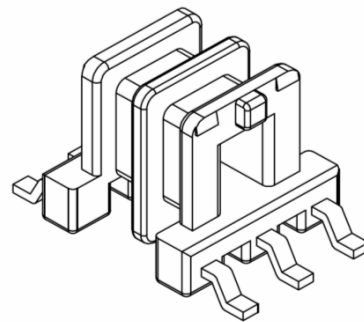
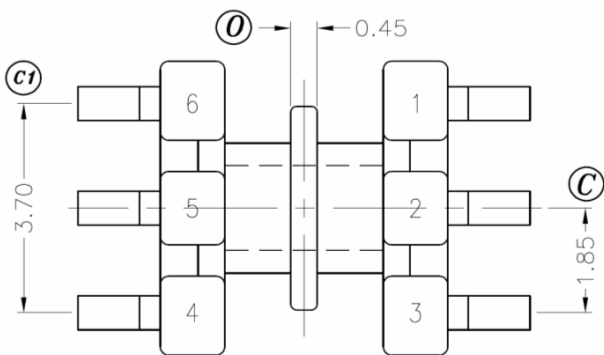
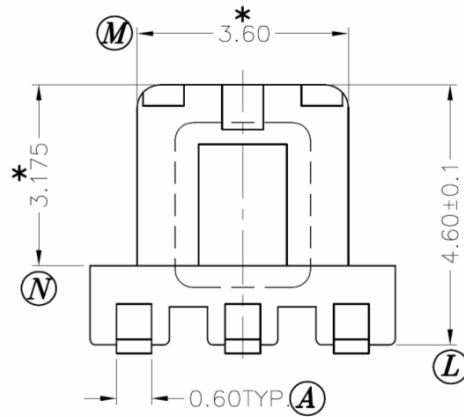
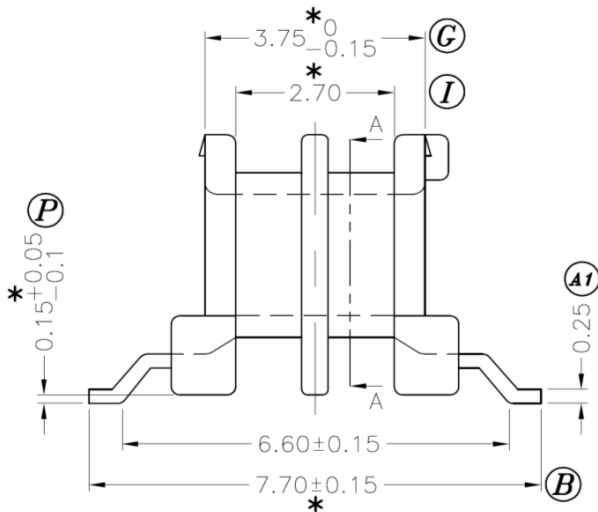
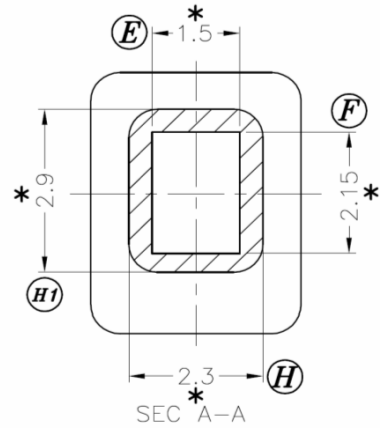
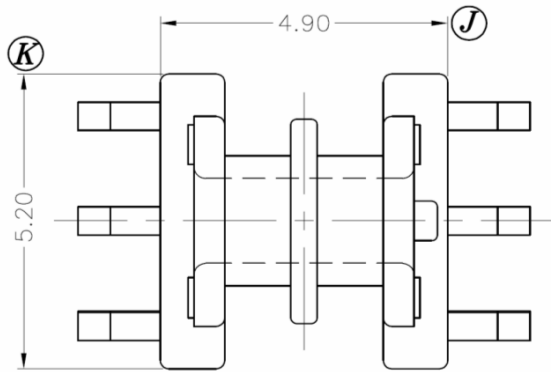
Revisions			
-	2015/12/01	Initial Issue	gvs



Tolerances: 0<L≤4 ±0.2; 4<L≤16 ±0.3; 16<L≤63 ±0.4		Pin Pitch: ± 0.2	Dimensions in mm
Country of Origin: China	RoHS Certified: YES	UL Molder Certification: E163831	
Bobbin Material: Sumitomo E4008 (k) (LCP)		Drawing Number: BE 05-L16GADS-P-P8.6	
UL File: E54705	UL Rec: 94-V0	S-502-1	Pin Material: Phospher Bronze (DS)
MH&W International Corp			Finish: Sn
Phone 201-891-8800 Email: sales@mhw-intl.com			Part Number: BE 05-L16GADS-P-P8.6

BE 05-L26GADS-P

--	--

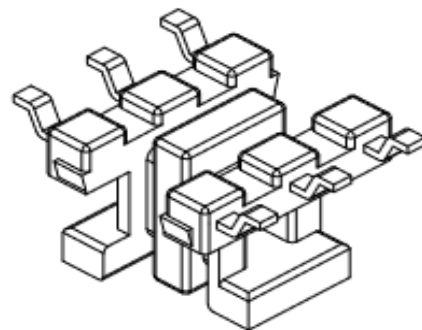
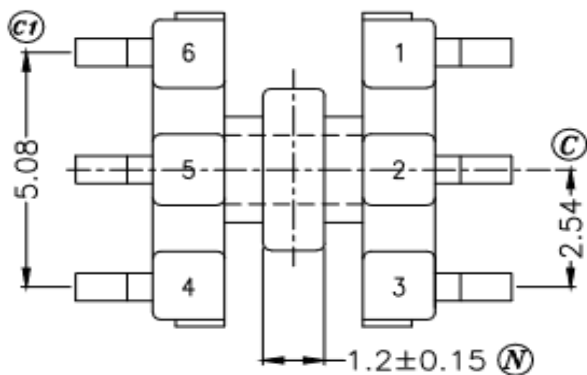
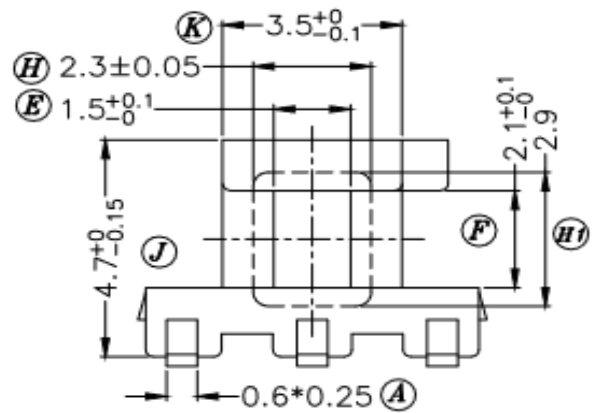
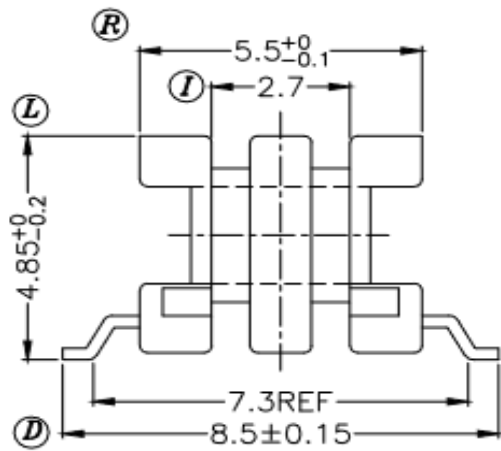
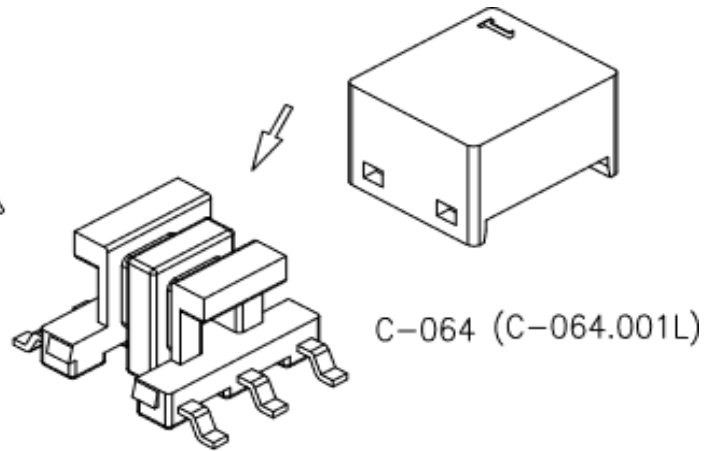
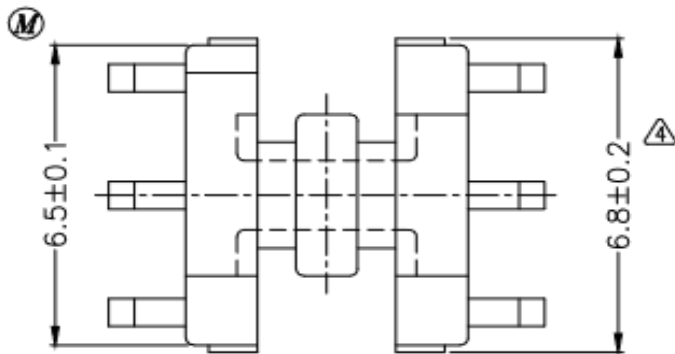


Dimensions in mm

Country of Origin: China		RoHS Certified: YES	
Bobbin Material: Sumitomo E4008 (k) (LCP)		Drawing Number: BE 05-L26GADS-P	
UL File: E54705	UL Rec: 94-V0	S-501	Pin Material: Phosphor Bronze (DS)
MH&W International Corp		Pin Tension: 0.9 Kgm min	Finish: Tin
Phone 201-891-8800 Email: sales@mhw-intl.com		Part Number: BE 05-L26GADS-P	

BE 06.3-L26GADS-P

REV	DATE	DESCRIPTION	BY
-	2024/08/13	INITIAL ISSUE	dr

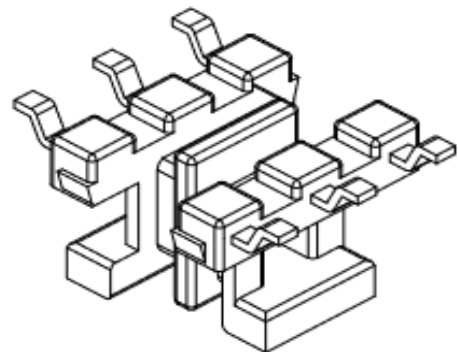
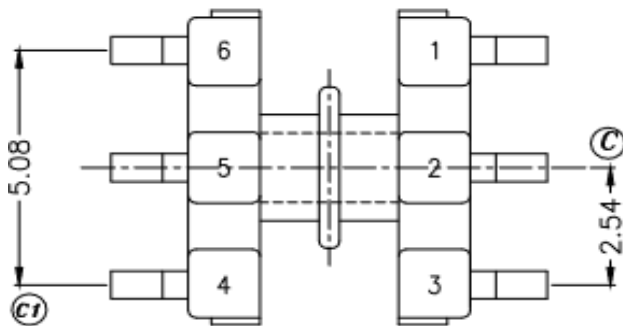
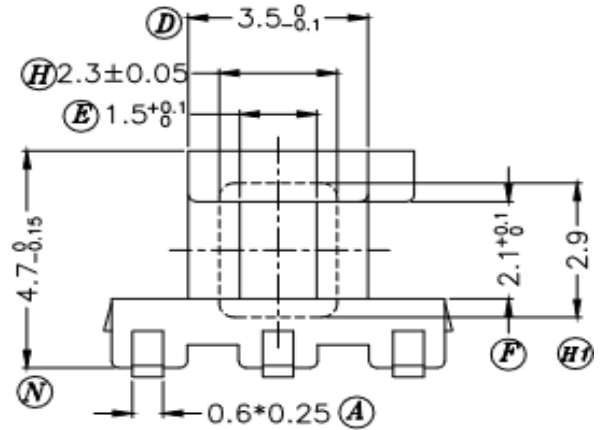
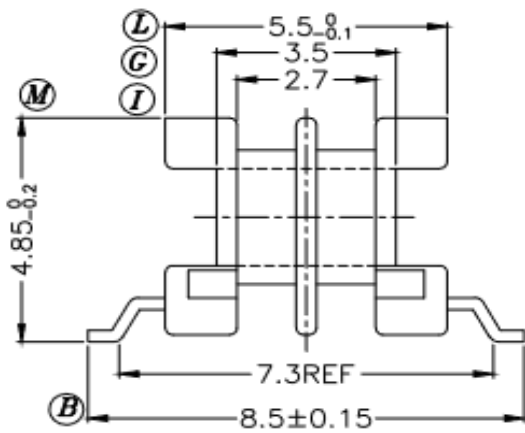
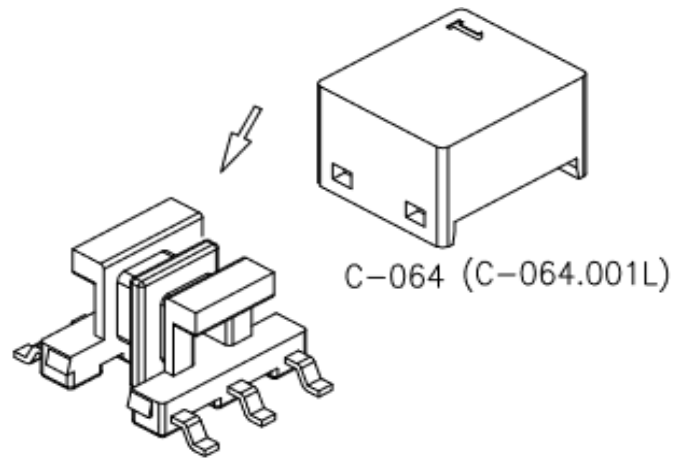
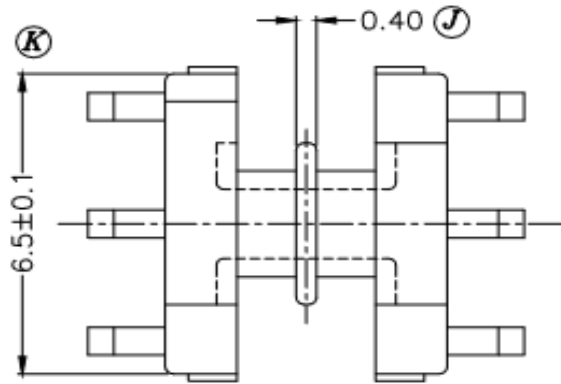


Dimensions in mm

Tolerances: 0<L≤4 ±0.2; 4<L≤16 ±0.3; 16<L≤63 ±0.4		Pin Pitch: ± 0.2	UL Molder Certification: E163831
Country of Origin: China	RoHS Certified: YES	Title: SMD BOBBIN EE-6.3 2 SECTION	
Bobbin Material: LCP Sumitomo E4008		Drawing Number: BE 06.3-L26GADS-P	
UL File: E54705	UL Rec: 94-V0	S-605	Pin Material: Phospher Bronze (DS)
MH&W International Corp Phone 201-891-8800 Email: sales@mhw-intl.com		Pin Tension: 1.0Kgm min	Finish: matte Sn
		Part Number: BE 06.3-L26GADS-P	

BE 06.3-L26GADS-P-1

REV	DATE	DESCRIPTION	BY
-	2024/08/13	INITIAL ISSUE	dr

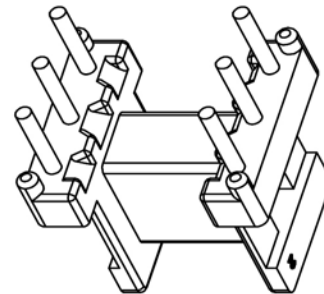
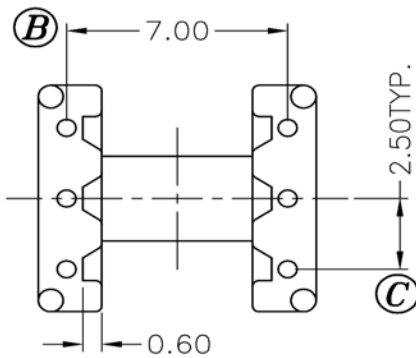
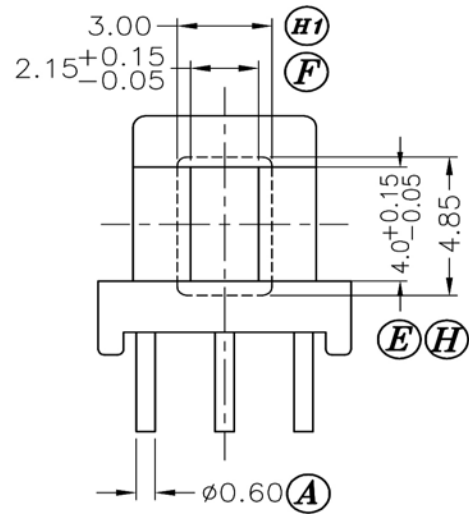
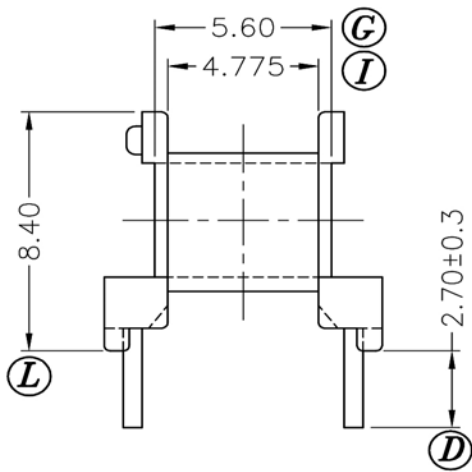
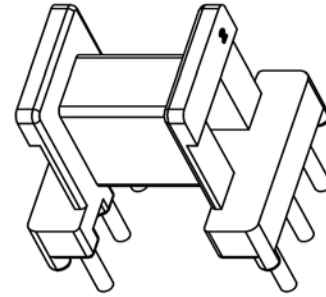
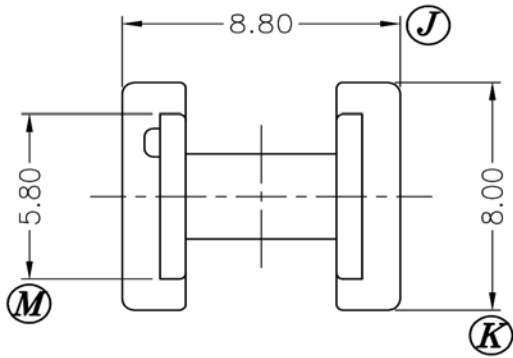


Dimensions in mm

Tolerances: $0 < L \leq 4 \pm 0.2$; $4 < L \leq 16 \pm 0.3$; $16 < L \leq 63 \pm 0.4$		Pin Pitch: ± 0.2	UL Molder Certification: E163831
Country of Origin: China	RoHS Certified: YES	Title: SMD BOBBIN EE-6.3 2 SECTION	
Bobbin Material: LCP Sumitomo E4008		Drawing Number: BE 06.3-L26GADS-P-1	
UL File: E54705	UL Rec: 94-V0	S-605-1	Pin Material: Phosphor Bronze (DS)
MH&W International Corp Phone 201-891-8800 Email: sales@mhw-intl.com		Pin Tension: 1.0Kgm min	Finish: matte Sn
		Part Number: BE 06.3-L26GADS-P-1	

BE 08-116CPH-P-P2.7

Revisions			
-	2014/02/01	Initial Issue	gvs



Ferrite Core: TDK-EE8/JIS-EE8.3

Tolerances: 0<L≤4 ±0.2; 4<L≤16 ±0.3; 16<L≤63 ±0.4

Pin Pitch: ± 0.2

Dimensions in mm

Country of Origin: China

RoHS Certified: YES

UL MOLDER CERTIFICATION: E163831

Bobbin Material: Phenolic Sumitomo PM9630

Drawing Number: BE 08-116CPH-P-P2.7

UL File: E41429

UL Rec: 94-V0

P-821

Pin Material: Steel Wire (CP)

MH&W International Corp

Pin Tension: 1.0Kgm min

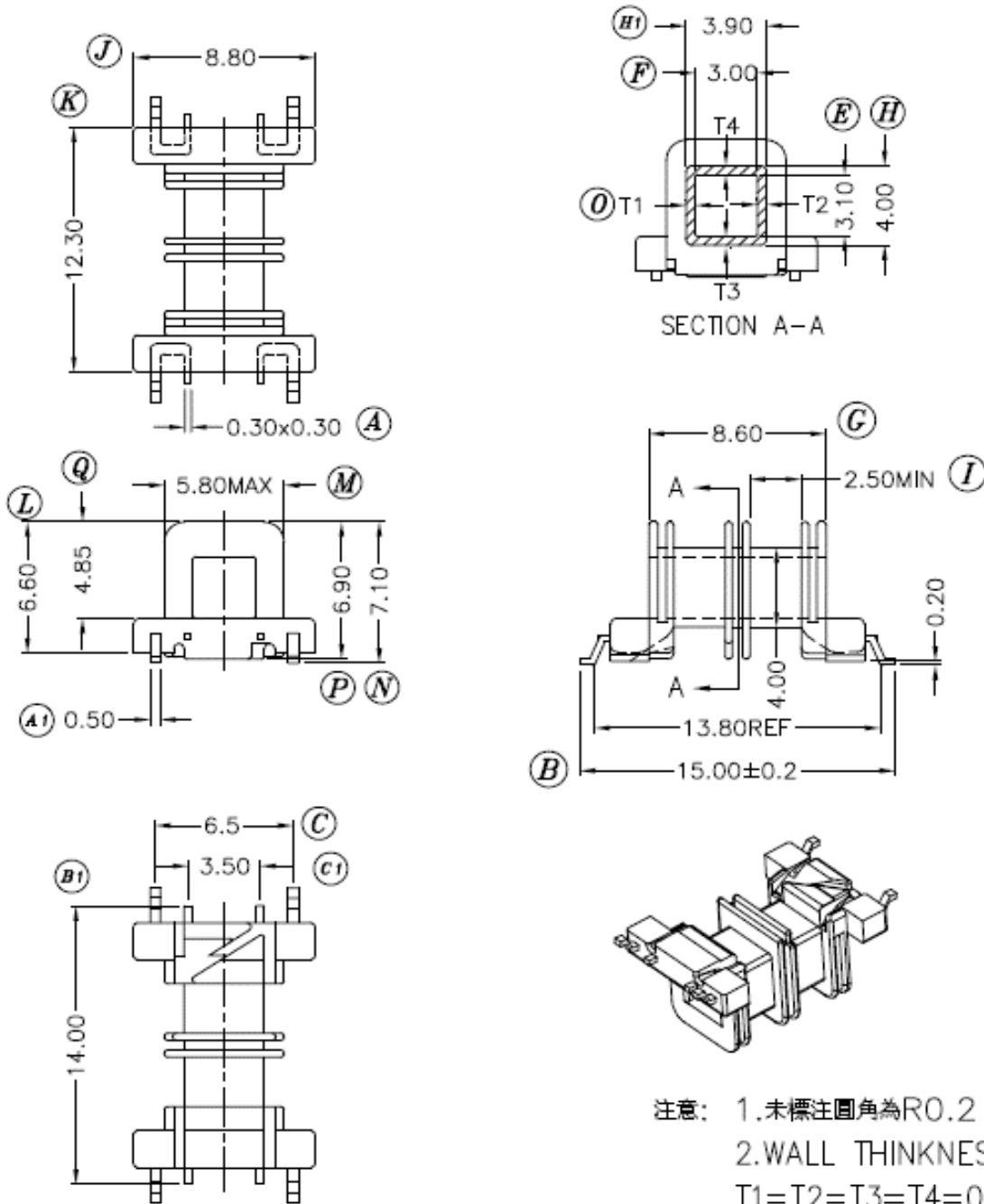
Finish: matte Sn

Phone 201-891-8800 Email: sales@mhw-intl.com

Part Number: BE 08-116CPH-P-P2.7

BE8.8-L34GADS-P

Revisions			
-	2018/02/26	INITIAL ISSUE	DR



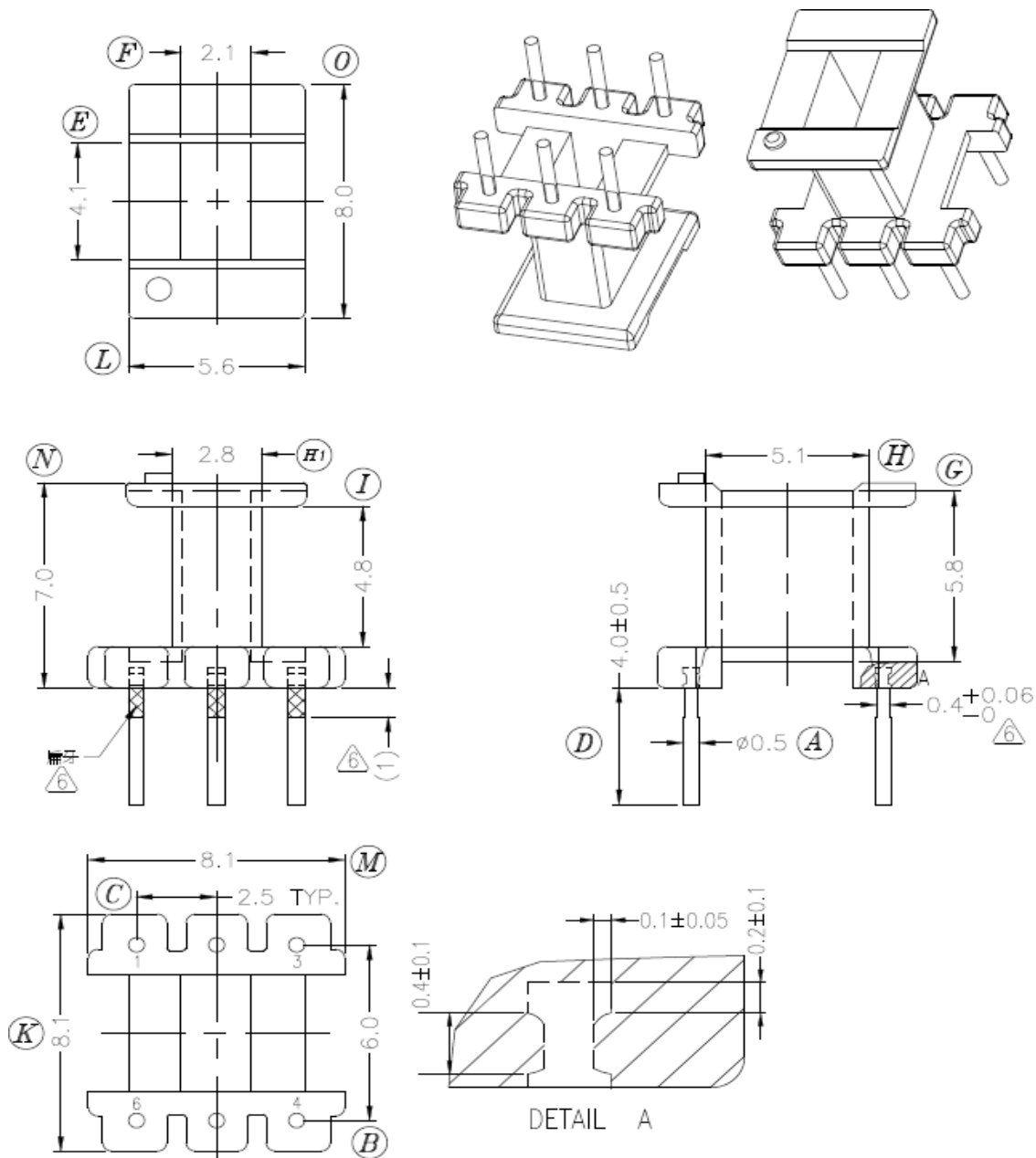
Dimensions in mm

Pin Pitch: ± 0.3		UL Molder Certification: E163831	
Country of Origin: China		RoHS Certified: YES	
Bobbin Material: Sumitomo E-4008 LCP		Tolerances: 0<L≤4 ±0.2; 4<L≤16 ±0.3; 16<L≤63 ±0.4	
UL File: E54705		Drawing Number: BE8.8-L34GADS-P	
UL Rec: 94-V0		Pin Material: PHOSPHOR BRONZE (DS)	
S-825		Pin Tension: 1.0Kgm min	
Finish: Matte Sn		Part Number: BE8.8-L34GADS-P	

MH&W International Corp
 Phone 201-891-8800 Email: sales@mhw-intl.com

BE 8.3-116CP-P-P4.0

REV	DATE	DESCRIPTION	BY
-	2023/05/08	INITIAL ISSUE	dr

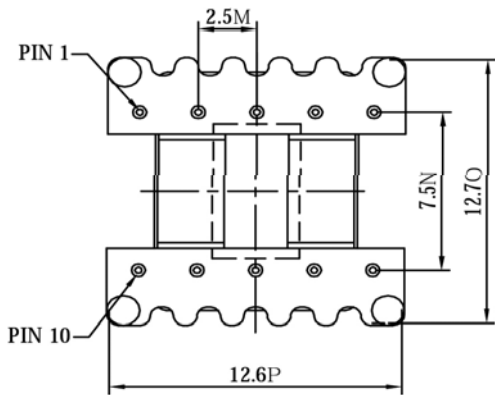
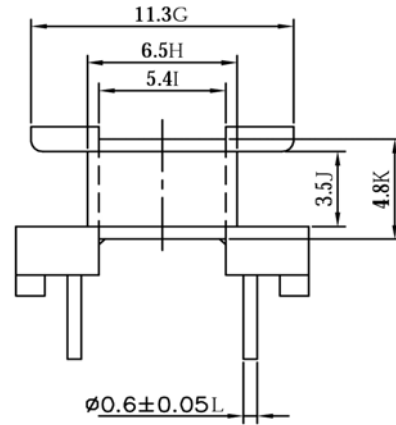
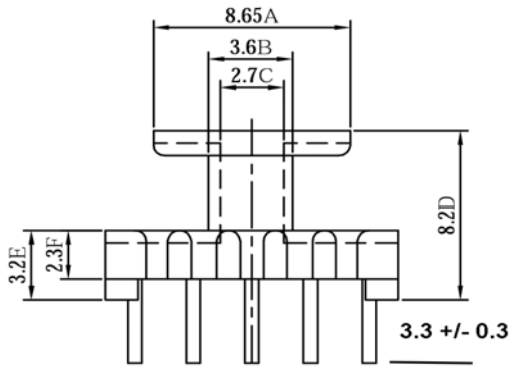
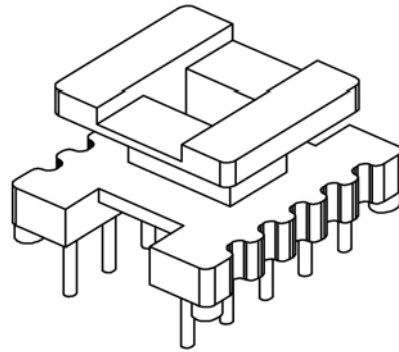
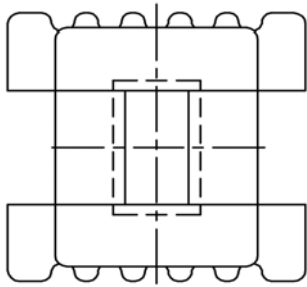


Note: 1. The thickness of the bobbin wall is 0.25mm MIN.
 2. There is another type of this bobbin without the flat area (-1).

Tolerances: $0 < L \leq 4 \pm 0.2$; $4 < L \leq 16 \pm 0.3$; $16 < L \leq 63 \pm 0.4$		Pin Pitch: ± 0.2	Dimensions in mm
Country of Origin: China	RoHS Certified: YES	Title:	BOBBIN EE-8.3 VERTICAL 6 PIN
UL Molder Certification: E163831			
Bobbin Material: Sumitomo PM9820JR BK		Drawing Number: BE 8.3-116CP-P-P4.0	
UL File: E41429	UL Rec: 94-V0	P-801	Pin Material: Steel Wire (CP)
MH&W International Corp Phone 201-891-8800 Email: sales@mhw-intl.com		Pin Tension: 0.7 Kgm min. Finish: Tin	
		Part Number: BE 8.3-116CP-P-P4.0	

BE 12.5-1110CP-P-P3.3

Revisions			
-	2017/01/15	Initial Issue	gvs



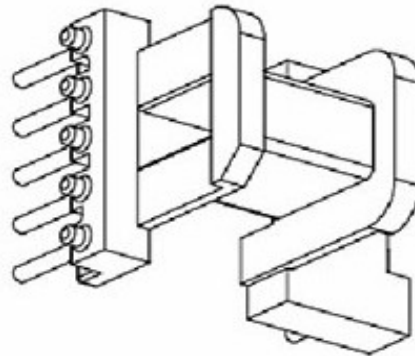
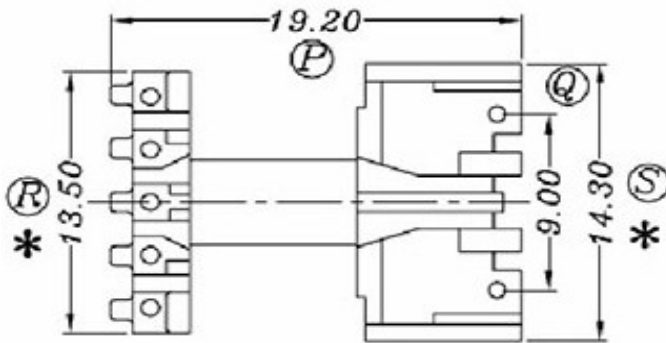
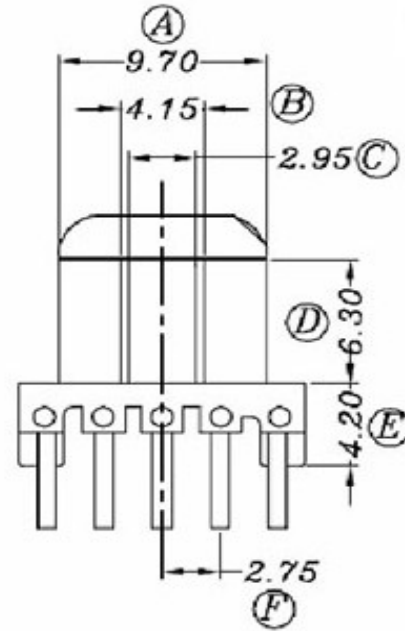
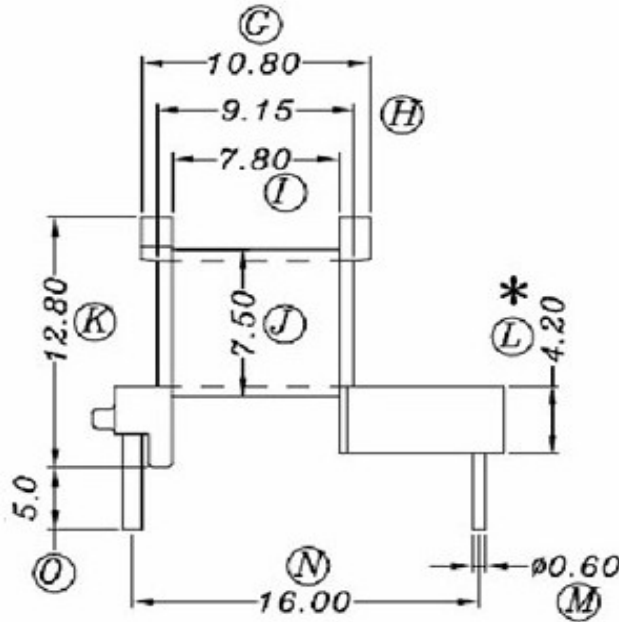
Dimensions in mm

Tolerances: $0 < L \leq 4$: ± 0.2 $4 < L \leq 16$: ± 0.3 $16 < L \leq 63$: ± 0.4		Pin Pitch Tol: ± 0.3 : Pin Length tolerance: ± 0.3	
Country of Origin: China		RoHS Certified: YES	
Bobbin Material: Chang Chung Plastics T375HF		UL Molder Certification: E149570	
UL File: E59481		Drawing Number: BE 12.5-1110CP-P-P3.3	
UL Rec: 94-V0		TF-12.5-P3.3	
Pin Material: Steel Wire (CP)		Pin Tension: 1.5Kgm min	
Finish: matte Sn		Part Number: BE 12.5-1110CP-P-P3.3	
MH&W International Corp Phone 201-891-8800 Email: sales@mhw-intl.com			

BE 13-1107CP-DG-P5.0

REVISIONS	DATE	DESCRIPTION	BY
-	2020/08/31	INITIAL ISSUE	dr

RoHS



Pin Pitch: ± 0.2

Dimensions in mm

Country of Origin: China

RoHS Certified: YES

Tolerances: $0 < L \leq 4 \pm 0.2$; $4 < L \leq 16 \pm 0.3$; $16 < L \leq 63 \pm 0.4$

Bobbin Material: PHENOLIC T375J

Drawing Number: BE 13-1107CP-DG-P5.0

UL File: E59481

UL Rec: 94-V0

YT-1320

Pin Material: Steel Wire (CP)

MH&W International Corp

Pin Tension: 1.5Kgm min

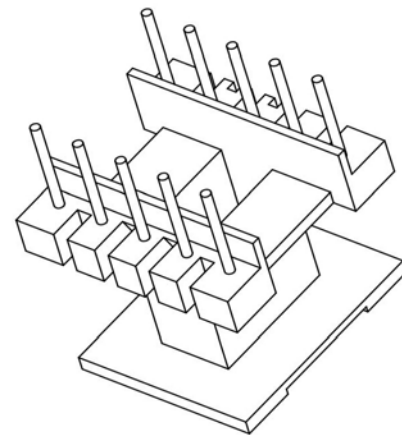
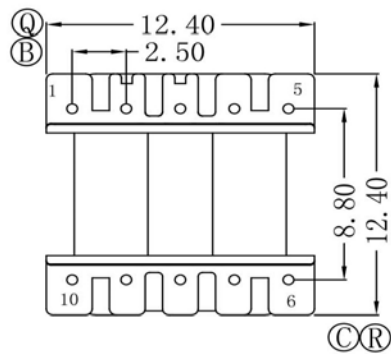
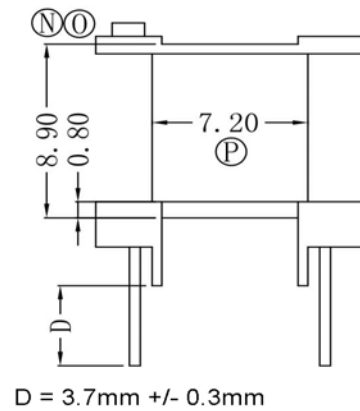
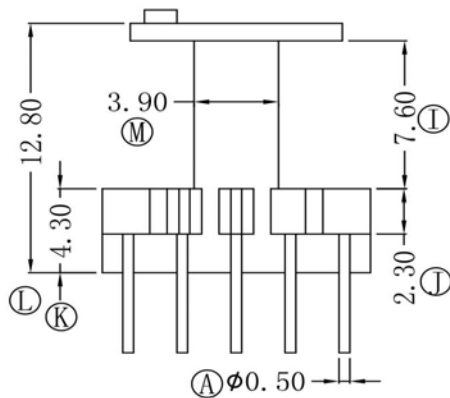
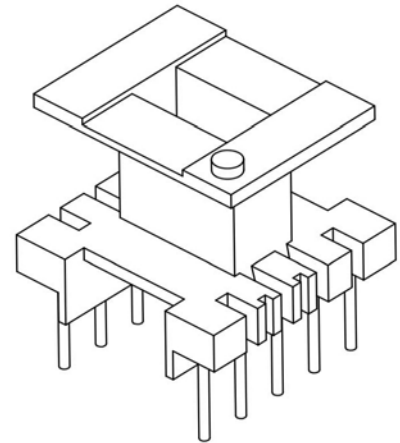
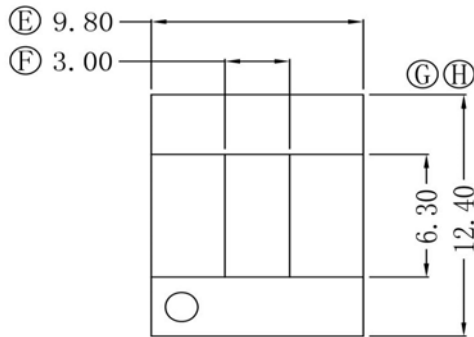
Finish: matte Sn

Phone 201-891-8800 Email: sales@mhw-intl.com

Part Number: BE 13-1107CP-DG-P5.0

BE 13-1110CP-MX-P3.7-SO

Revisions			
-	2014/04/07	Initial Issue	gvs

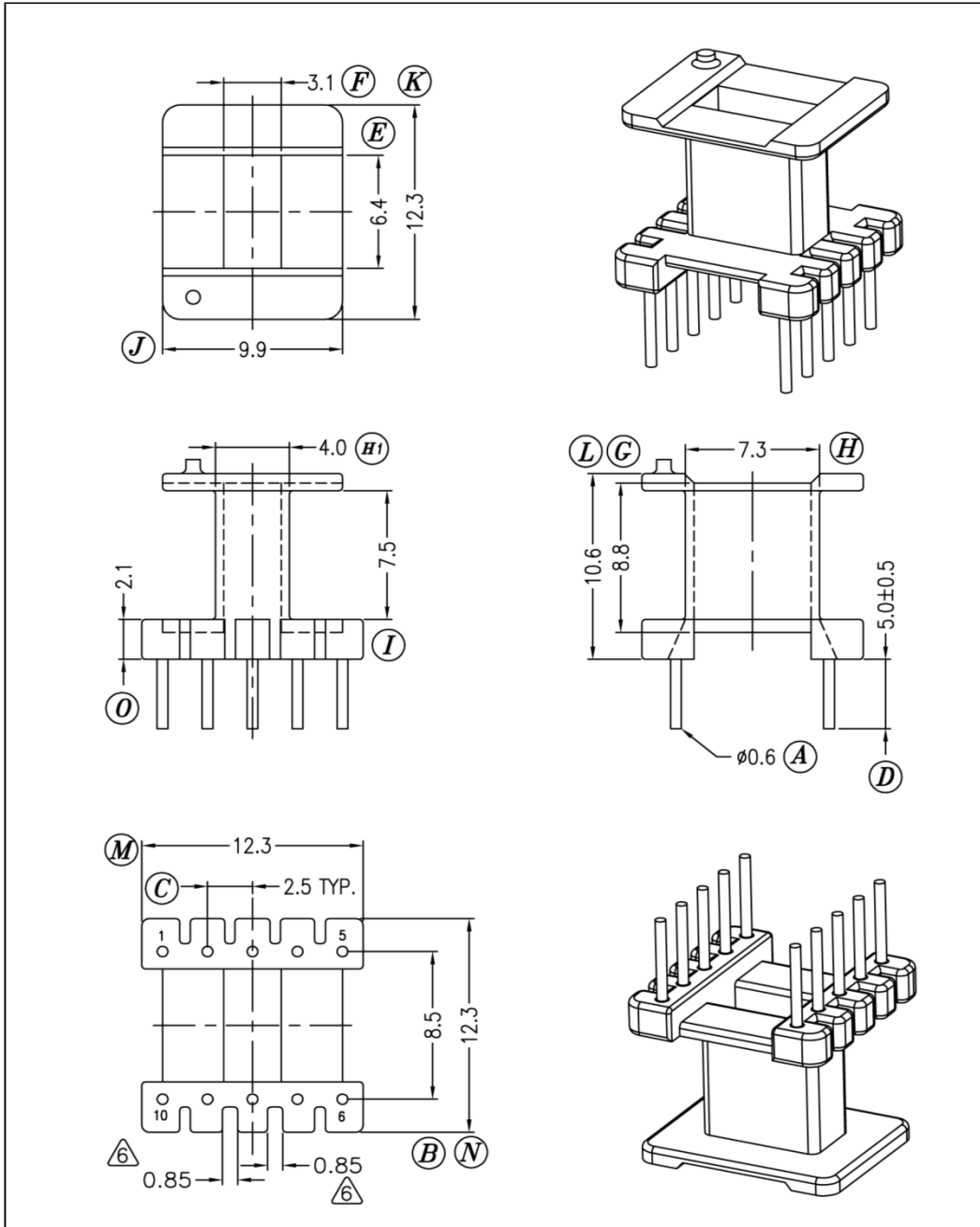


Dimensions in mm

Tolerances: 0 < L ≤ 4: ±0.2 4 < L ≤ 16: ±0.3 16 < L ≤ 63: ±0.4		Tolerance of Pin Pitch: ±0.20	
Country of Origin: China	RoHS Certified: YES	UL Molder Certification: E315110	
Bobbin Material: Phenolic Sumitomo PM9630		Drawing Number: BE 13-1110CP-MX-P3.7-SO	
UL File: E41429	UL Rec: 94-V0	MX-1321-P3.7	Pin Material: Steel Wire (CP)
MH&W International Corp Phone 201-891-8800 Email: sales@mhw-intl.com		Pin Tension: >0.8 Kgm	Pin Plating: CuSn
		Part Number: BE 13-1110CP-MX-P3.7-SO	

BE 13-1110CP-P-P5.0

Revisions	
1	Added country of origin & RoHS
2	Added Pin Length



Dimensions in mm

Country of Origin: China | RoHS Certified: YES

Bobbin Material: Phenolic Sumitomo PM9820

Drawing Number: BE 13-1110CP-P-P5.0

UL File: E41429

UL Rec: 94-V0

P-1302

Pin Material: Steel Wire (CP)

MH&W International Corp

Pin Tension: 1.0Kgm min

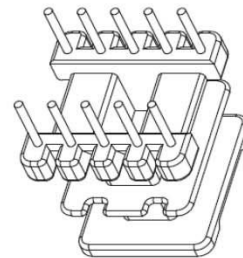
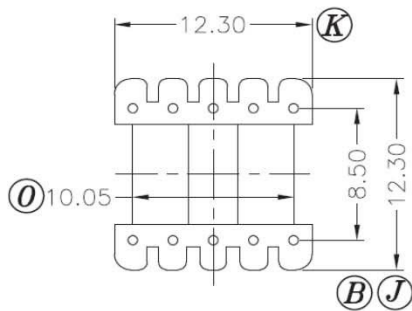
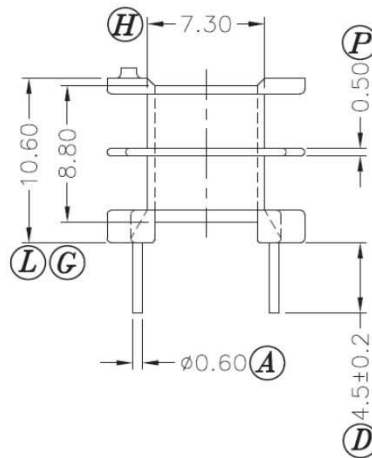
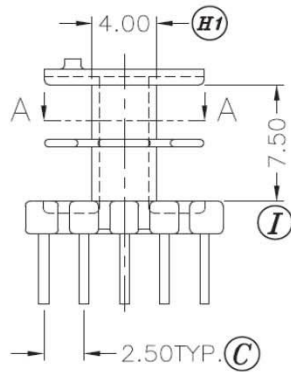
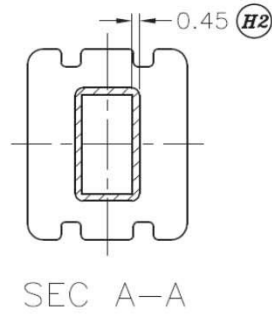
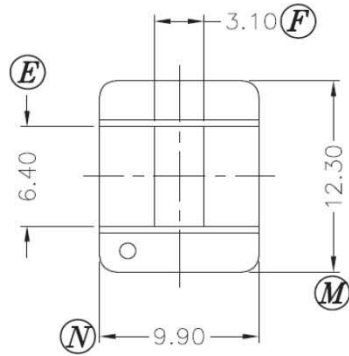
Finish: MATTE Sn

Phone 201-891-8800 Email: sales@mhw-intl.com

Part Number: BE 13-1110CP-P-P5.0

BE 13-1210CP-P-P4.5

Revisions			

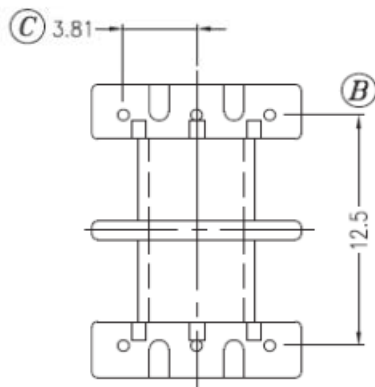
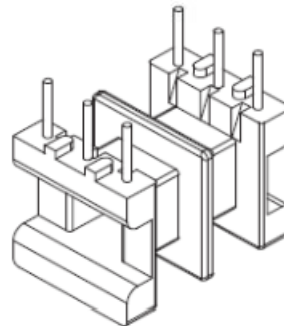
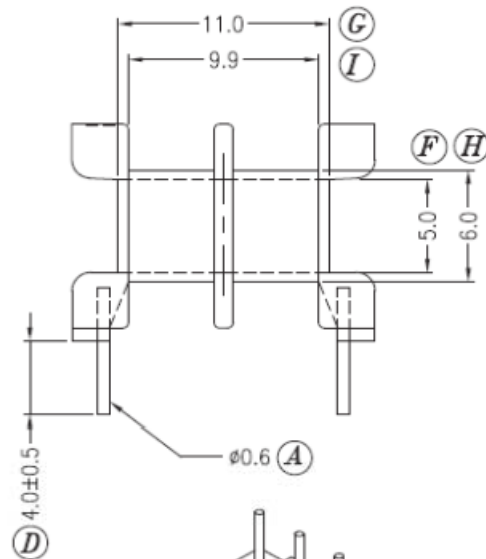
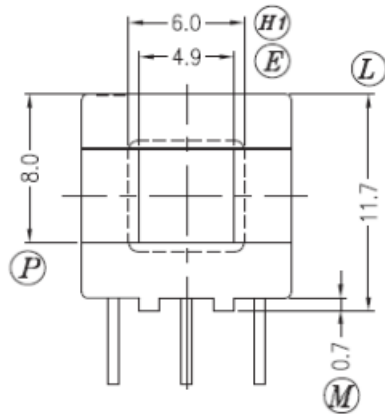
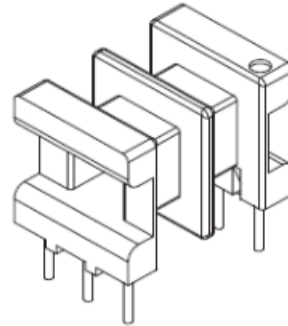
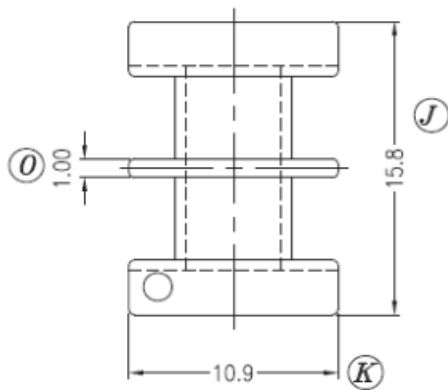


Dimensions in mm

Country of Origin: China		RoHS Certified: YES	
Bobbin Material: Sumitomo PM9820		Drawing Number: BE 13-1210CP-P-P4.5	
UL File: E41429	UL Rec: 94-V0	P-1302-5	Pin Material: Steel Wire (CP)
MH&W International Corp 201-891-8800 Email: sales@mhw-intl.com		Phone	Pin Tension: 1.0Kgm min
		Finish: Tin (Sn)	
Part Number: BE 13-1210CP-P-P4.5			

BE 16/16/5-126CP-P

Revisions			



Reference Ferrite Core is the EE16/16/5

Dimensions in mm

Country of Origin: China RoHS Certified: YES

Bobbin Material: Sumitomo PM9820

Drawing Number: BE 16/16/5-126CP-P

UL File: E41429 UL Rec: 94-V0 P-1622-1

Pin Material: Steel Wire (CP)

MH&W International Corp

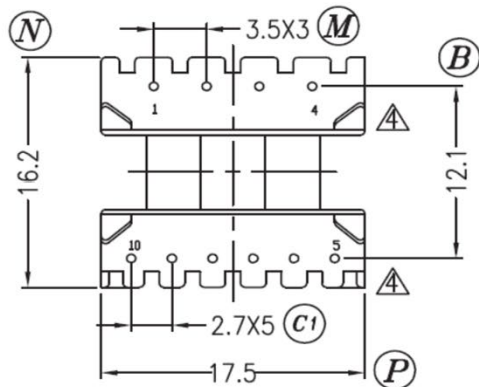
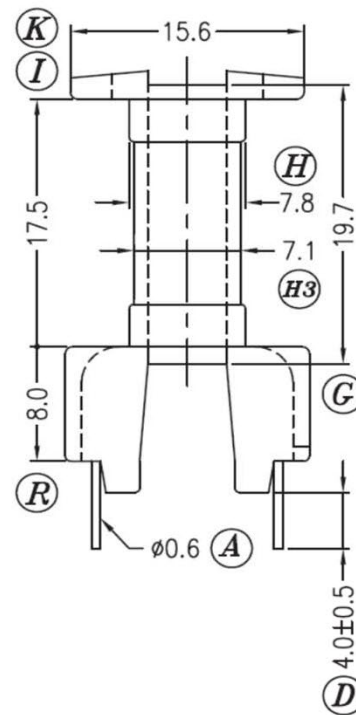
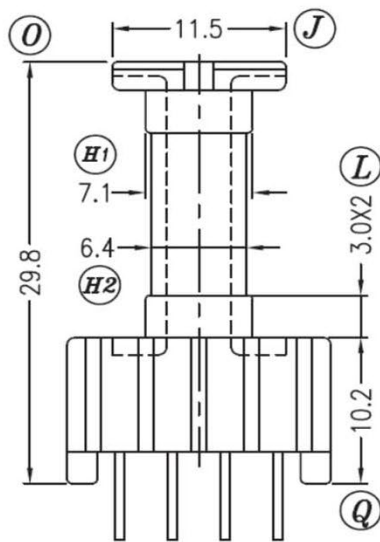
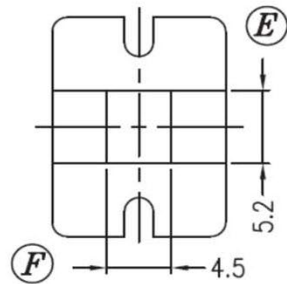
Pin Tension: 1.5Kgm min Finish: Tin

Phone 201-891-8800 Email: sales@mhw-intl.com

Part Number: BE 16/16/5-126CP-P

BE 16/24/5-1110CP-P-6x4

Revisions			
-	2013/04/01	INITIAL ISSUE	gvs
R1	2016/07/01	Updated Part tolerances	gvs



Pin Pitch: ± 0.2

Dimensions in mm

Country of Origin: China

RoHS Certified: YES

Tolerances: $0 < L \leq 4 \pm 0.2$; $4 < L \leq 16 \pm 0.3$; $16 < L \leq 63 \pm 0.4$

Bobbin Material: PHENOLIC Chang Chung Plastics T375J

Drawing Number: BE 16/24/5-1110CP-P-6x4 R1

UL File: E59481

UL Rec: 94-V0

P-1604

Pin Material: Steel Wire (CP)

MH&W International Corp

Pin Tension: 1.5Kgm min

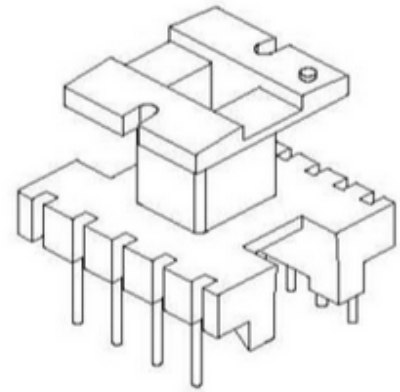
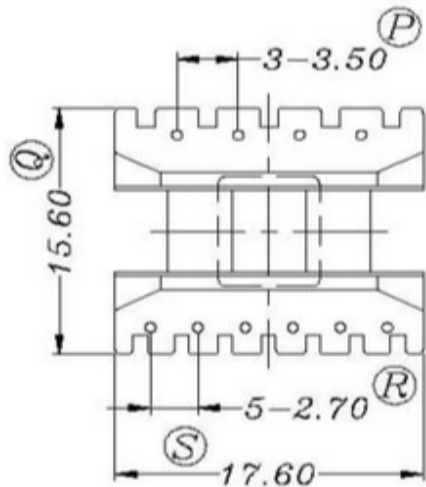
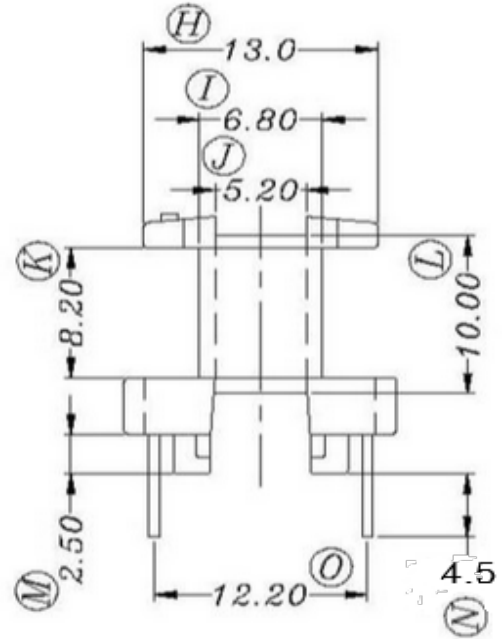
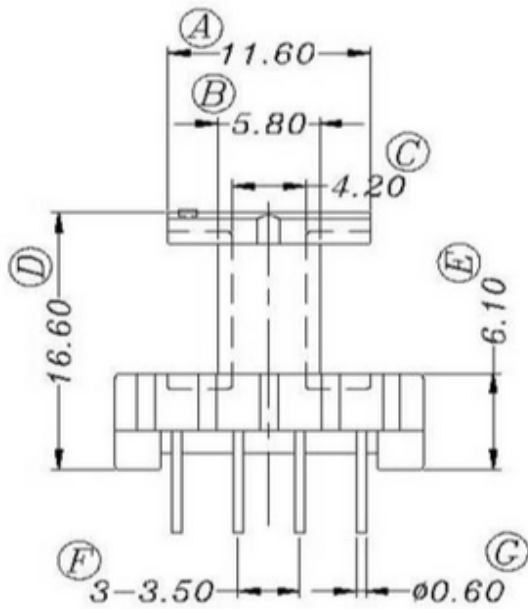
Finish: MATTE Sn

Phone 201-891-8800 Email: sales@mhw-intl.com

Part Number: BE 16/24/5-1110CP-P-6x4

BE 16-110CP-PM-P4.5

REV	DATE	DESCRIPTION	BY
-	2025/01/24	INITIAL ISSUE	dr

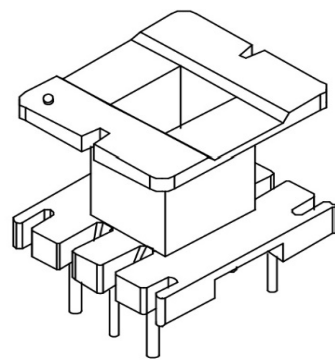
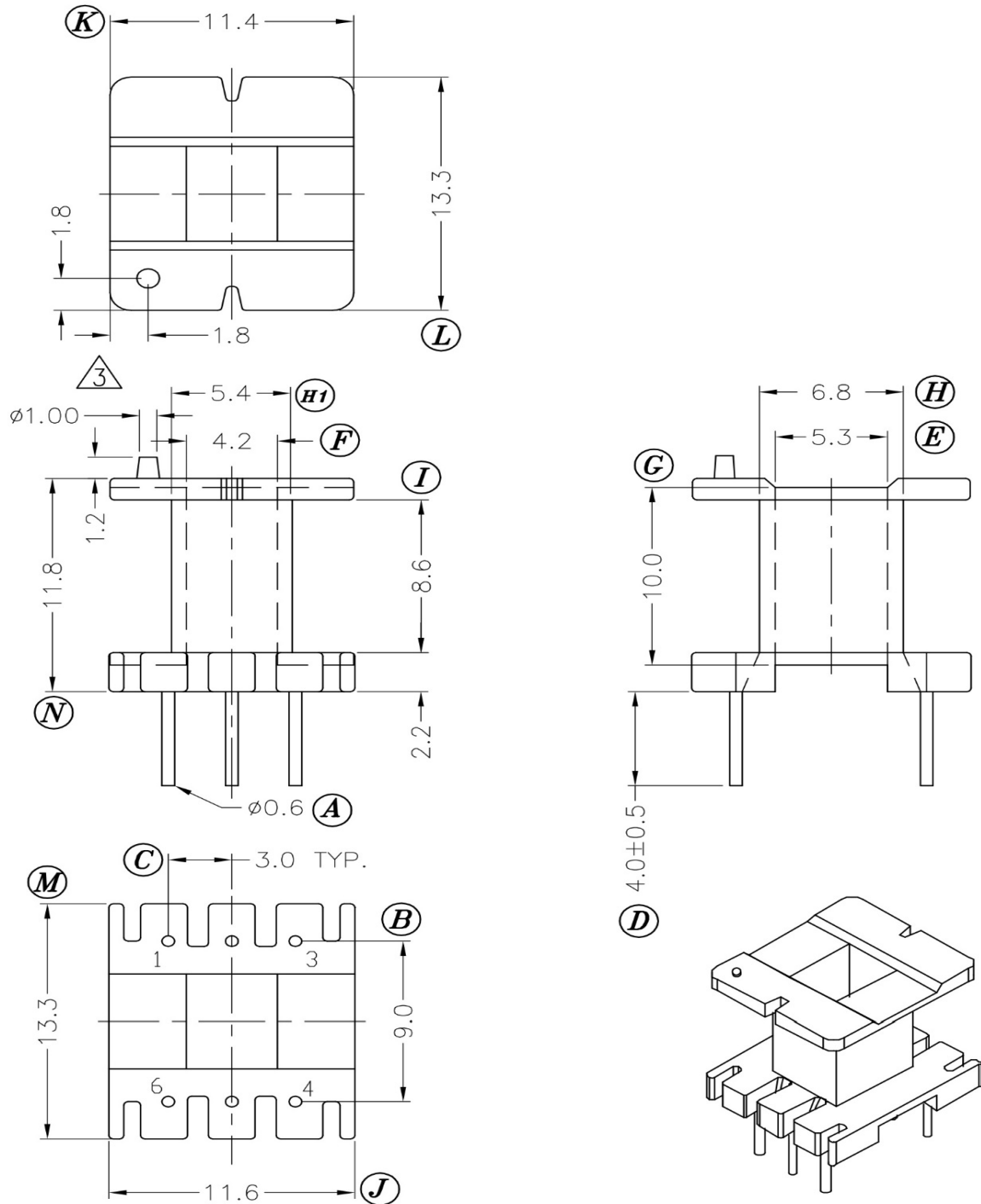


Dimensions in mm

Country of Origin: China	RoHS Certified: YES	UL Molder Certification: E315110
Bobbin Material: PHENOLIC Chang Chung T375HF		Drawing Number: BE 16-110CP-PM-P4.5
UL File: E59481	UL Rec: 94-V0	P-1611
Pin Material: CP Wire		Pin Tension:
Pin Plating: CuSn		Part Number: BE 16-110CP-PM-P4.5
MH&W International Corp Phone 201-891-8800 Email: sales@mhw-intl.com		

BE 16-116CP-P4.0

Revisions			
-	2013/04/01	Initial Issue	gvs

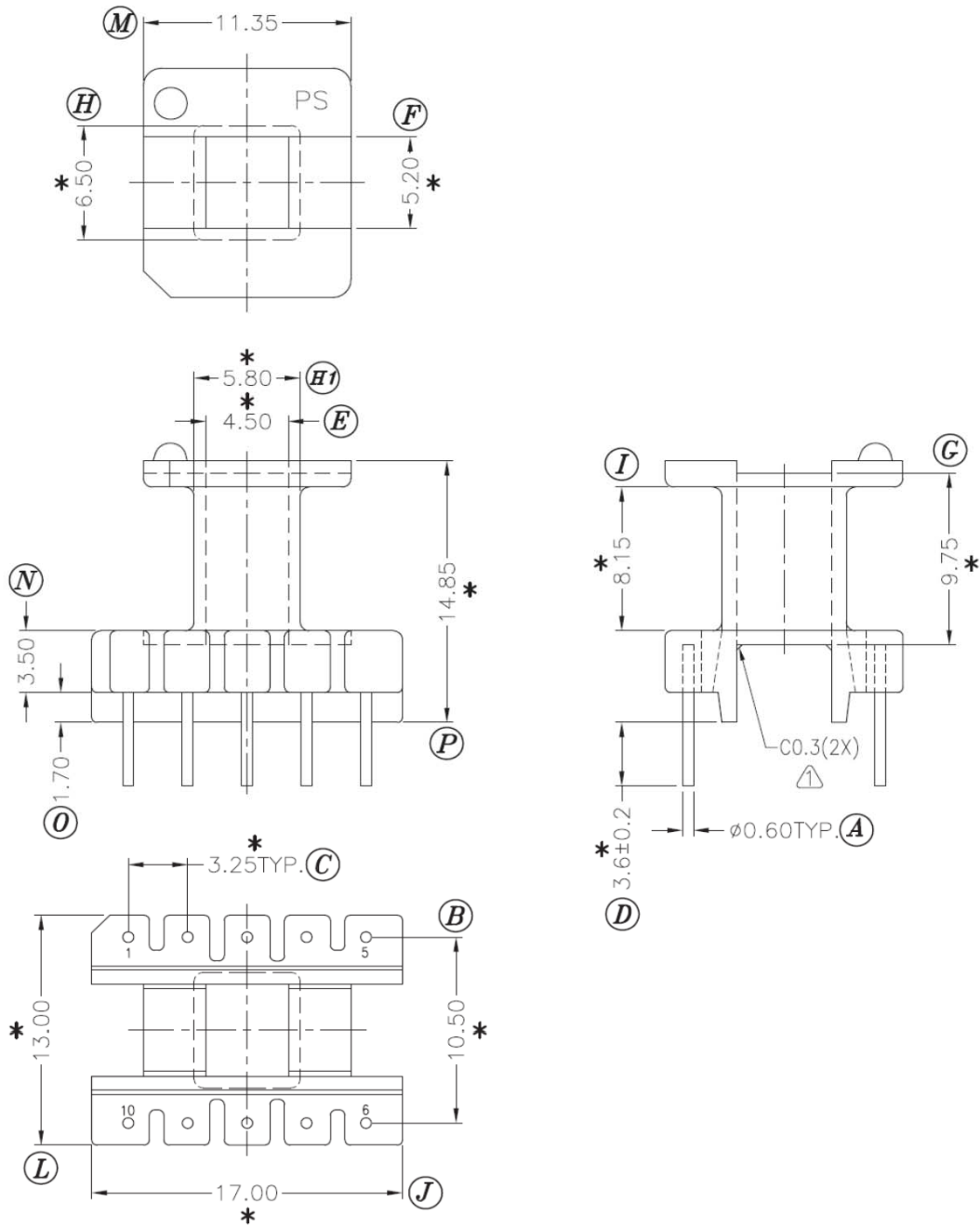


Dimensions in mm

Tolerances: 0<L≤4 ±0.2; 4<L≤16 ±0.3; 16<L≤63 ±0.4		Pin Pitch: ± 0.2	P-1606-P4.0
Country of Origin: China	RoHS Certified: YES	UL Molder Certification: E163831	
Bobbin Material: Phenolic Chang Chung T375J		Drawing Number: BE 16-116CP-P4.0	
UL File: E59481	UL Rec: 94-V0	Pin Material: Steel Wire (CP)	
MH&W International Corp Phone 201-891-8800 Email: sales@mhw-intl.com		Pin Tension: 1.2Kgm min	Finish: matte Sn
		Part Number: BE 16-116CP-P4.0	

BE 16-1110CPN-P

Revisions

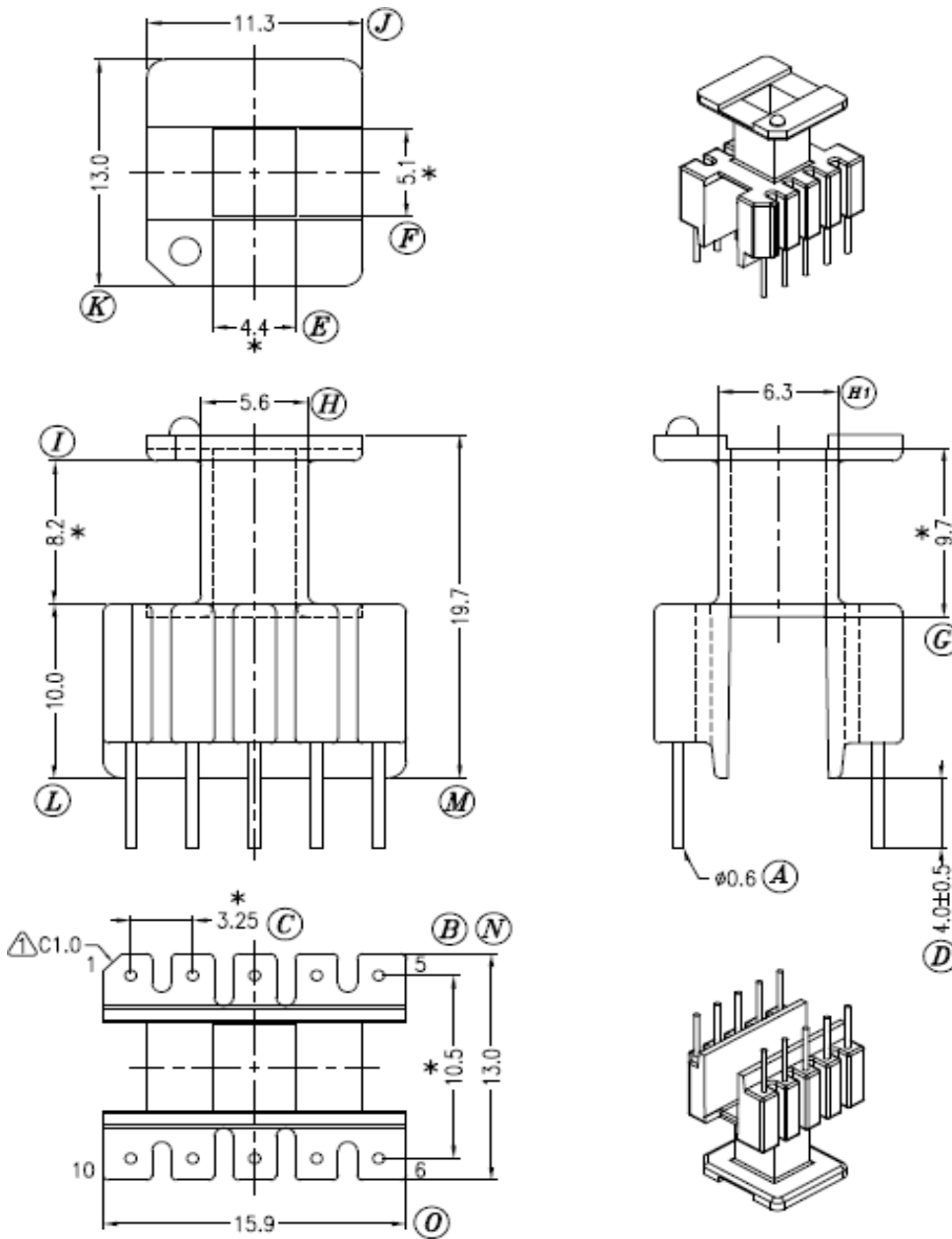


Dimensions in mm

Country of Origin: China	RoHS Certified: YES	UL Molder Certification: E163831
Bobbin Material: Sumitomo PM9820		Drawing Number: BE16-1110CPN-P
UL File: E41429	UL Rec: 94-V0	P-1613
Pin Material: Steel Wire (CP)		
Pin Tension: 1.5Kgm min		Finish: Tin
Part Number: BE16-1110CPN-P		
MH&W International Corp Phone 201-891-8800 Email: sales@mhw-intl.com		

BE 16-1110CPV-P-P4.0

REV	DATE	DESCRIPTION	BY
-	2020/08/07	INITIAL ISSUE	dr

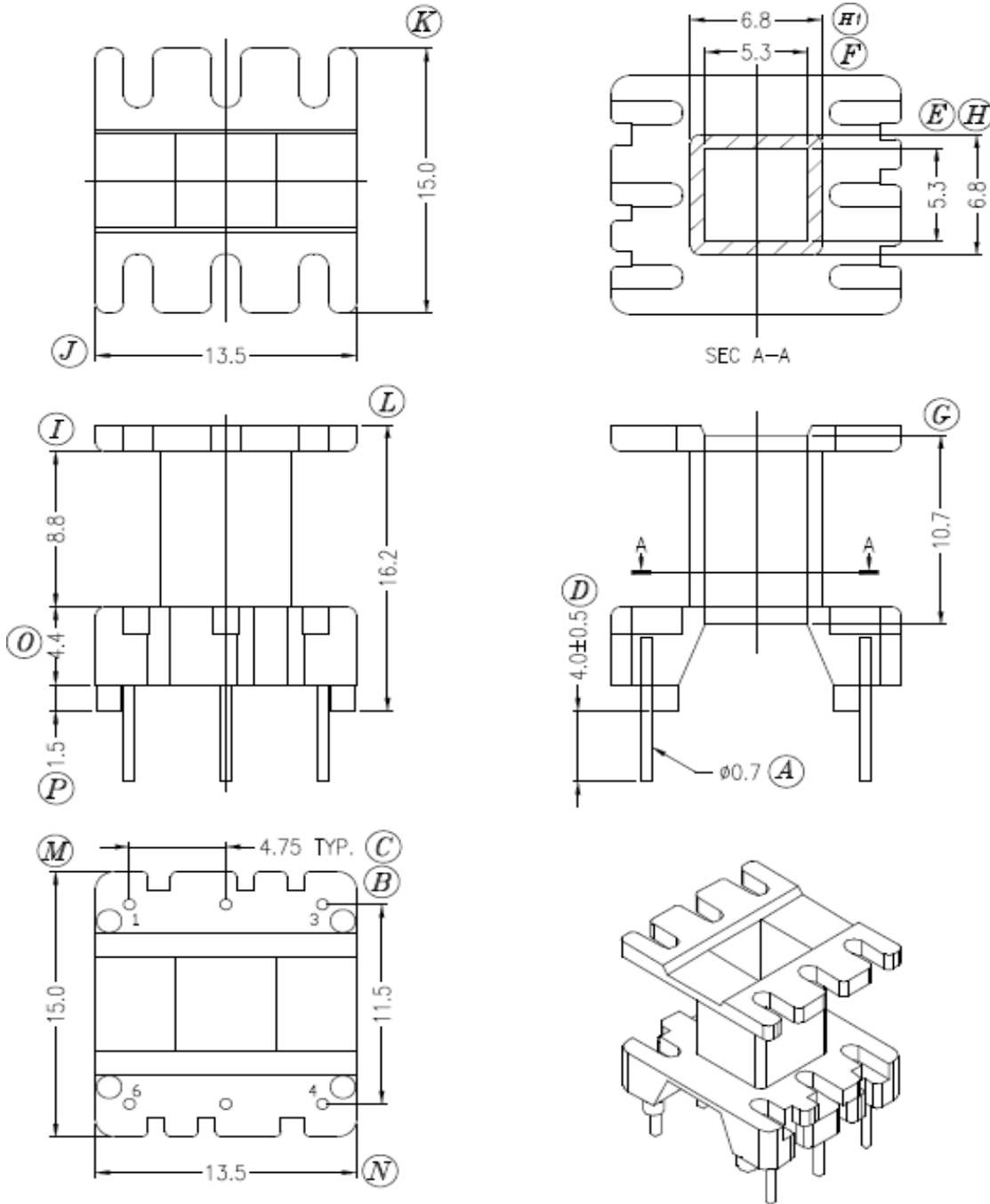


Dimensions in mm

Tolerances: 0<L≤4 ±0.2; 4<L≤16 ±0.3; 16<L≤63 ±0.4		Pin Pitch: ± 0.2	UL Molder Certification: E163831
Country of Origin: China	RoHS Certified: YES	Title: BOBBIN EI-16 VERTICAL (10PIN)	
Bobbin Material: PHENOLIC T375J		Drawing Number: BE 16-1110CPV-P-P4.0	
UL File: E59481	UL Rec: 94-V0	P-1631	Pin Material: Steel Wire (CP)
MH&W International Corp Phone 201-891-8800 Email: sales@mhw-intl.com		Pin Tension: 1.5Kgm min	Finish: matte Sn
		Part Number: BE 16-1110CPV-P-P4.0	

BE 19/16-416CP-P-P4.0

REV	DATE	DESCRIPTION	BY
-	2023/02/02	INITIAL ISSUE	dr



Tolerances: $0 < L \leq 4 \pm 0.2$; $4 < L \leq 16 \pm 0.3$; $16 < L \leq 63 \pm 0.4$

Pin Pitch: ± 0.2

Dimensions in mm

Country of Origin: China

RoHS Certified: YES

Title:

BOBBIN EE-19/16 VERTICAL 6 PIN

UL Molder Certification: E163831

Bobbin Material: Chang Chun PBT 4130

Drawing Number: BE 19/16-416CP-P-P4.0

UL File: E345326

UL Rec: 94-V0

P-1904

Pin Material: Steel Wire (CP)

MH&W International Corp

Pin Tension: 1.5 Kgm min.

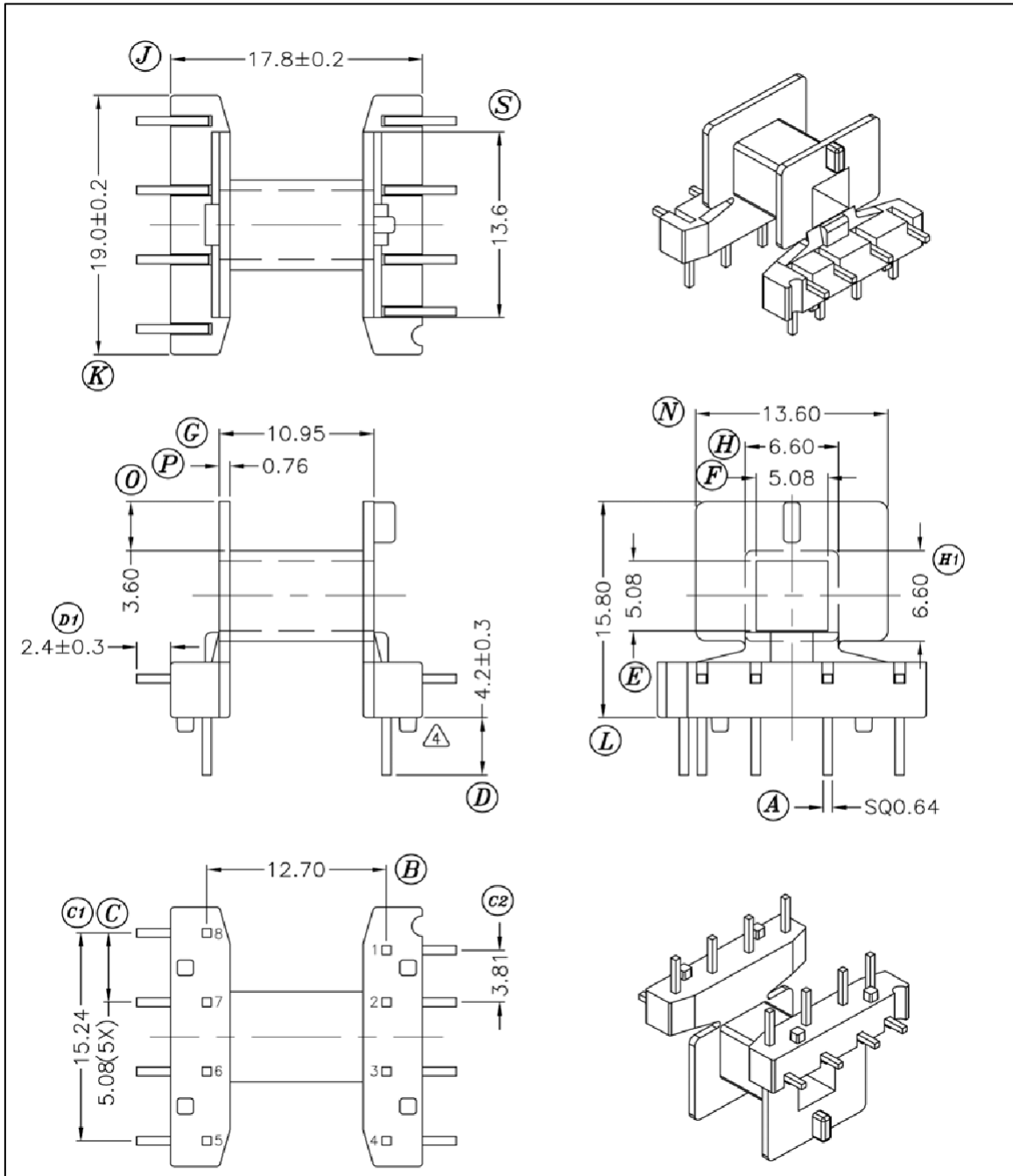
Finish: Tin

Phone 201-891-8800 Email: sales@mhw-intl.com

Part Number: BE 19/16-416CP-P-P4.0

BE 19/16-818CPH-P

Revisions	
1	Added country of origin & RoHS

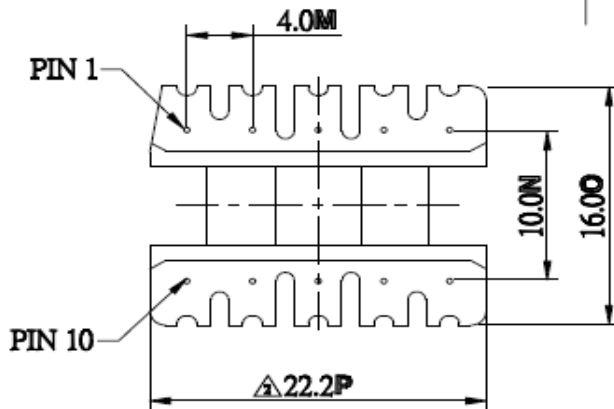
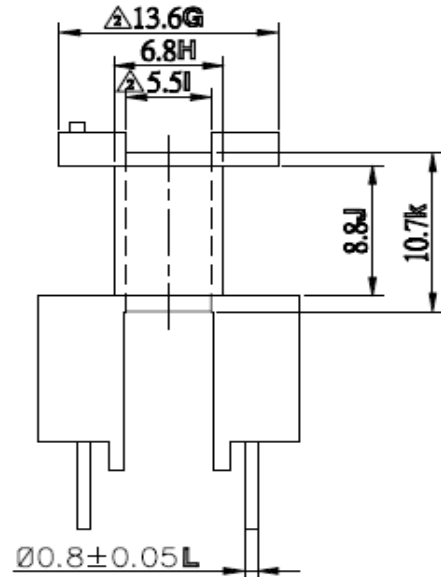
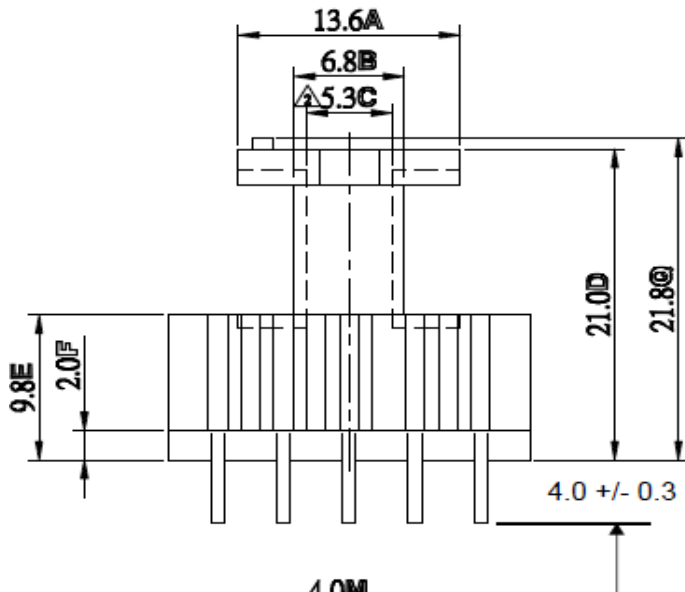
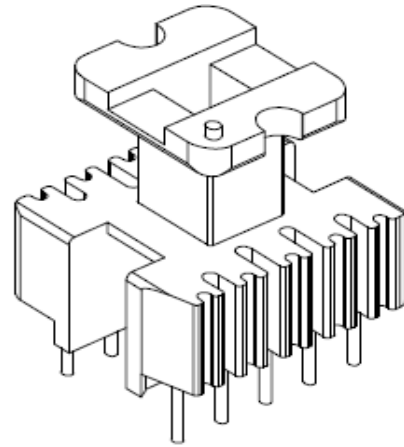
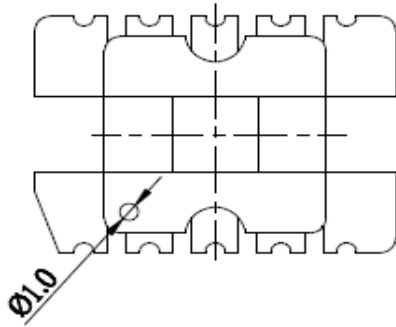


Dimensions in mm

Country of Origin: China	RoHS Certified: YES		
Bobbin Material: E.I. Dupont FR530		Drawing Number: BE 19/16-818CPH-P-1	
UL File: E41938	UL Rec: 94-V0	P-1923	Pin Material: Steel Wire (CP)
MH&W International Corp		Pin Tension: 1.5Kgm min	Finish: e3 (JEDEC)
Phone 201-891-8800 Email: sales@mhw-intl.com		Part Number: BE 19/16-818CPH-P	

BE 19/16-1110CP-S-P4.0

REVISIONS	DATE	DESCRIPTION	BY
-	2020/02/20	INITIAL ISSUE	dr



Tolerances: .X+/-0.2, .XX+/-0.15, PIN PITCH +/-0.1

Dimensions in mm

Country of Origin: China RoHS Certified: YES

UL Molder Certification: E149570

Bobbin Material: Chang Chung Plastics T375HF

Drawing Number: BE 19_16-1110CP-S-P4.0

UL File: E59481

UL Rec: 94-V0

TF-1932

Pin Material: Steel Wire (CP)

MH&W International Corp

Pin Tension: 1.5Kgm min

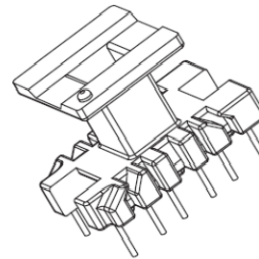
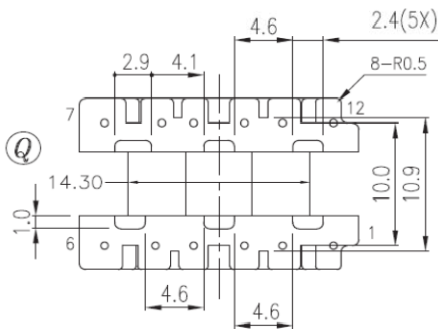
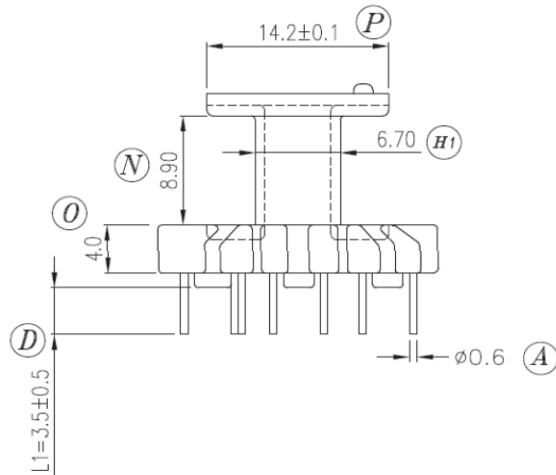
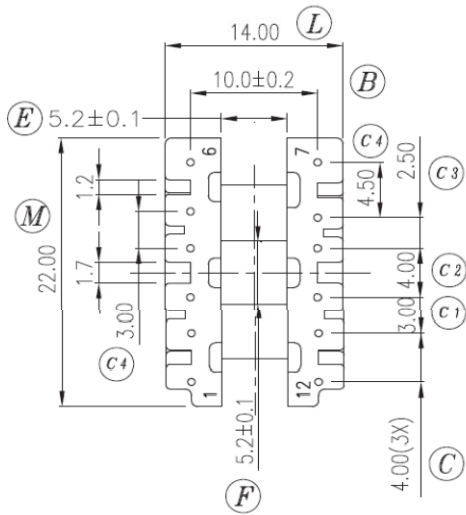
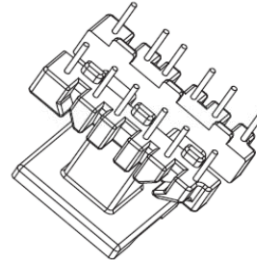
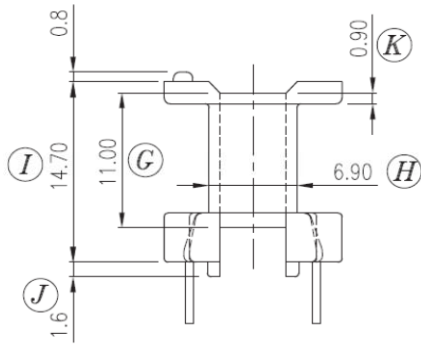
Finish: matte Sn

Phone 201-891-8800 Email: sales@mhw-intl.com

Part Number: BE 19/16-1110CP-S-P4.0

BE 19/16-1112CP-P

Revisions



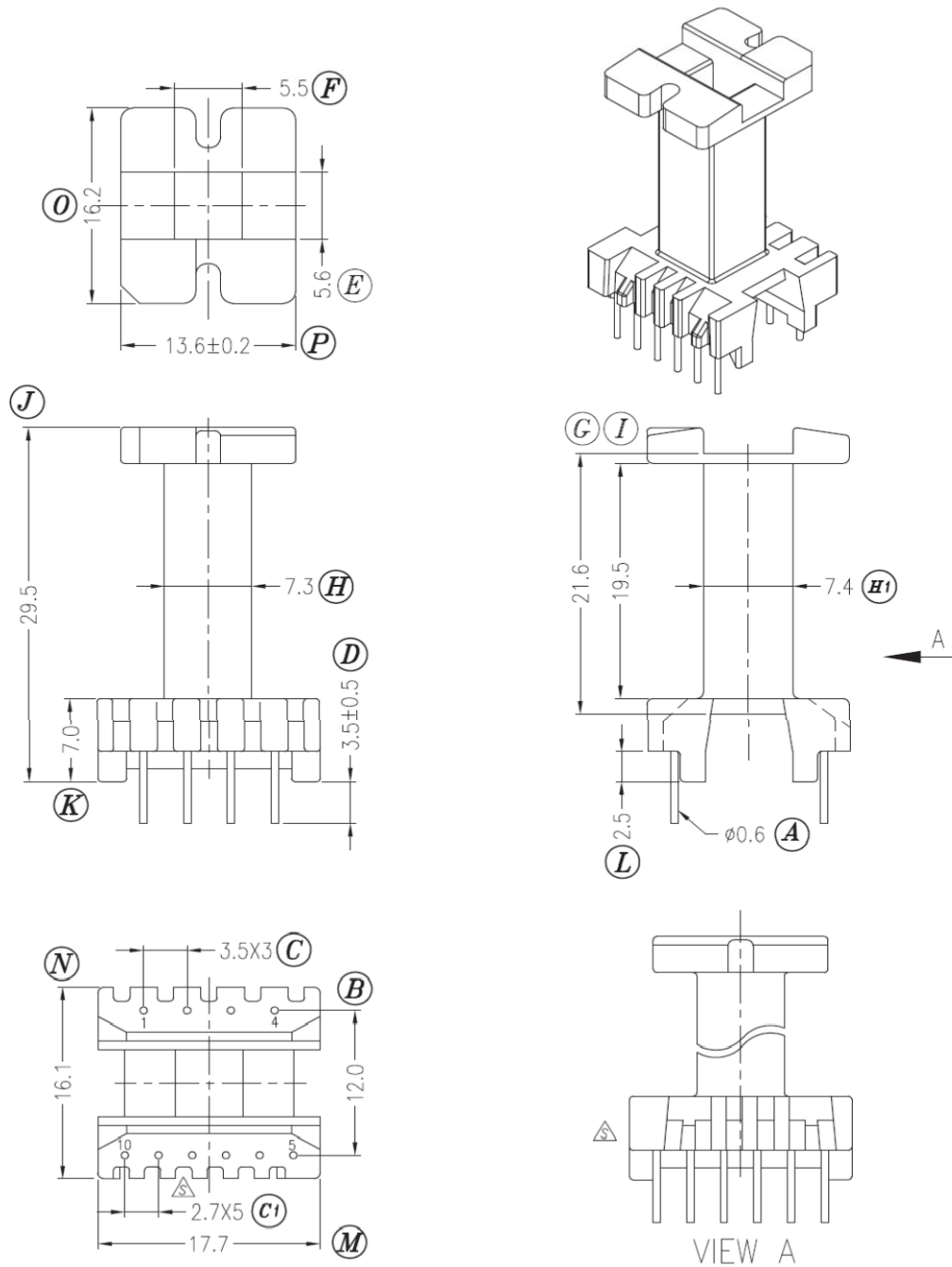
Dimensions in mm

Country of Origin: China	RoHS Certified: YES	Molder UL File Number: E163831
Bobbin Material: Sumitomo PM9630		Drawing Number: BE 19/16-1112CP-P
UL File: E41429	UL Rec: 94-V0	P-1946
Pin Material: Steel Wire (CP)		Pin Tension: 1.5Kgm min
Finish: Tin		Part Number: BE 19/16-1112CP-P
MH&W International Corp Phone 201-891-8800 Email: sales@mhw-intl.com		

BE 19/27/5-1110CP-P-6x4

Revisions

--	--	--	--

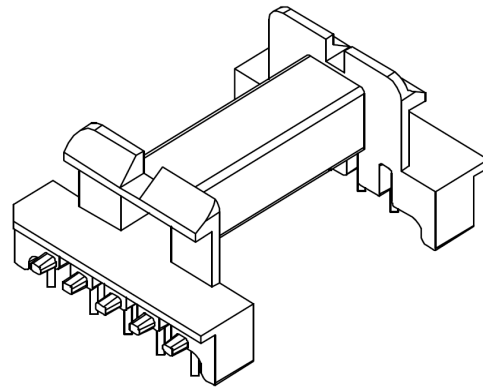
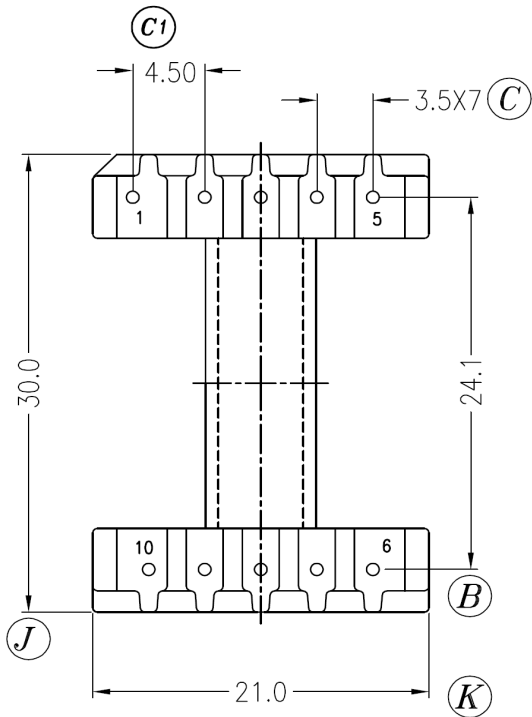
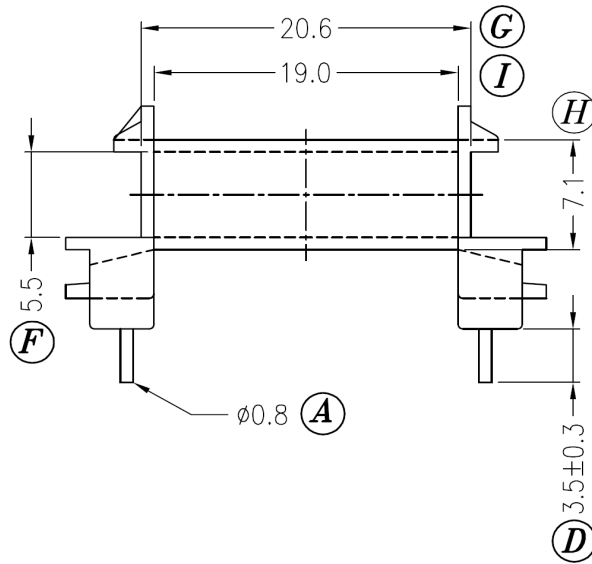
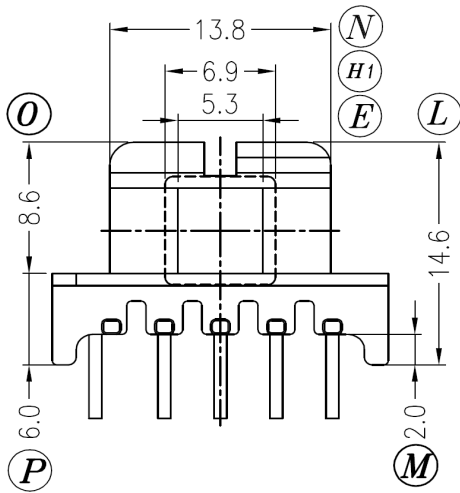


Dimensions in mm

Country of Origin: China	RoHS Certified: YES		
Bobbin Material: Chang Chung Plastics T375J		Drawing Number: BE 19/27/5-1110CP-P-6x4	
UL File: E59481	UL Rec: 94-V0	P-1915-1	Pin Material: Steel Wire (CP)
MH&W International Corp		Pin Tension: 1.5Kgm min	Finish: Tin
Phone 201-891-8800 Email: sales@mhw-intl.com		Part Number: BE 19/27/5-1110CP-P-6x4	

BE 19/27-1110CPH-P

REV	DATE	DESCRIPTION	BY
1	2023/02/24	Change mat'l from T375J to T375HF on new orders.	dr

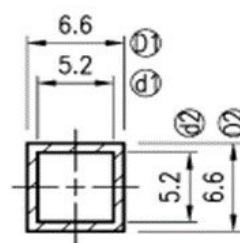
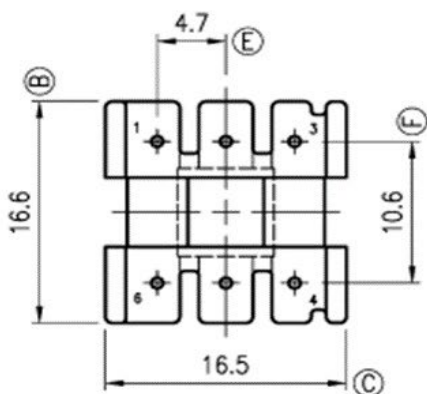
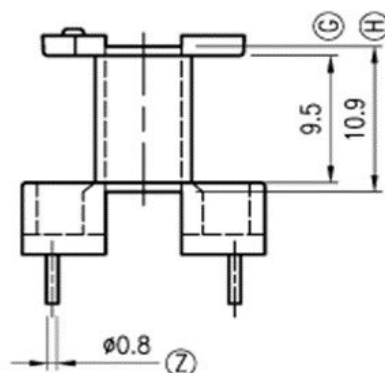
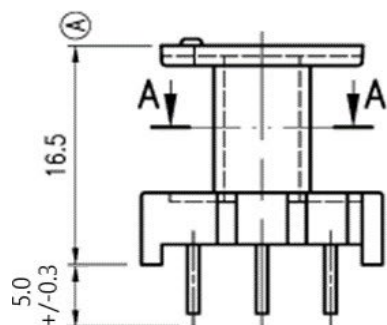
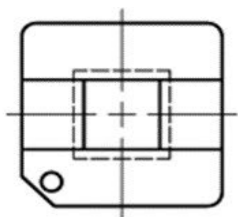


Dimensions in mm

Country of Origin: China	RoHS Certified: YES		
Bobbin Material: Chang Shun Plastics T375HF		Drawing Number: BE 19/27-1110CPH-P	
UL File: E59481	UL Rec: 94-V0	P-1912	Pin Material: Steel Wire (CP)
MH&W International Corp		Pin Tension: 1.5Kgm min	Finish: Matte Sn
Phone 201-891-8800 Email: sales@mhw-intl.com		Part Number: BE 19/27-1110CPH-P	

BE 19-116CP-YC-P5.0

REV	DATE	DESCRIPTION	BY
-	2023/03/02	INITIAL ISSUE	dr

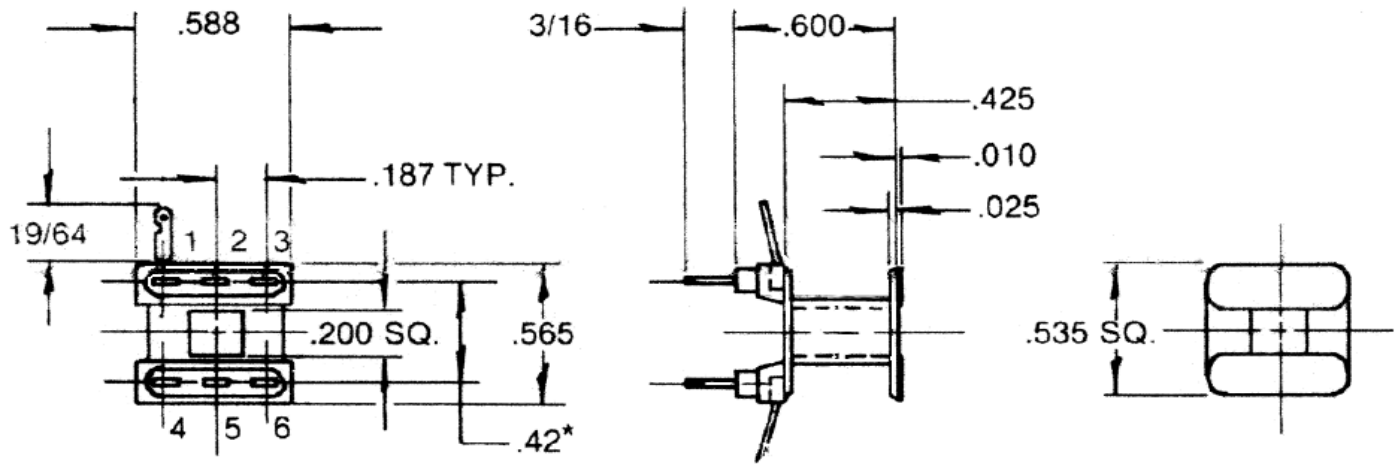


A-A Section

Tolerances: 0<L≤4 ±0.2; 4<L≤16 ±0.3; 16<L≤63 ±0.4		Pin Pitch: ± 0.2	Dimensions in mm
Country of Origin: China	RoHS Certified: YES	Title: BOBBIN EI-19 6 PINS	
UL Molder Certification: E181776		Drawing Number: BE 19-116CP-YC-P5.0	
Bobbin Material: Chang Chun T375HF		Pin Material: Steel Wire (CP)	Finish: Tin
UL File: E59481	UL Rec: 94-V0	YC-1909	Pin Tension: 1.2kg Min.
MH&W International Corp		Part Number: BE 19-116CP-YC-P5.0	
Phone 201-891-8800 Email: sales@mhw-intl.com			

BE 19-516CP-TJ-P4.8

REV	DATE	DESCRIPTION	BY
-	2023/03/14	INITIAL ISSUE	dr



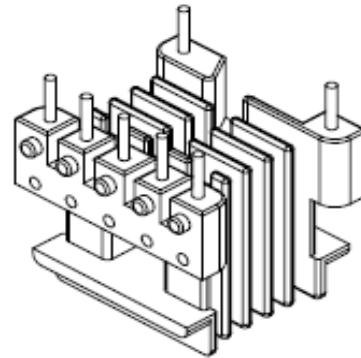
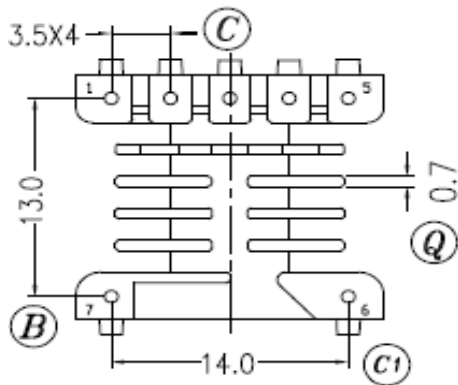
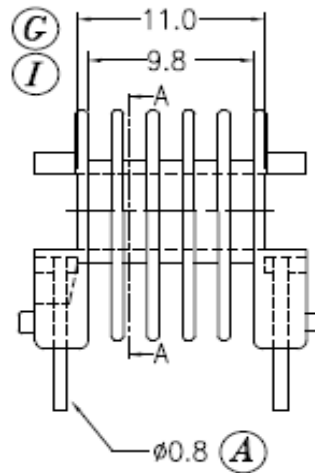
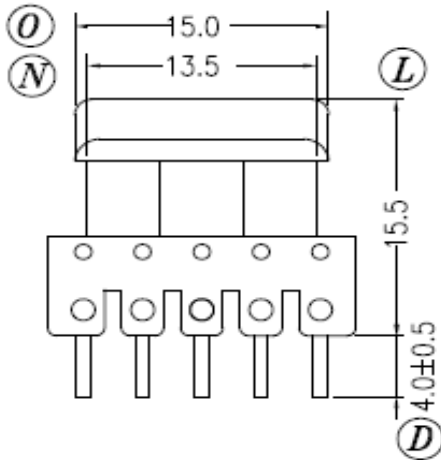
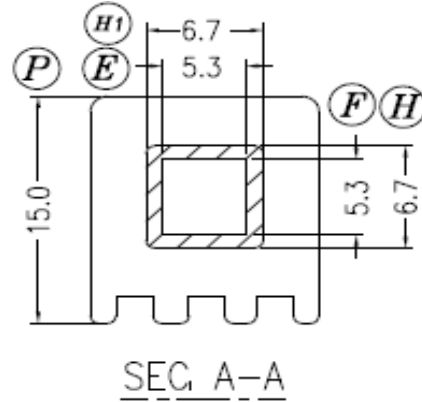
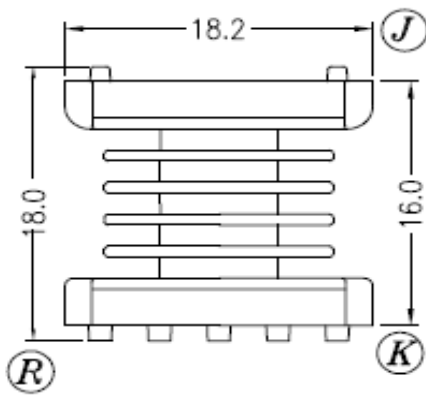
*REFERENCE DIM. BASED ON LUG POCKET CENTERS

Notes: 1. Uses terminal # 201

Tolerances: 0<L≤4 ±0.2; 4<L≤16 ±0.3; 16<L≤63 ±0.4		Pin Pitch: ± 0.2	Dimensions in inches
Country of Origin: USA	RoHS Certified: YES	Title: BOBBIN EI-19 6 PINS (EI-187x3/16)	
UL Molder Certification: B1646			
Bobbin Material: Radilon A.RV300K Glass Filled Nylon		Drawing Number: BE 19-516CP-TJ-P4.8	
UL File: E164279	UL Rec: 94-V0	1001-1-GFG	Pin Material: Steel Wire (CP) Finish: Tin
MH&W International Corp Phone 201-891-8800 Email: sales@mhw-intl.com		Pin Tension: n/a	
		Part Number: BE 19-516CP-TJ-P4.8	

BE 19H-857CP-P-P4.0

Revisions			
-	2018/05/17	INITIAL ISSUE	dar

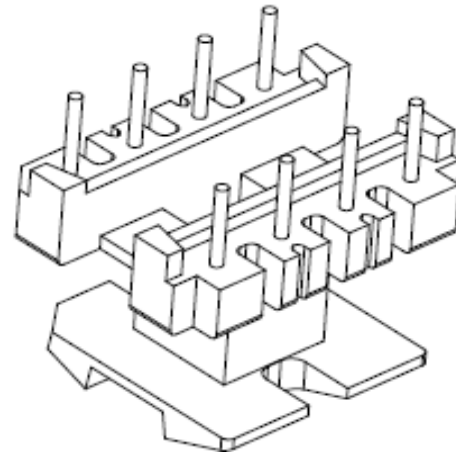
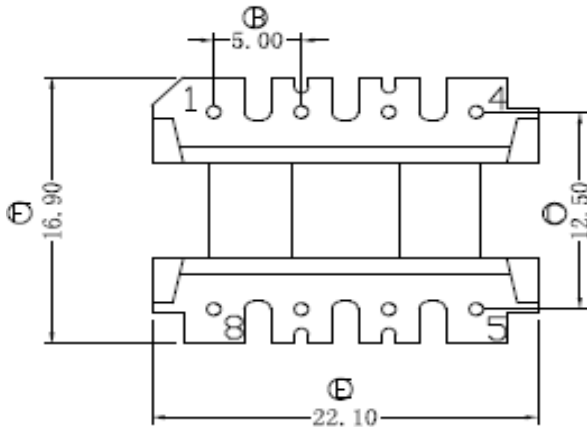
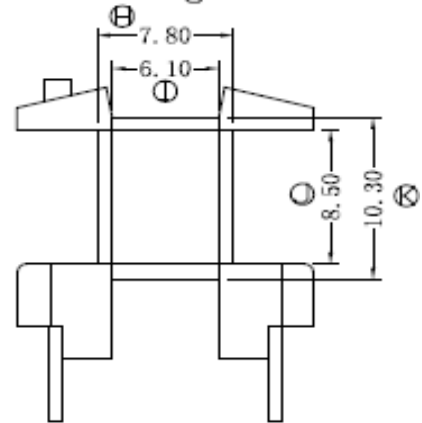
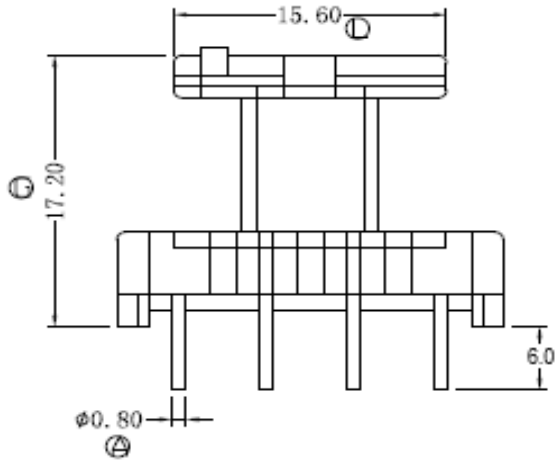
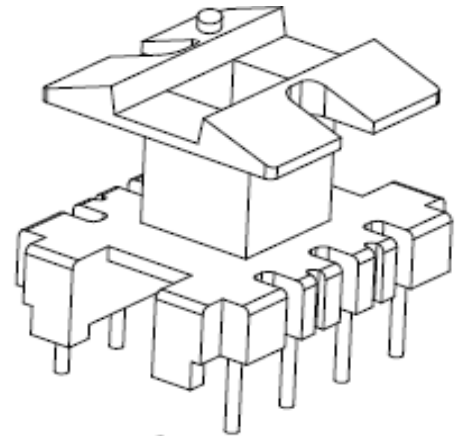
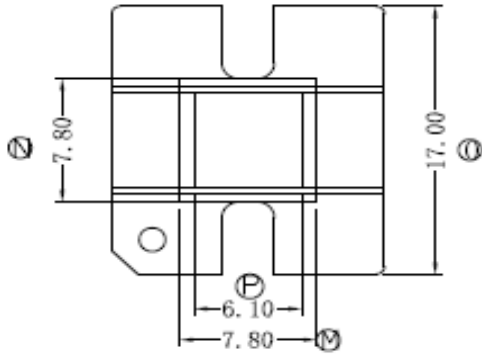


Dimensions in mm

Pin Pitch: ± 0.2		UL Molder Certification: E163831	
Country of Origin: China		RoHS Certified: YES	
Bobbin Material: PET (FR-530)		Tolerances: 0<L≤4 ±0.2; 4<L≤16 ±0.3; 16<L≤63 ±0.4	
UL File: E69578		Drawing Number: BE19H-857CP-P-P4.0	
UL Rec: 94-V0		Pin Material: Steel Wire (CP)	
P-1903		Pin Tension: 1.5Kgm min	
Finish: matte Sn		Part Number: BE 19H-857CP-P-P4.0	
MH&W International Corp Phone 201-891-8800 Email: sales@mhw-intl.com			

BE 22/19/6-118CP-MX-P6.0

REV	DATE	DESCRIPTION	BY
-	2021/11/04	INITIAL ISSUE	dr



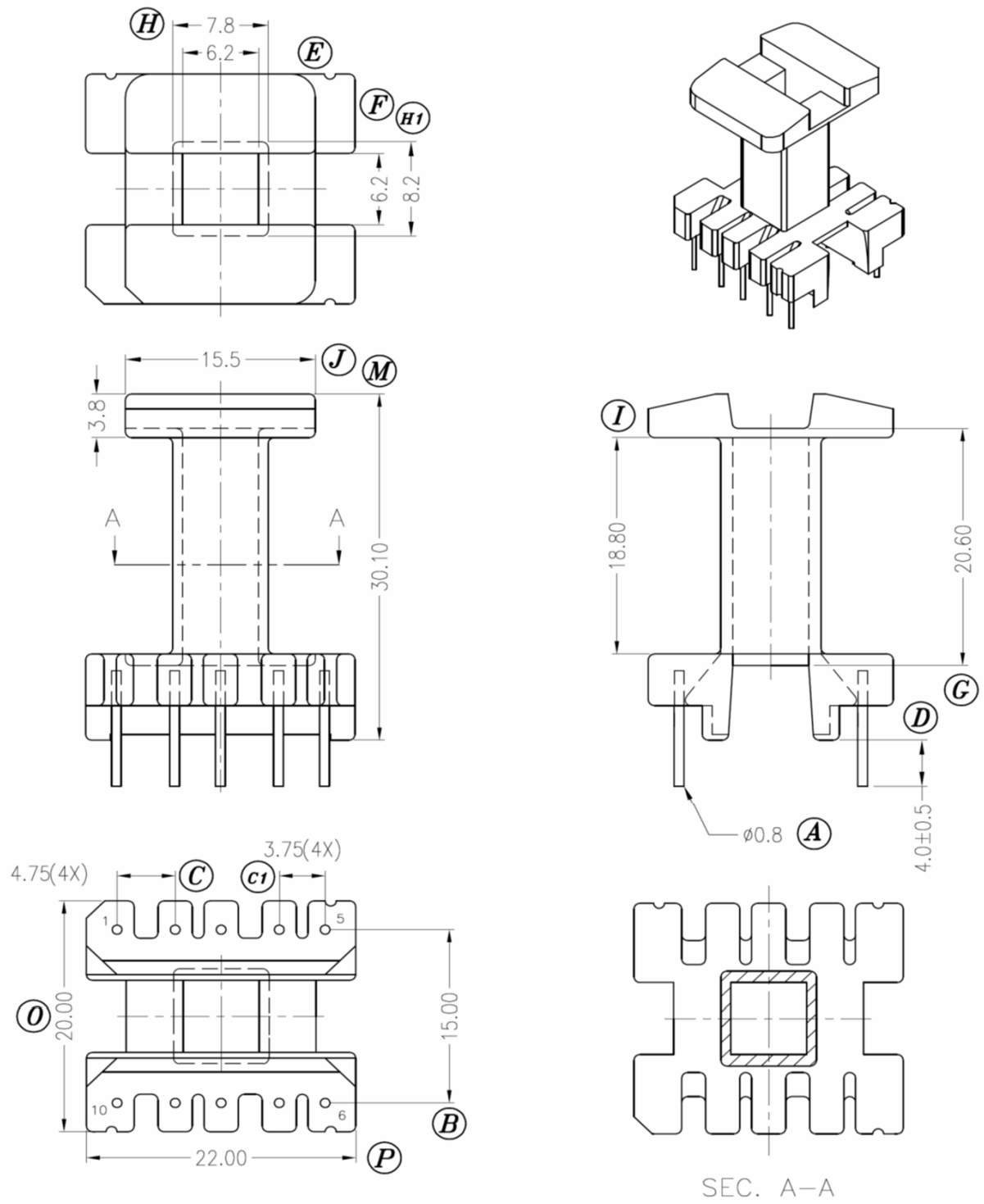
Equivalent to TDK BE22/19/6-118CP: Use w/ACME EE22 and TDK EI22/19/6

Dimensions in mm

Country of Origin: China	RoHS Certified: YES	UL Molder Certification: E470132
Bobbin Material: Sumitomo PM9630	Drawing Number: BE 22_19_6-118CP-MX-P6.0	
UL File: E41429	UL Rec: 94-V0	MX-2205-P6.0
Pin Material: Steel Wire (CP)		Pin Tension: 1.0Kgm
Pin Plating: CuSn (~2%Cu)		Part Number: BE 22/19/6-118CP-MX-P6.0
MH&W International Corp Phone 201-891-8800 Email: sales@mhw-intl.com		

BE 22/29/6-1110CP-P-P4.0

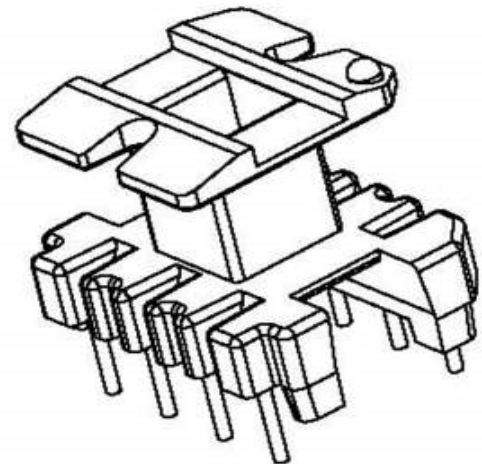
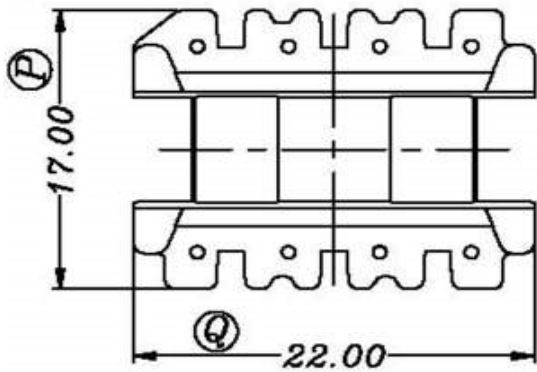
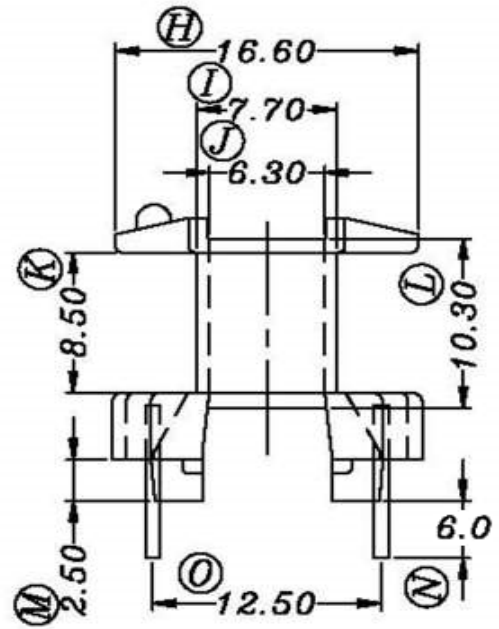
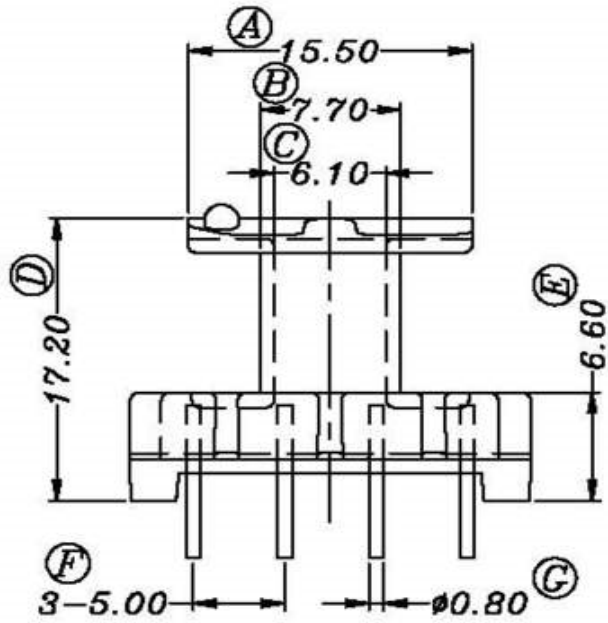
Revisions			
-	2016/05/20	Initial Issue	gvs



Tolerances: 0<L≤4 ±0.2; 4<L≤16 ±0.3; 16<L≤63 ±0.4		Pin Pitch: ± 0.3	Dimensions in mm
Country of Origin: China	RoHS Certified: YES	UL Molder Certification: E163831	
Bobbin Material: Phenolic Sumitomo PM9820		Drawing Number: BE 22_29_6-1110CP-P-P4.0	
UL File: E59481	UL Rec: 94-V0	P-2204	Pin Material: Steel Wire (CP)
MH&W International Corp		Pin Tension: 1.5Kgm min	Finish: Matte Sn
Phone 201-891-8800 Email: sales@mhw-intl.com		Part Number: BE 22/29/6-1110CP-P-P4.0	

BE 22-118CP-PM-P6.0

REV	DATE	DESCRIPTION	BY
-	2021/03/02	INITIAL ISSUE	dr

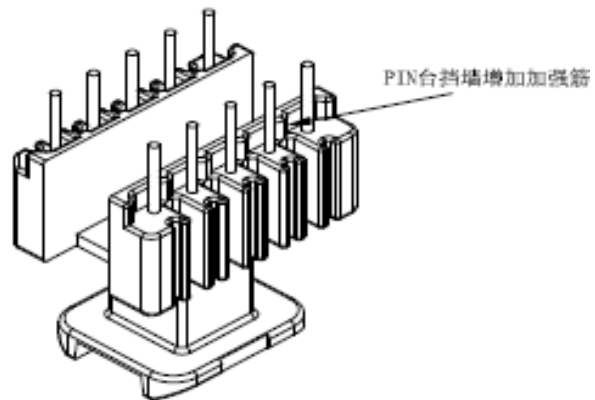
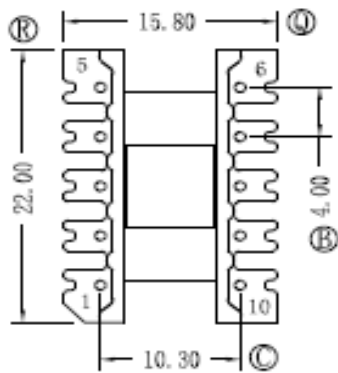
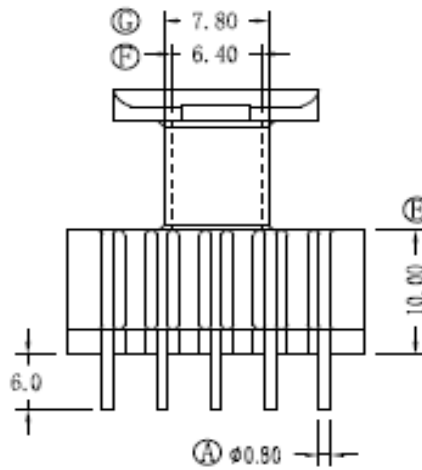
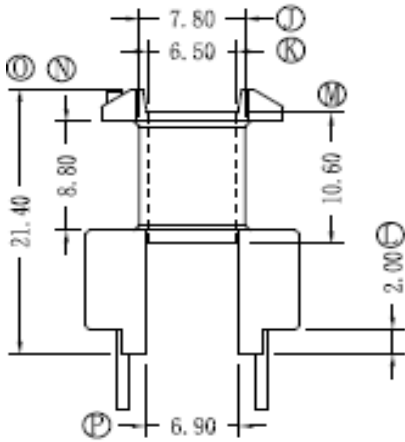
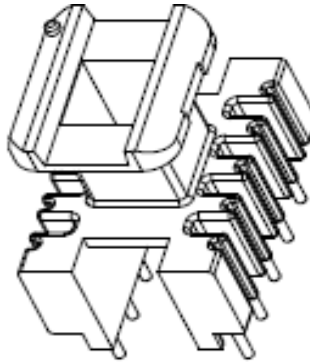
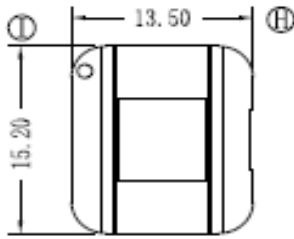


Dimensions in mm

Country of Origin: China	RoHS Certified: YES	UL Molder Certification: E315110
Bobbin Material: PHENOLIC Chang Chung T375HF		Drawing Number: BE 22-118CP-PM-P6.0
UL File: E59481	UL Rec: 94-V0	P-2207
MH&W International Corp		Pin Tension:
Phone 201-891-8800 Email: sales@mhw-intl.com		Pin Plating: CuSn
Part Number: BE 22-118CP-PM-P6.0		

BE 22-1110CP-MX-P6.0

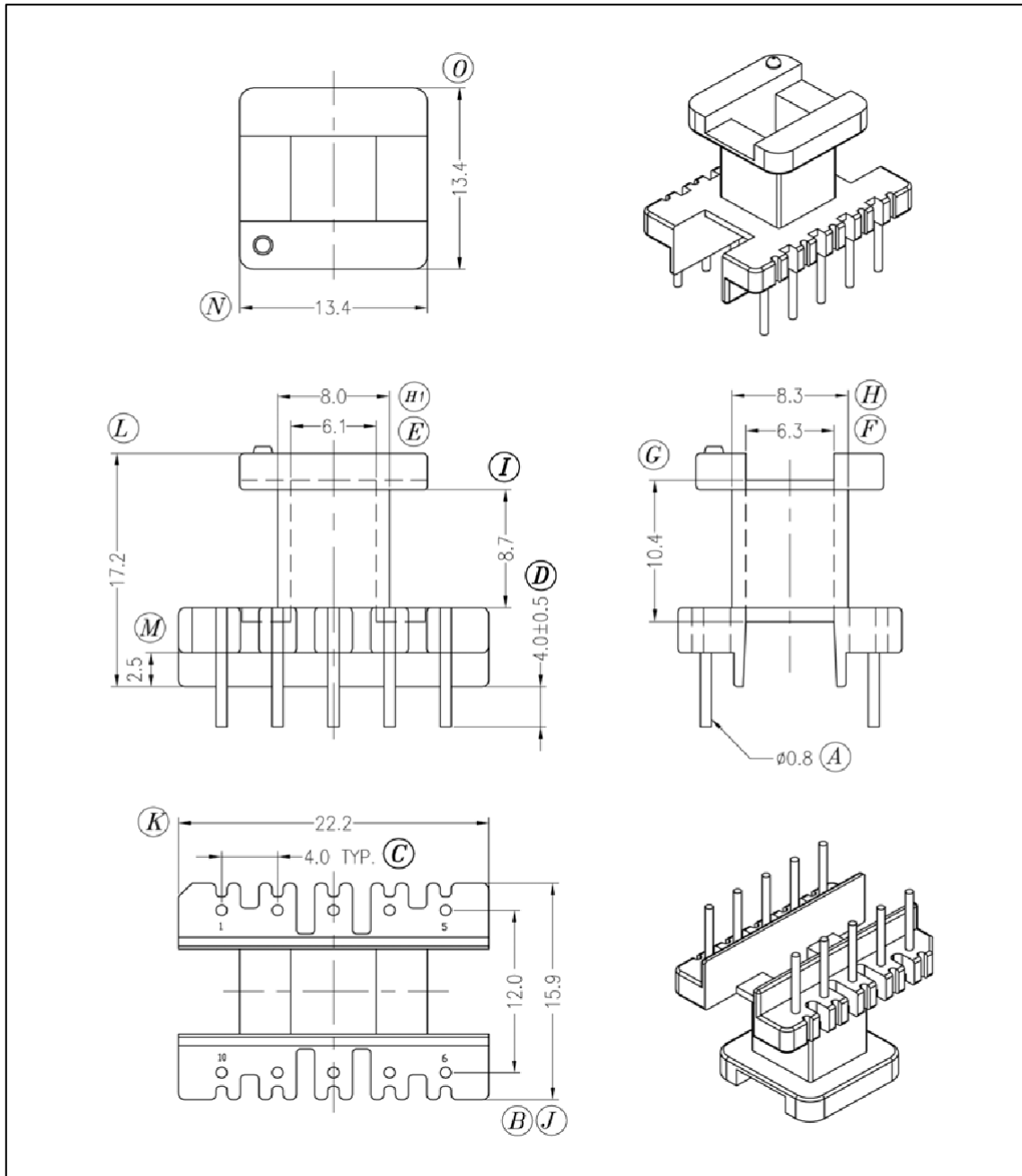
REV	DATE	DESCRIPTION	BY
-	2022/06/09	INITIAL ISSUE	dr



Tolerances: 0<L≤4 ±0.2; 4<L≤16 ±0.3; 16<L≤63 ±0.4		Pin Pitch: ± 0.2	Dimensions in mm
Country of Origin: China	RoHS Certified: YES	Title: BOBBIN EI22, 10 PIN	
UL Molder Certification: E315110		Drawing Number: BE 22-1110CP-MX-P6.0	
Bobbin Material: Chang Chun T375HF		Pin Material: CP Wire	
UL File: E59481	UL Rec: 94-V0	MX-2212	Pin Tension: 1.5Kgm min
Finish: CuSn (~2%Cu)		Part Number: BE 22-1110CP-MX-P6.0	
MH&W International Corp Phone 201-891-8800 Email: sales@mhw-intl.com			

BE 22-1110CP-P

Revisions	
1	Added country of origin & RoHS
2	Corrected Bobbin Material

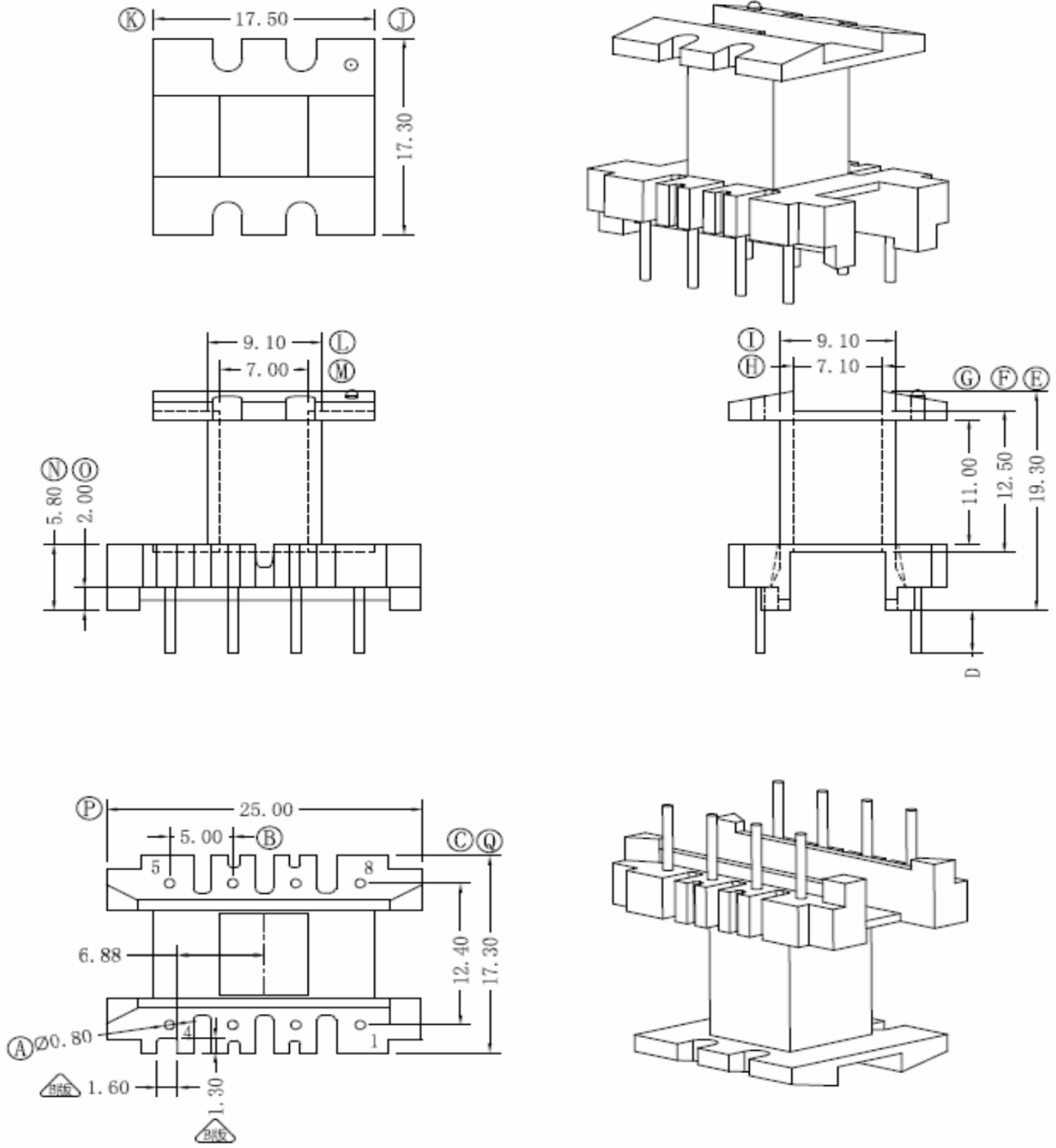


Dimensions in mm

Country of Origin: China		RoHS Certified: YES	
Bobbin Material: Chang Chun Plastics T375J		Drawing Number: BE 22-1110CP-P-2	
UL File: E59481	UL Rec: 94-V0	P-2202-3	Pin Material: Steel Wire (CP)
MH&W International Corp Phone 201-891-8800 Email: sales@mhw-intl.com		Pin Tension: 1.0Kgm min	Finish: e3 (JEDEC)
		Part Number: BE 22-1110CP-P	

BE 25-118CP-MX-P6.0

Revision			
-	2016/08/31	Initial Issue	gvs



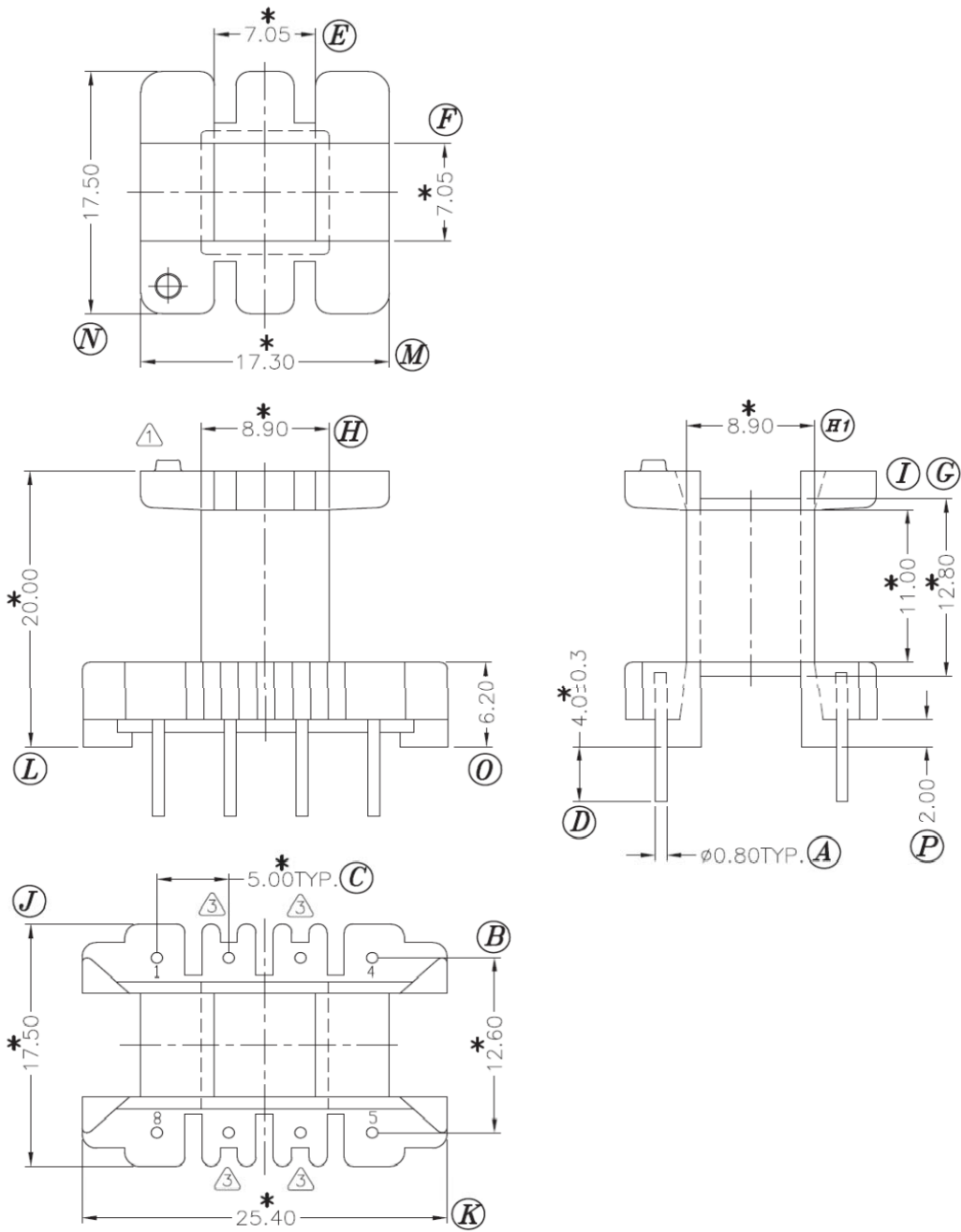
TDK Core: EE25.4

Dimensions in mm

Country of Origin: China	RoHS Certified: YES	UL Molder Certification: E470132
Bobbin Material: Sumitomo Phenolic PM9630	Drawing Number: BE 25-118CP-MX-P6.0	
UL File: E41429	UL Rec: 94-V0	MX-2539
MH&W International Corp		Pin Tension: 1.0Kgm min
Phone 201-891-8800 Email: sales@mhw-intl.com		Pin Plating: CuSn (~2%Cu)
Part Number: BE 25-118CP-MX-P6.0		

BE 25-118CP-P

Revisions	

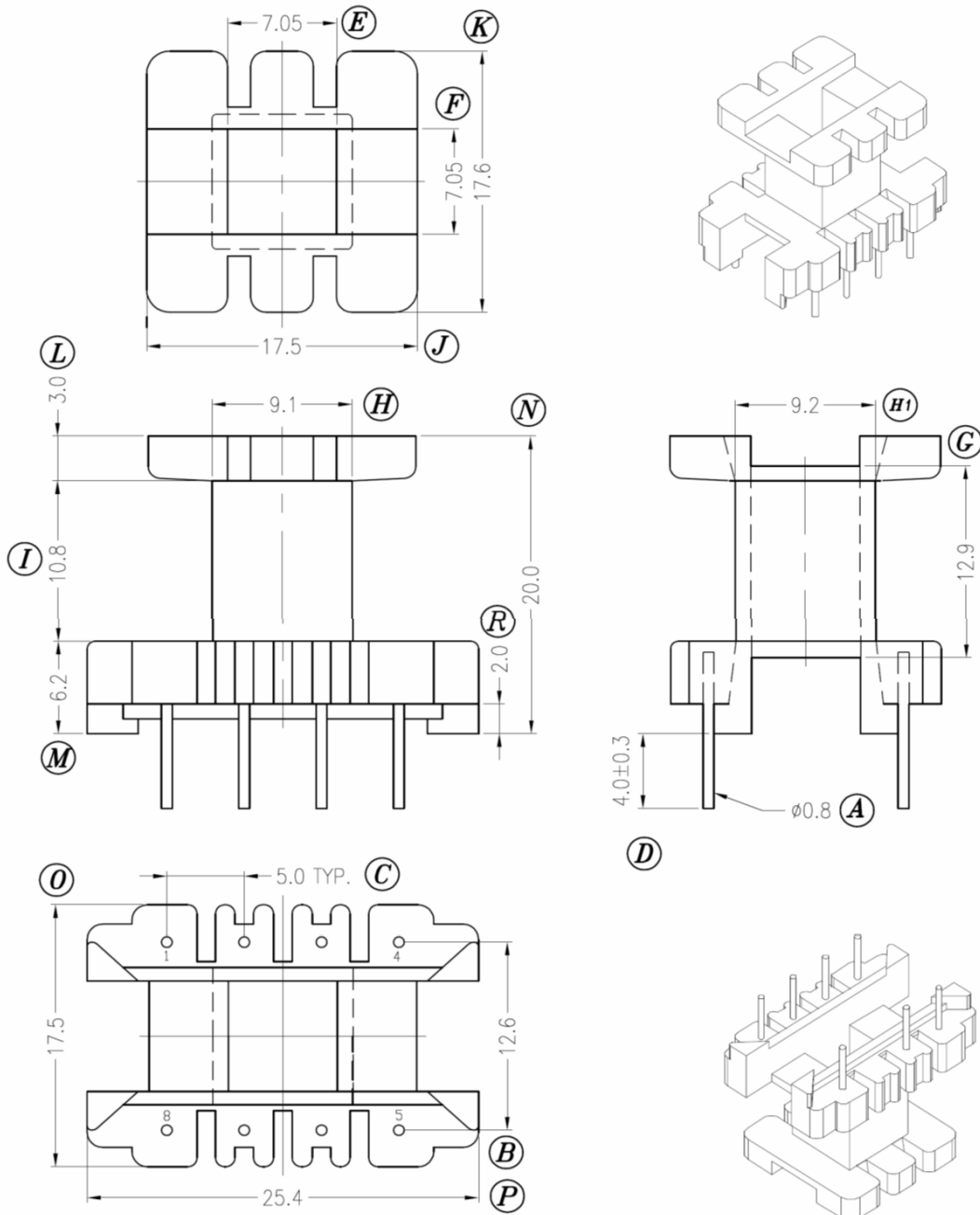


Dimensions in mm

Country of Origin: China		RoHS Certified: YES	
Bobbin Material: Chang Chung Plastics T375J		Drawing Number: BE 25-118CP-P	
UL File: E59481	UL Rec: 94-V0	P-2514-4	Pin Material: Steel Wire (CP)
MH&W International Corp Phone 201-891-8800 Email: sales@mhw-intl.com		Pin Tension: 1.5Kgm min	Finish: Tin
		Part Number: BE 25-118CP-P	

BE 25-118CP-P-P4.0

Revisions			

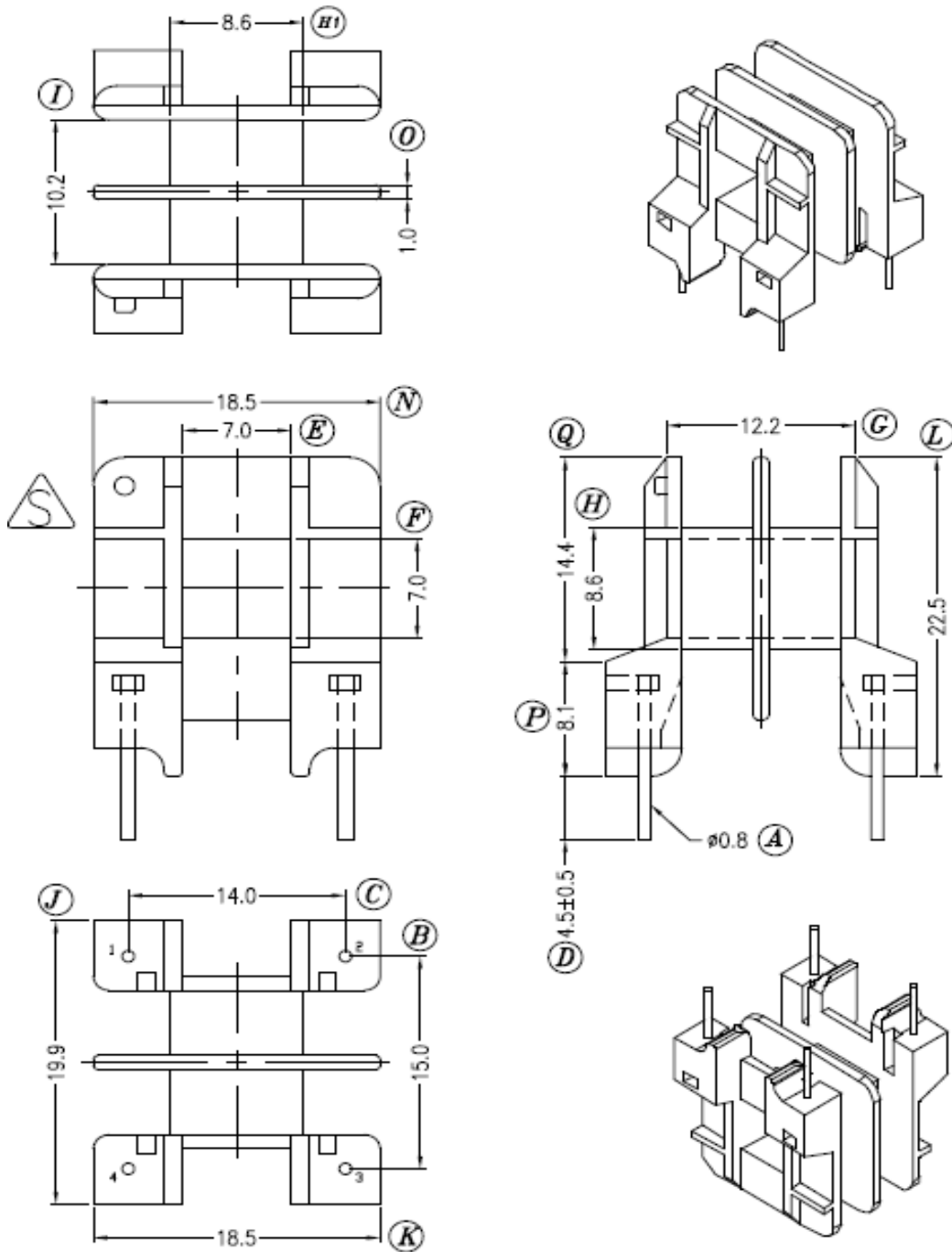


Dimensions in mm

Country of Origin: China	RoHS Certified: YES	UL Molder Certification: E163831
Bobbin Material: Chang Chung Plastics T375J		Drawing Number: BE 25-118CP-P-P4.0
UL File: E59481	UL Rec: 94-V0	P-2514-P4.0
Pin Material: Steel Wire (CP)		Pin Tension: 1.5Kgm min
Finish: Tin		Part Number: BE 25-118CP-P-P4.0
MH&W International Corp Phone 201-891-8800 Email: sales@mhw-intl.com		

BE 25-424CPV-P-P4.5

REV	DATE	DESCRIPTION	BY
-	2021/06/24	INITIAL ISSUE	dr

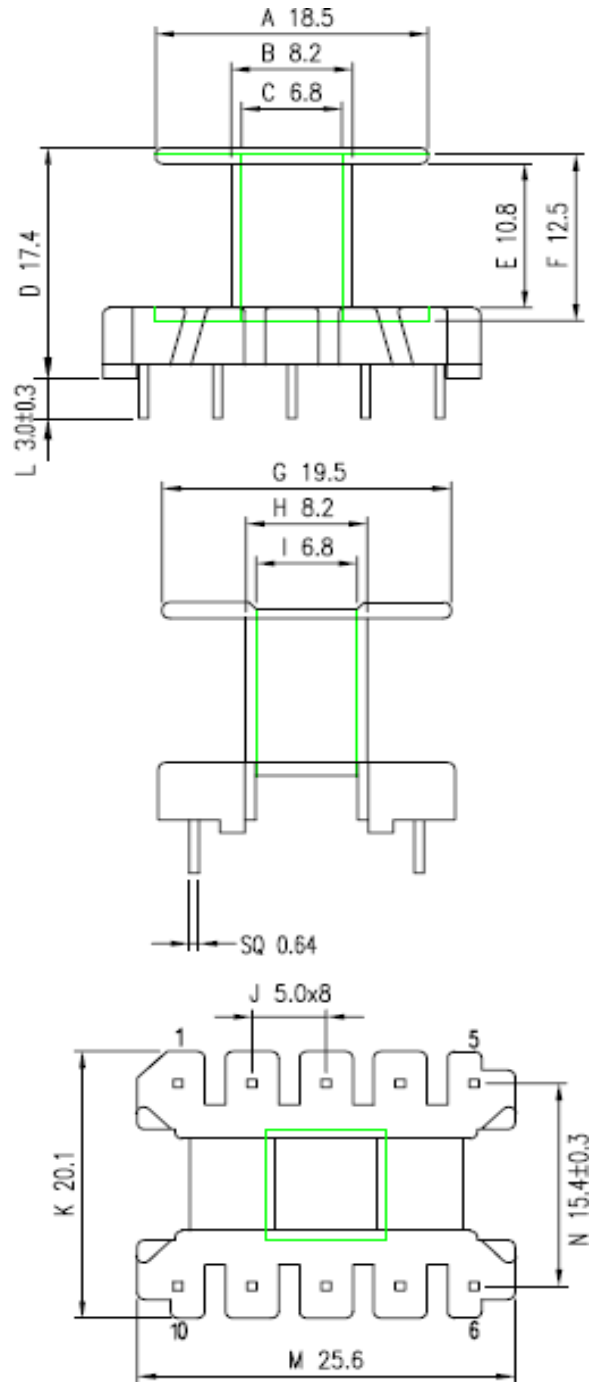


Dimensions in mm

Tolerances: 0<L≤4 ±0.2; 4<L≤16 ±0.3; 16<L≤63 ±0.4		Pin Pitch: ± 0.2	UL Molder Certification: E163831
Country of Origin: China	RoHS Certified: YES	Title: EE-25 Vertical 2 Section 4 Pin	
Bobbin Material: PBT Shinkong E202G30		Drawing Number: BE 25-424CPV-P-P4.5	
E107536	UL Rec: 94-V0	P-2504	Pin Material: Steel Wire (CP)
MH&W International Corp Phone 201-891-8800 Email: sales@mhw-intl.com		Pin Tension: 1.5Kgm min	Finish: matte Sn
		Part Number: BE 25-424CPV-P-P4.5	

BE 25-1110CP-T-SQ3.0

Revisions			
-	2018/06/08	INITIAL ISSUE	dar



Dimensions in mm

Country of Origin: China

RoHS Certified: YES

Bobbin Material: PHENOLIC Chang Chung T375J

UL File: E59481

UL Rec: 94-V0

0502506 RevA

MH&W International Corp

Phone 201-891-8800 Email: sales@mhw-intl.com

UL Molder Certification: E172381

Tolerances: .XXX ±0.09 : .XX ±0.2 : .X ±0.3

Drawing Number: BE 25-1110CP-T-SQ3_0

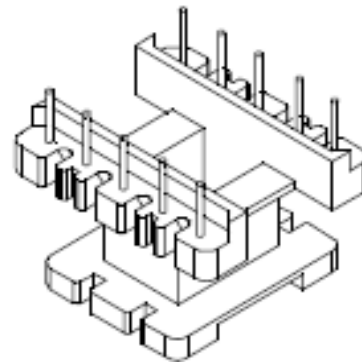
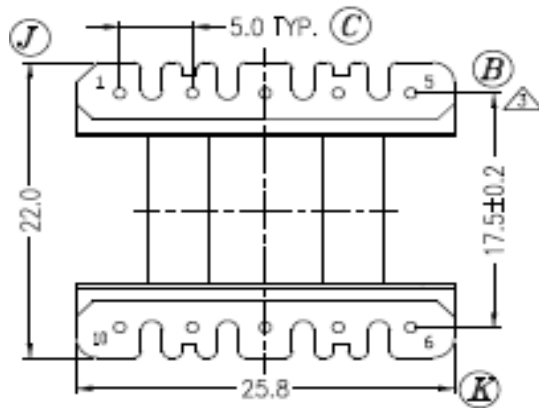
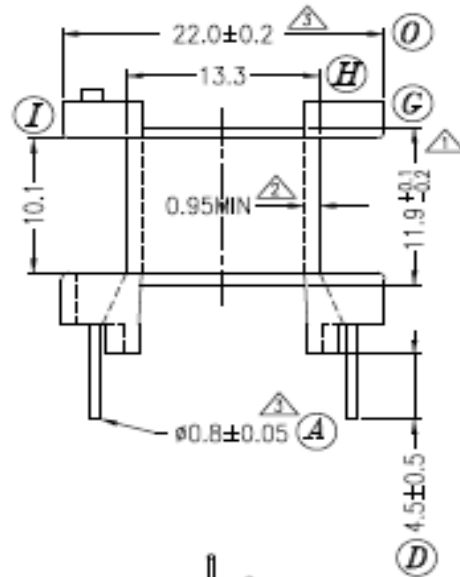
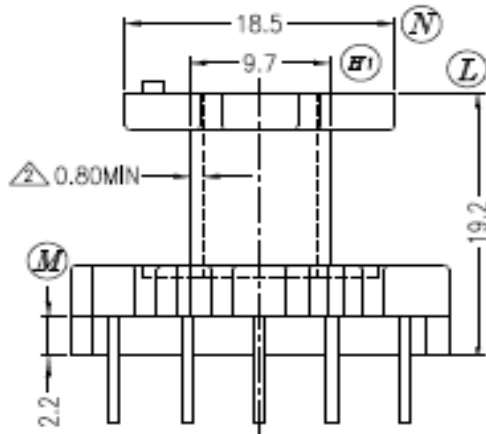
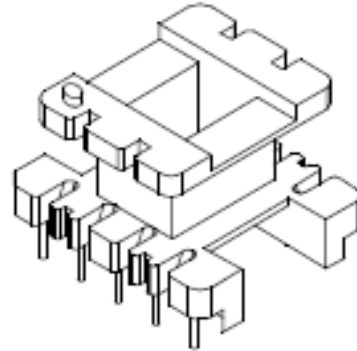
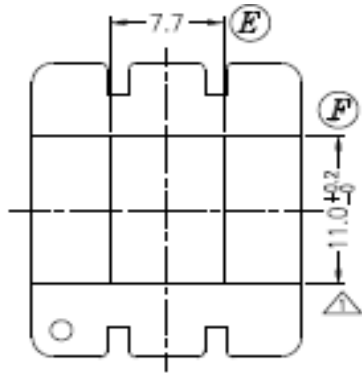
Pin Material: Steel Wire (CP)

Finish: Matte Sn

Part Number: BE 25-1110CP-T-SQ3.0

BE 28-1110CP-P-P4.5

REV	DATE	DESCRIPTION	BY
-	2023/09/13	Initial Issue	dr

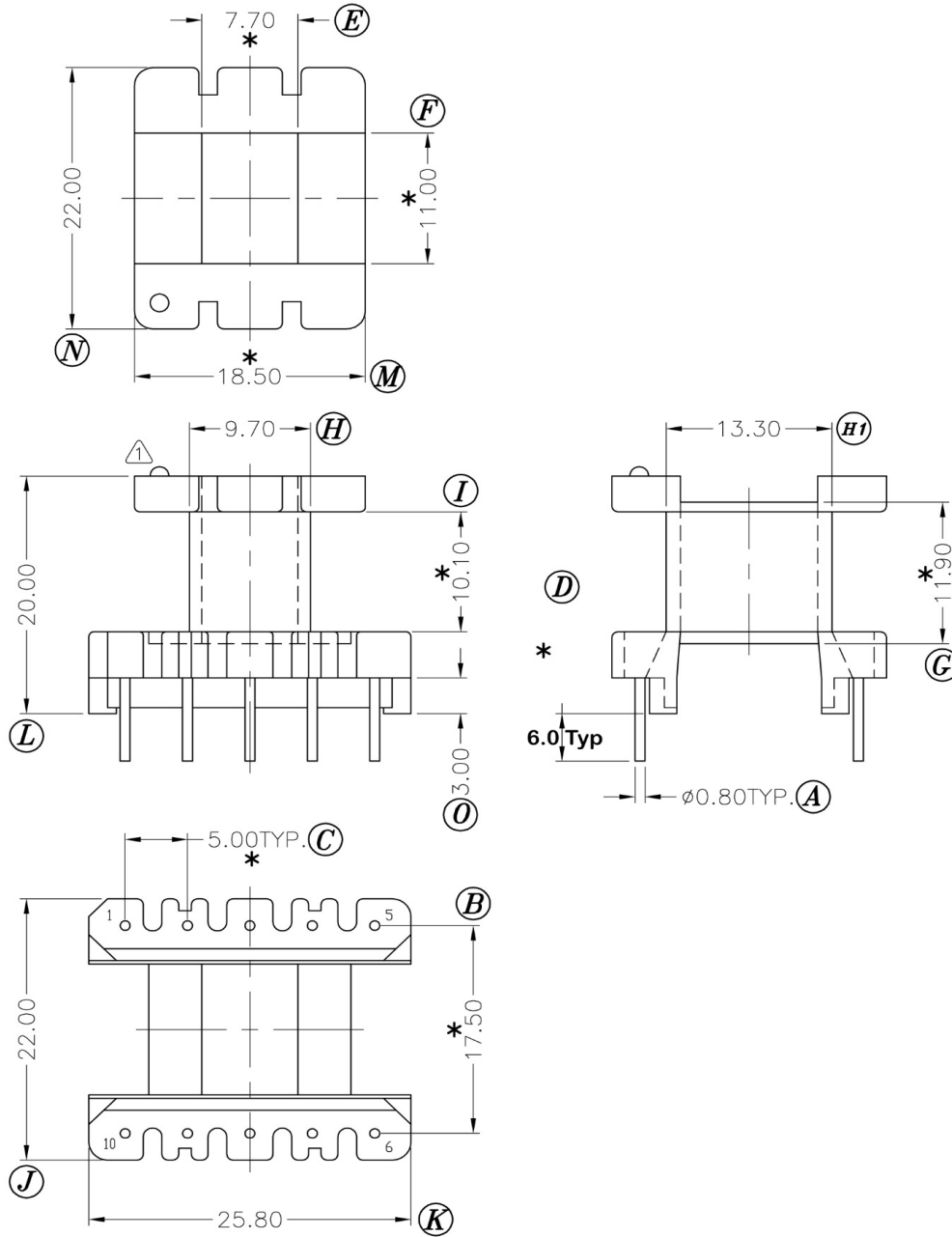


Dimensions in mm

Country of Origin: China	RoHS Certified: YES	UL Molder Certification: E163831
Bobbin Material: Chang Chung Plastics T375HF	Drawing Number: BE 28-1110CP-P-P4.5	
UL File: E59481	UL Rec: 94-V0	P-2807-2
Pin Material: Steel Wire (CP)		Pin Tension: 2.0Kgm min
Finish: matte Sn		Part Number: BE 28-1110CP-P-P4.5
MH&W International Corp Phone 201-891-8800 Email: sales@mhw-intl.com		

BE 28-1110CP-P-P6.0

REV	DATE	DESCRIPTION	BY
1	2023/02/24	Change mat'l from T375J to T375HF on new orders.	dr

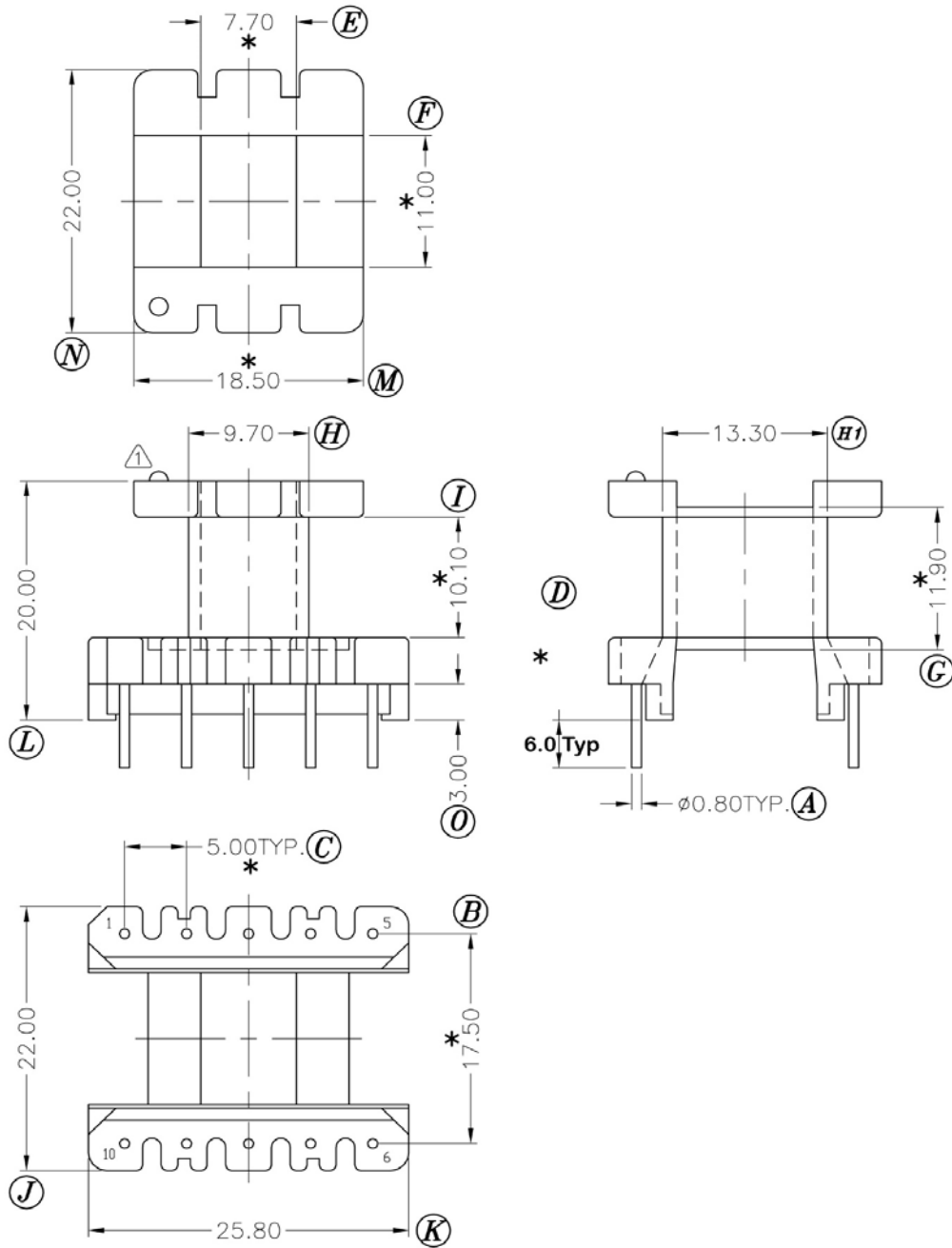


Dimensions in mm

Country of Origin: China	RoHS Certified: YES	UL Molder Certification: E163831
Bobbin Material: Chang Chung Plastics T375HF		Drawing Number: BE 28-1110CP-P-P6.0
UL File: E59481	UL Rec: 94-V0	P-2807-P6.0
Pin Material: Steel Wire (CP)		Pin Tension: 1.5Kgm min
Finish: matte Sn		Part Number: BE 28-1110CP-P-P6.0
MH&W International Corp Phone 201-891-8800 Email: sales@mhw-intl.com		

BE 28-1110CP-P-P6.0

Revisions	

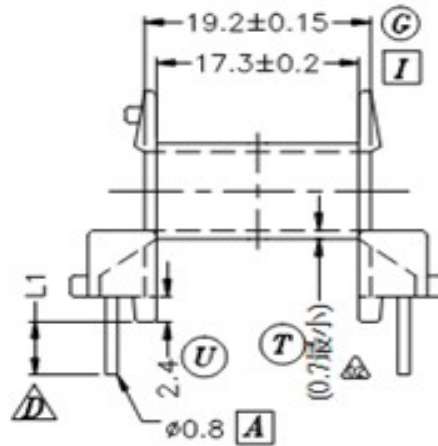
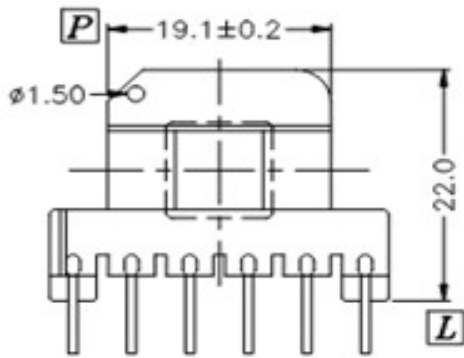
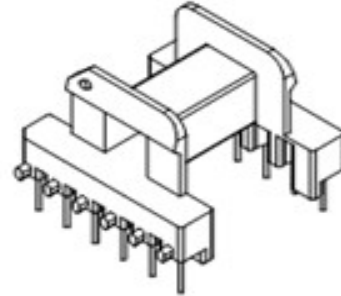
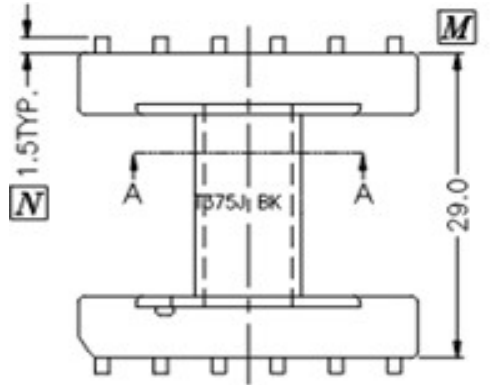


Dimensions in mm

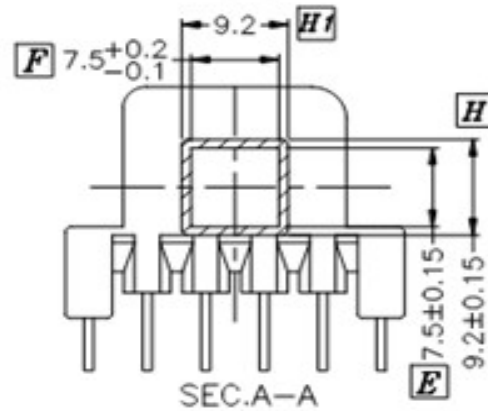
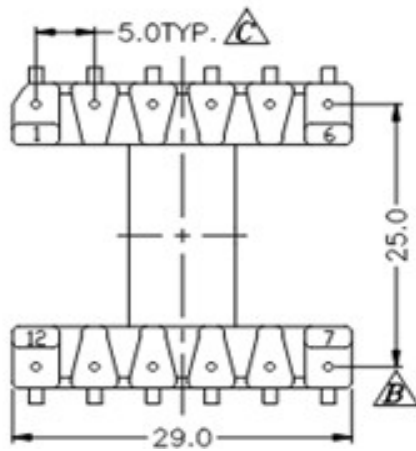
Country of Origin: China	RoHS Certified: YES	UL Molder Certification: E163831
Bobbin Material: Chang Chung Plastics T375J		Drawing Number: BE 28-1110CP-P-P6.0
UL File: E59481	UL Rec: 94-V0	P-2807-P6.0
Pin Material: Steel Wire (CP)		
MH&W International Corp		Pin Tension: 1.5Kgm min
Phone 201-891-8800 Email: sales@mhw-intl.com		Finish: matte Sn
Part Number: BE 28-1110CP-P-P6.0		

BE 30-1110CP-P-P7.0

REV	DATE	DESCRIPTION	BY
-	2025/10/15	INITIAL ISSUE	dr



L1 = 7.0



Tolerances: 0<L≤4 ±0.2; 4<L≤16 ±0.3; 16<L≤63 ±0.4

Pin Pitch: ± 0.3

Dimensions in mm

Country of Origin: China

RoHS Certified: YES

Title:

BOBBIN EE-30H 10 PIN

UL Molder Certification: E163831

Bobbin Material: ChangChun T375J

Drawing Number: BE 30-1110CP-P-P7.0

UL File: E59481

UL Rec: 94-V0

P-3002

Pin Material: STEEL WIRE (CP)

Finish: Sn

MH&W International Corp

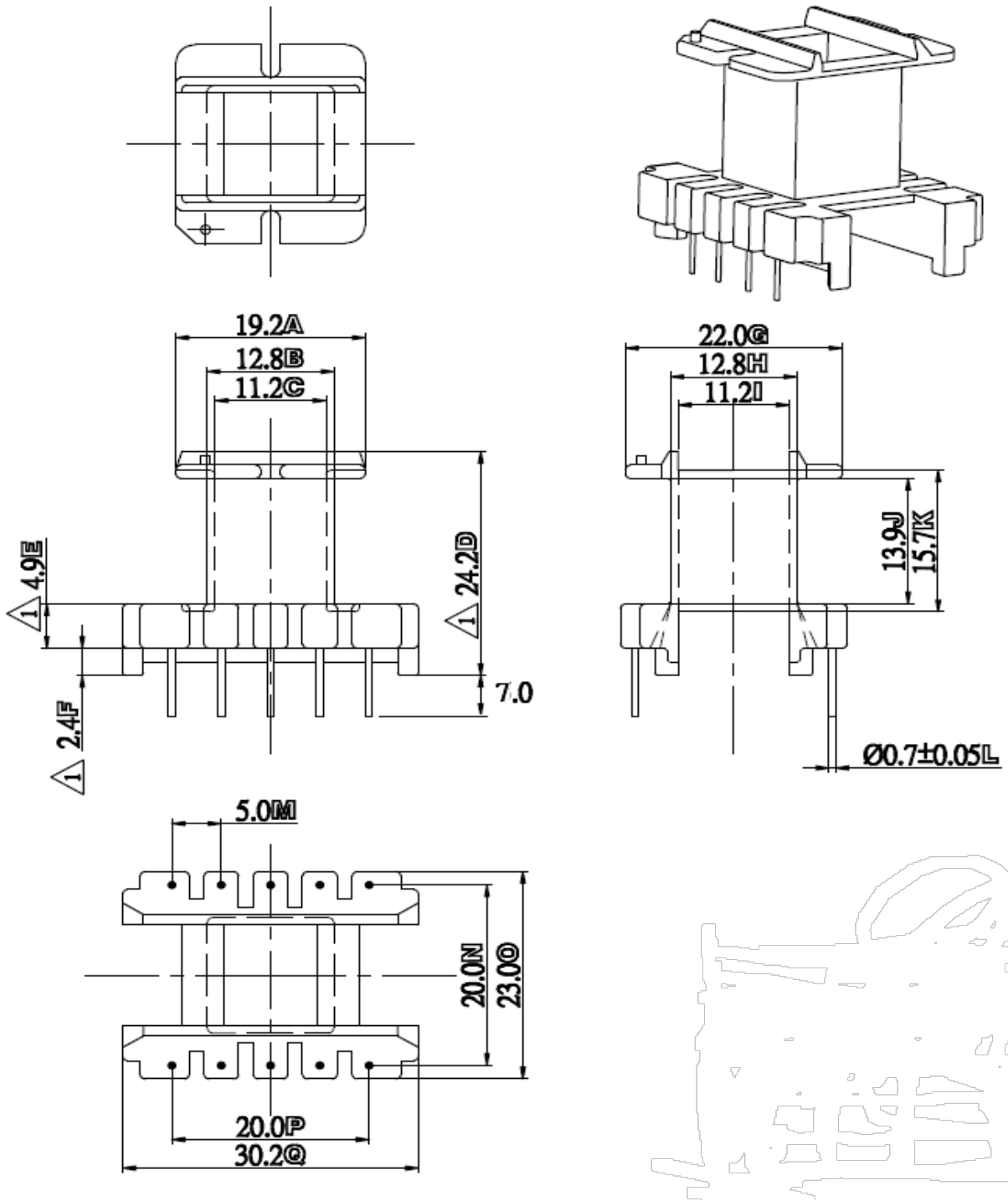
Pin Tension: 2.0 Kgm min

Phone 201-891-8800 Email: sales@mhw-intl.com

Part Number: BE 30-1110CP-P-P7.0

BE 30-1110CP-S-P7.0

REVISIONS	DATE	DESCRIPTION	BY
-	2025/10/06	INITIAL ISSUE	dr



Dimensions in mm

Pin Pitch: ± 0.2

UL Molder Certification: E149570

Country of Origin: China

RoHS Certified: YES

Tolerances: $0 < L \leq 4 \pm 0.2$; $4 < L \leq 16 \pm 0.3$; $16 < L \leq 63 \pm 0.4$

Bobbin Material: Sumitomo PM-9820

Drawing Number: BE 30-1110CP-S-P7.0

UL File: E41429

UL Rec: 94-V0

TF-3010

Pin Material: Steel Wire (CP)

MH&W International Corp

Pin Tension: 1.0Kgm min

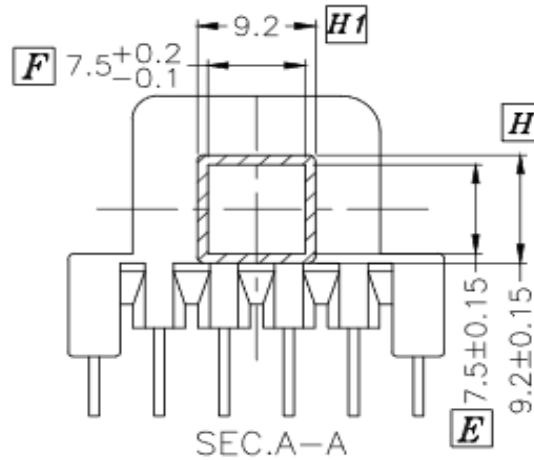
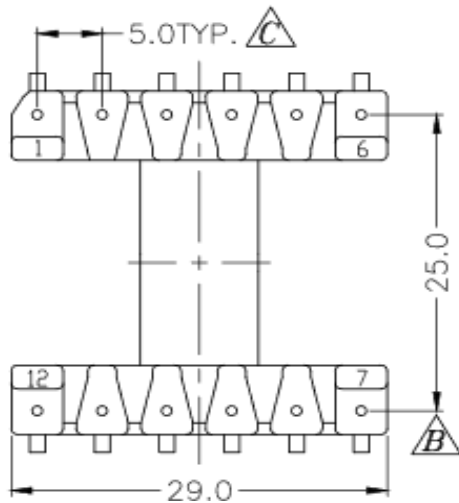
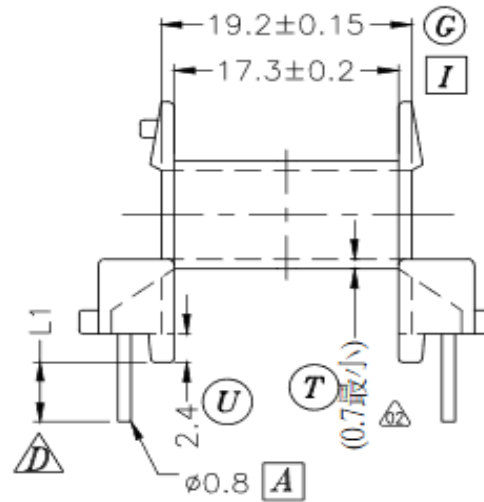
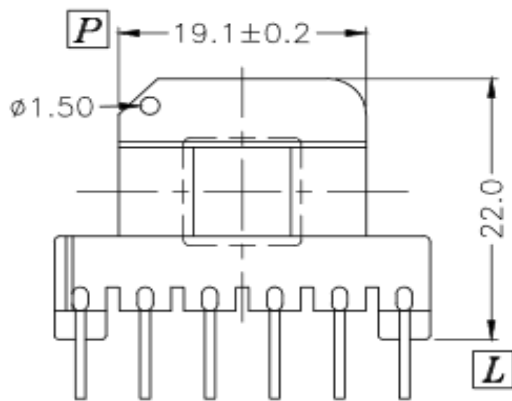
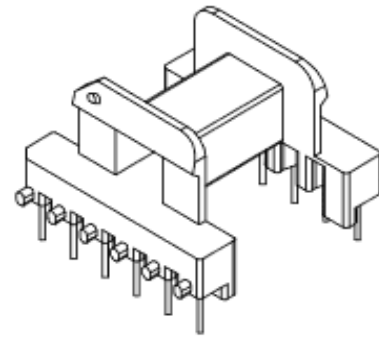
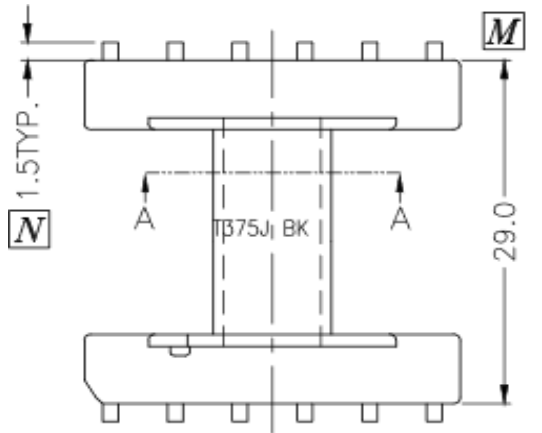
Finish: matte Sn

Phone 201-891-8800 Email: sales@mhw-intl.com

Part Number: BE 30-1110CP-S-P7.0

BE 30-1112CPH-P-P4.0

REV	DATE	DESCRIPTION	BY
-	2020/05/04	INITIAL ISSUE	dr

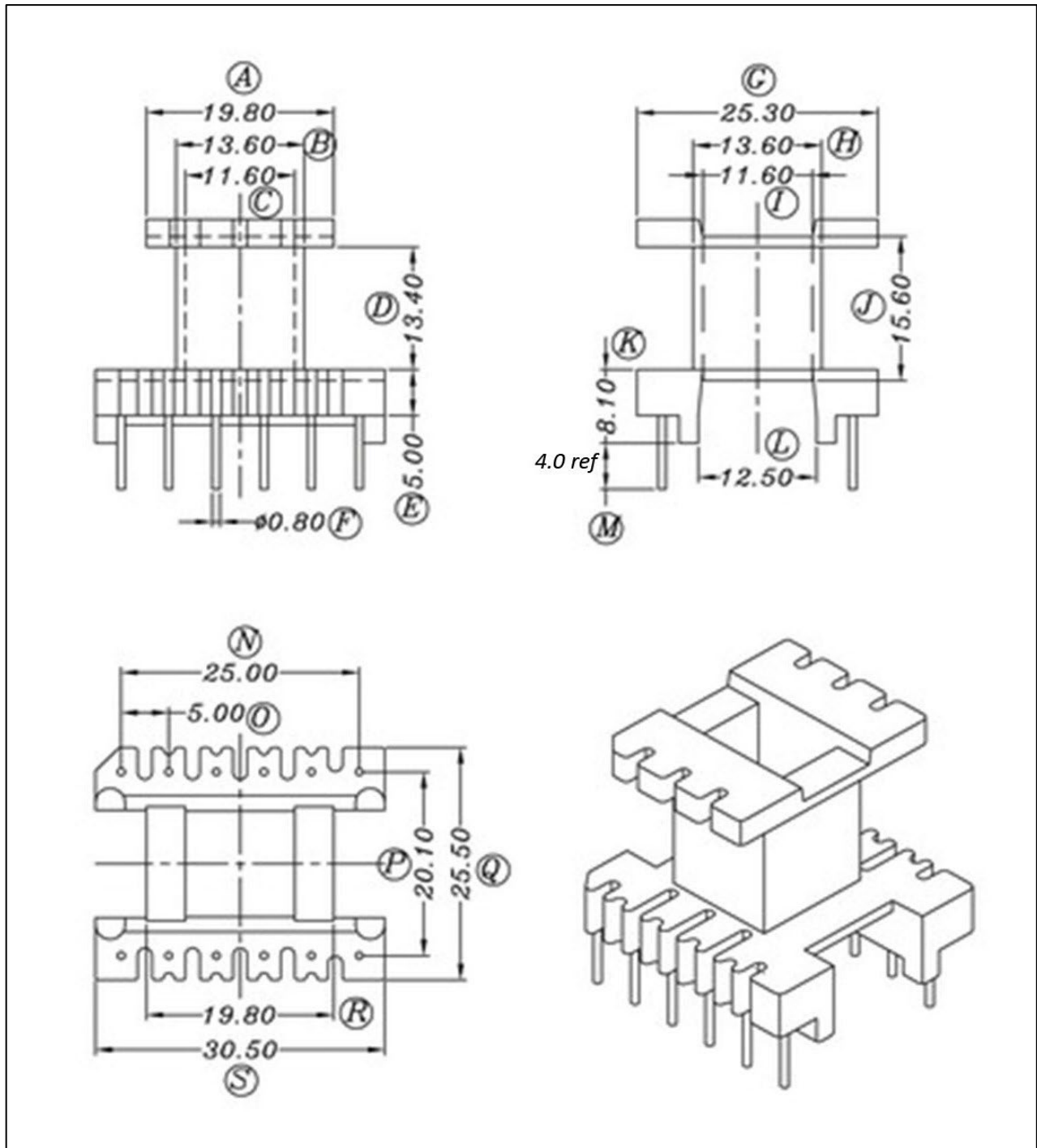


PIN LENGTH L1 = 4.0 +/- 0.5

Dimensions in mm

Tolerances: 0<L≤4 ±0.2; 4<L≤16 ±0.3; 16<L≤63 ±0.4		Pin Pitch: ± 0.2	UL Molder Certification: E163831
Country of Origin: China	RoHS Certified: YES	Title: BOBBIN EE-30H 12 PIN	
Bobbin Material: Phenolic Sumitomo PM-9630		Drawing Number: BE 30-1112CPH-P-P4.0	
UL File: E41429	UL Rec: 94-V0	P-3002	Pin Material: Steel Wire (CP)
MH&W International Corp		Pin Tension: 1.5Kgm min	Finish: matte Sn
Phone 201-891-8800 Email: sales@mhw-intl.com		Part Number: BE 30-1112CPH-P-P4.0	

BE 30-1112CP-PM-P4.0

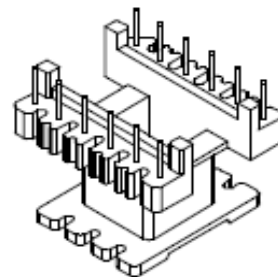
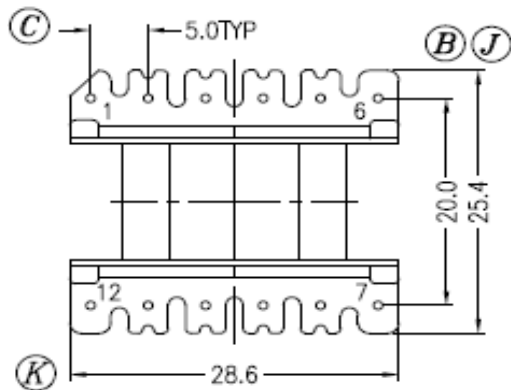
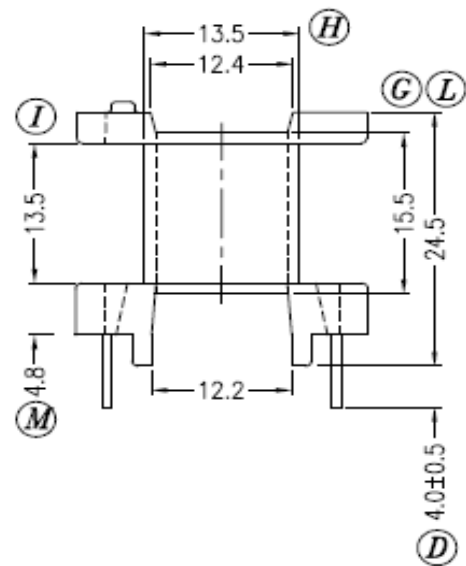
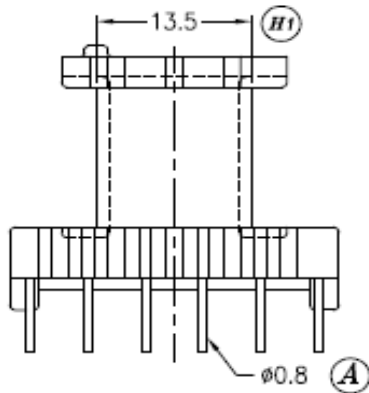
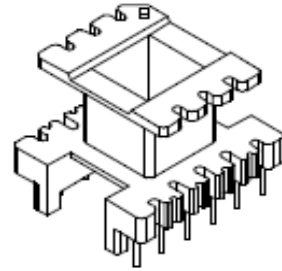
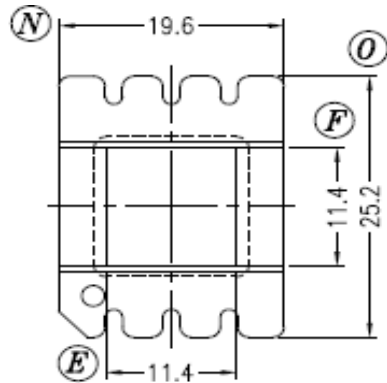


Dimensions in mm

Country of Origin: China		RoHS Certified: YES	
Bobbin Material: Chang Chun Plastics T375J		MHW Drawing Number: BE 30-1112CP-PM-P4.0	
UL File: E59481	UL Rec: 94-V0	P-3005	Pin Material: Steel Wire (CP)
MH&W International Corp		Pin Tension: 1.5Kgm	Finish: Tin
Phone 201-891-8800 Email: sales@mhw-intl.com		MHW Part Number: BE 30-1112CP-PM-P4.0	

BE 30-1112CP-P-P4.0

REVISIONS	DATE	DESCRIPTION	BY
-	2019/11/05	INITIAL ISSUE	dr

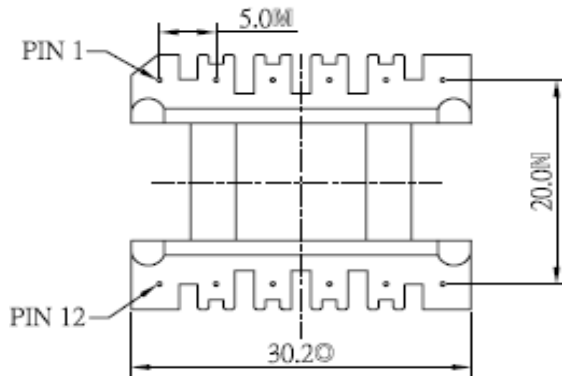
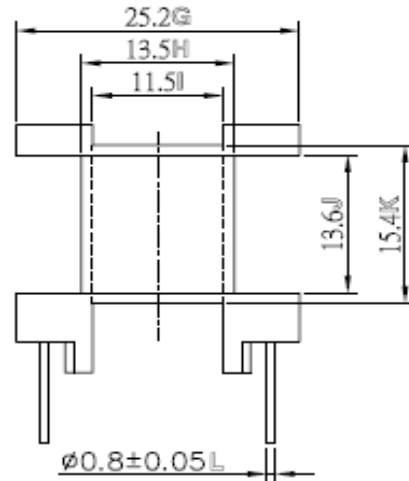
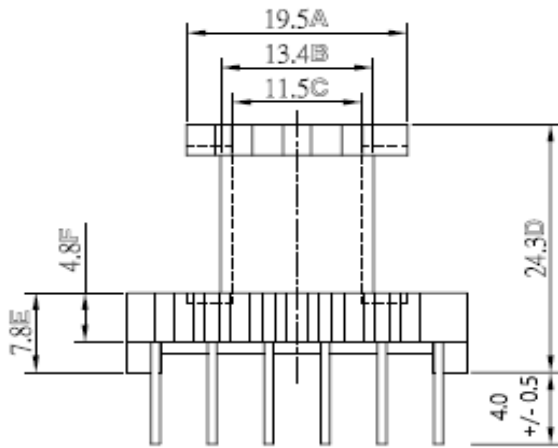
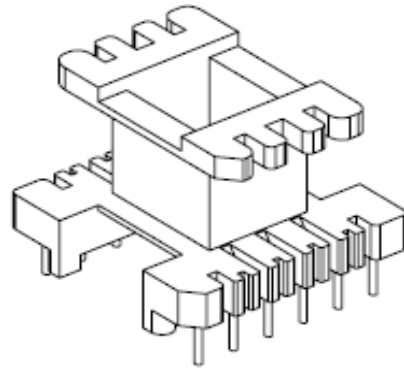
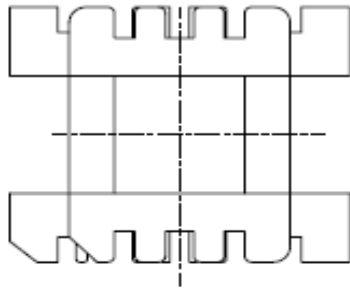


Dimensions in mm

Pin Pitch: ± 0.2		UL Molder Certification: E163831	
Country of Origin: China		RoHS Certified: YES	
Bobbin Material: Sumitomo PM-9820		Tolerances: 0<L≤4 ±0.2; 4<L≤16 ±0.3; 16<L≤63 ±0.4	
UL File: E41429		Drawing Number: BE 30-1112CP-P-P4.0	
UL Rec: 94-V0		Pin Material: Steel Wire (CP)	
P-3003		Pin Tension: 1.5Kgm min	
Finish: matte Sn		Part Number: BE 30-1112CP-P-P4.0	
MH&W International Corp Phone 201-891-8800 Email: sales@mhw-intl.com			

BE 30-1112CP-S-P4.0

REVISIONS	DATE	DESCRIPTION	BY
-	2019/11/05	INITIAL ISSUE	dr



Dimensions in mm

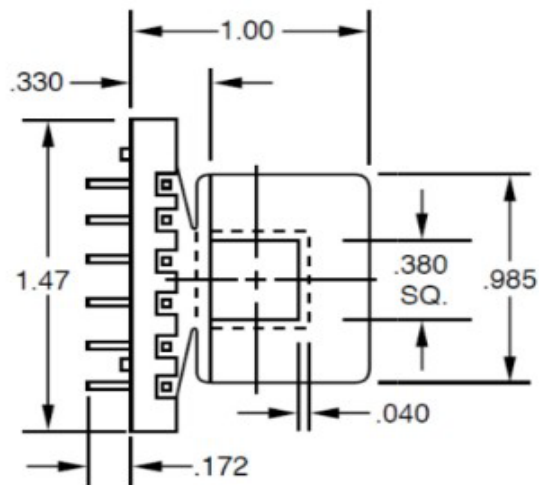
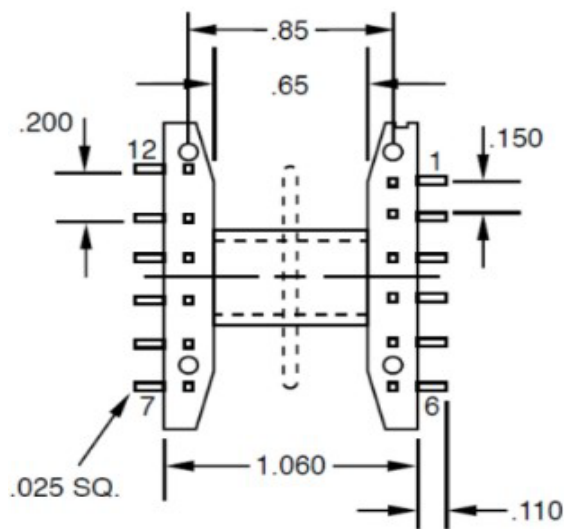
Pin Pitch: ± 0.2		UL Molder Certification: E149570	
Country of Origin: China		RoHS Certified: YES	
Bobbin Material: Sumitomo PM-9820		Tolerances: $0 < L \leq 4 \pm 0.2$; $4 < L \leq 16 \pm 0.3$; $16 < L \leq 63 \pm 0.4$	
UL File: E41429		Drawing Number: BE 30-1112CP-S-P4.0	
UL Rec: 94-V0		TF-3004	
Pin Material: Steel Wire (CP)		Pin Tension: 1.5Kgm min	
Finish: matte Sn		Part Number: BE 30-1112CP-S-P4.0	
MH&W International Corp Phone 201-891-8800 Email: sales@mhw-intl.com			

BE 34-5112DS-TJ-P4.37

(US LAM EI-375)

REV	DATE	DESCRIPTION	BY
-	2025/09/04	INITIAL ISSUE	dr

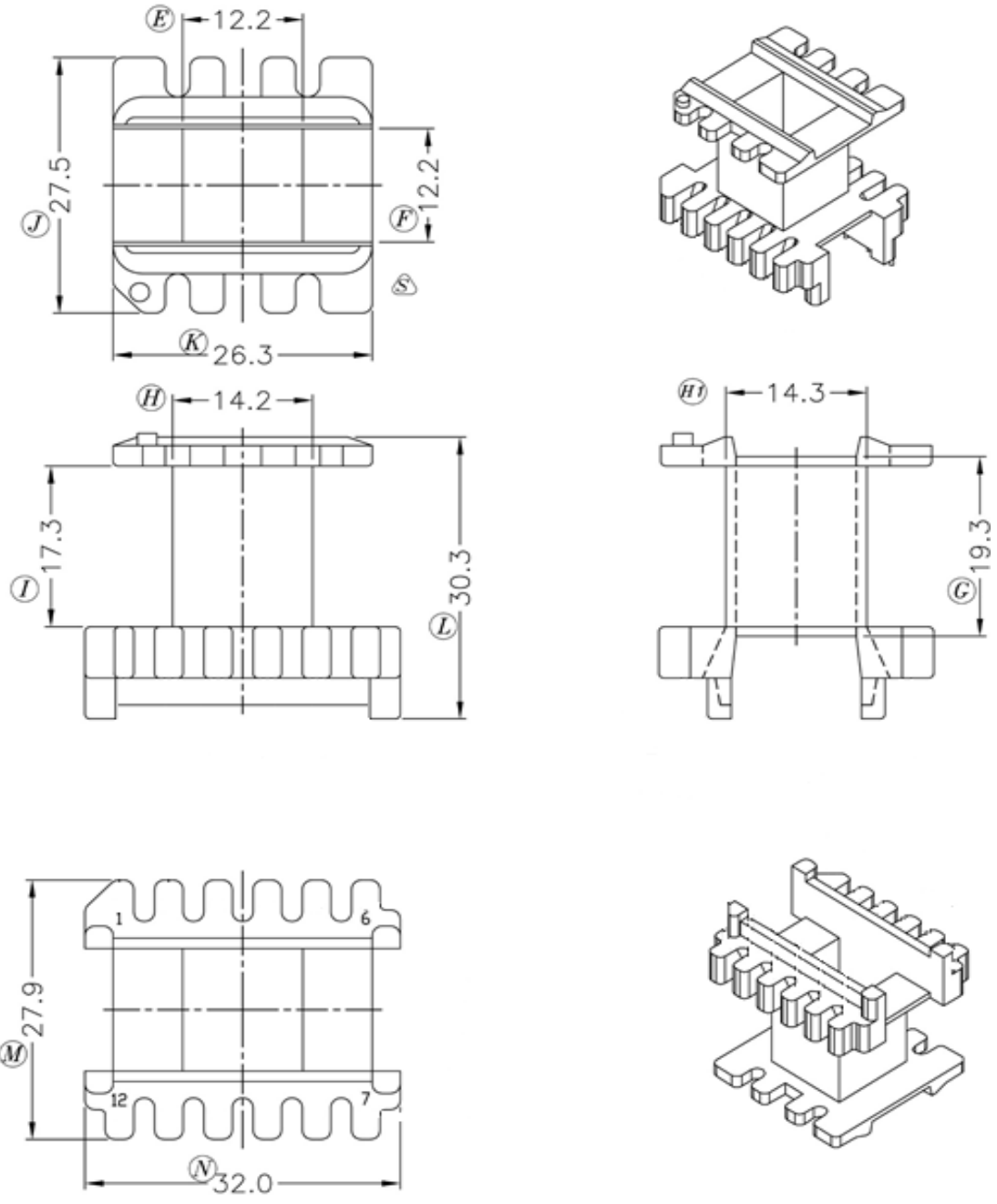
Uses .025 Square Wire



Tolerances: 0<L≤4 ±0.2; 4<L≤16 ±0.3; 16<L≤63 ±0.4		Pin Pitch: ± 0.2	Dimensions in inches
Country of Origin: USA	RoHS Certified: YES	Title: BOBBIN E34/14/9 12 PINS (US LAM EI-375)	
UL Molder Certification: B1646		Drawing Number: BE 34-5112DS-TJ-P4.37	
Bobbin Material: Radilon A.RV300K Glass Filled Nylon		Pin Material: Phosphor Bronze 510	Finish: Tin
UL File: E164279	UL Rec: 94-V0	1126-01-GFG	Pin Tension: n/a
MH&W International Corp		Part Number: BE 34-5112DS-TJ-P4.37	
Phone 201-891-8800 Email: sales@mhw-intl.com			

BE 40-1100 NO PIN

REVISIONS	DATE	DESCRIPTION	BY
-	2018/05/29	INITIAL ISSUE	dr

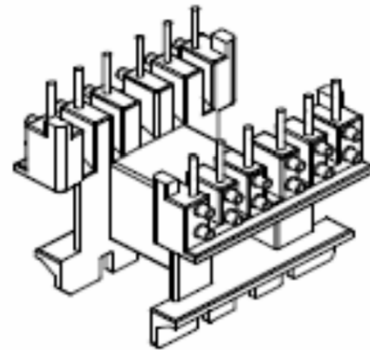
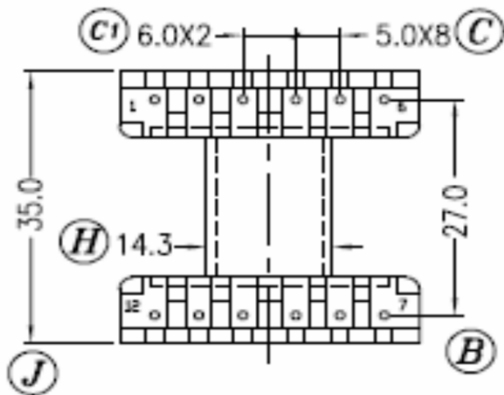
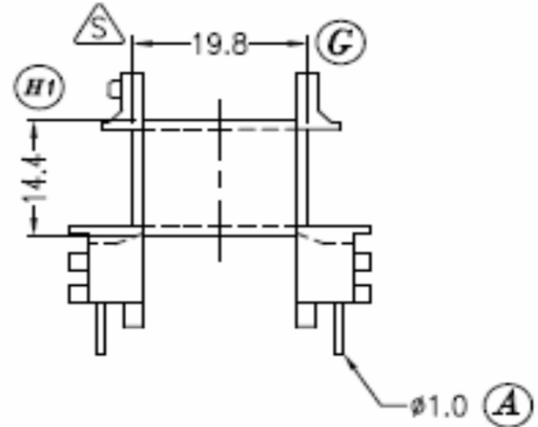
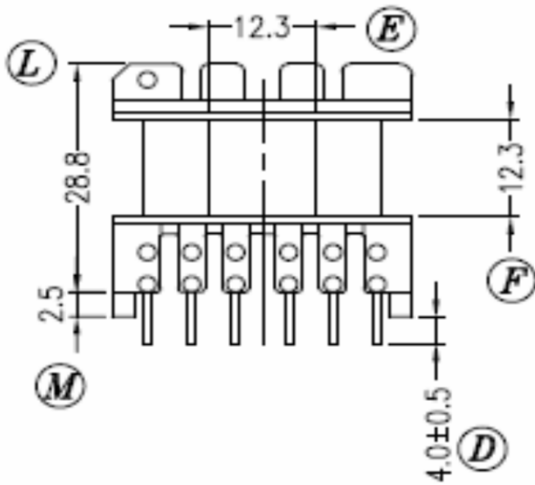
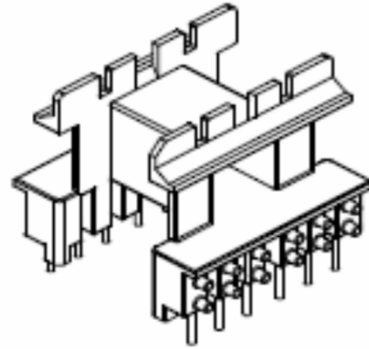
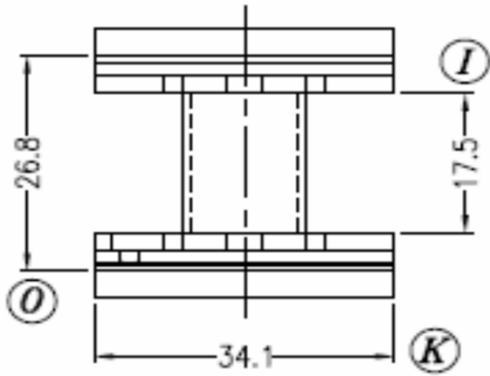


Dimensions in mm

Country of Origin: China	RoHS Certified: YES	UL Molder Certification: E163831
Bobbin Material: Sumitomo Plastics Phenolic PM9820		Drawing Number: BE 40-1100 NO PIN
UL File: E41429	UL Rec: 94-V0	P-4001NP
Pin Material: n/a		Pin Tension: n/a
Finish: n/a		Part Number: BE 40-1100 NO PIN
MH&W International Corp Phone 201-891-8800 Email: sales@mhw-intl.com		

BE 40-1112CPH-P-P4.0

Revisions			
-	2016/09/01	Initial Issue	gvs



Pin Pitch Tol: ± 0.3

Dimensions in mm

Country of Origin: China RoHS Certified: YES

Tolerances: 0 < L ≤ 4: ±0.2 4 < L ≤ 16: ± 0.3 16 < L ≤ 63: ±0.4

Bobbin Material: Phenolic Chang Chung Plastics T375J

Drawing Number: BE 40-1112CPH-P-P4.0

UL File: E59481 UL Rec: 94-V0 P-4003-P4.0

Pin Material: STEEL WIRE (CP)

MH&W International Corp

Pin Tension: 2.0Kgm min

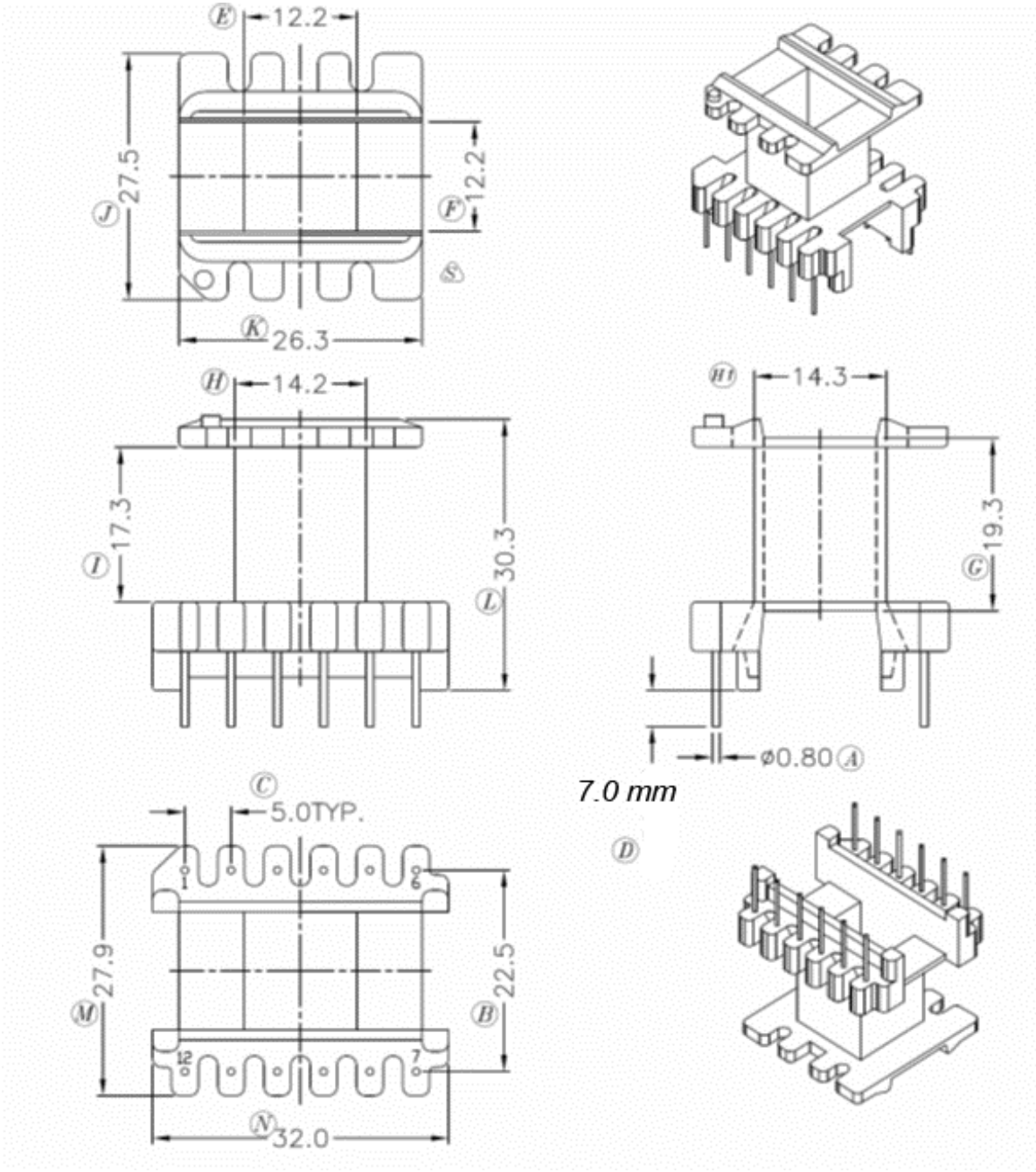
Finish: MATTE Sn

Phone 201-891-8800 Email: sales@mhw-intl.com

Part Number: BE 40-1112CPH-P-P4.0

BE 40-1112CPN-P-7

Revisions			

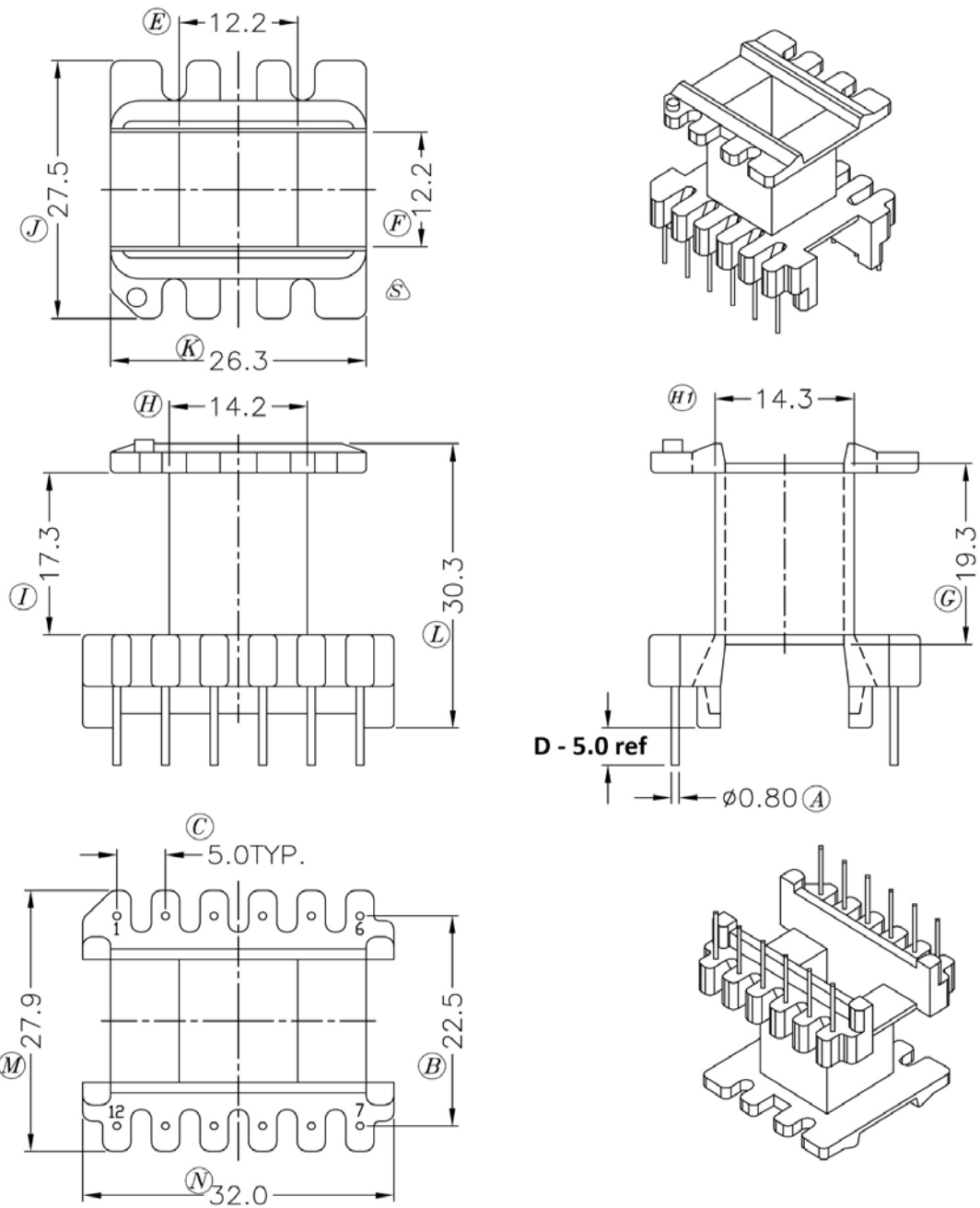


Dimensions in mm

Country of Origin: China	RoHS Certified: YES	UL Molder Certification: E163831
Bobbin Material: Chang Chung Plastics T375J	Drawing Number: BE 40-1112CPN-P-7	
UL File: E59481	UL Rec: 94-V0	P-4001-P7
Pin Material: Steel Wire (CP)		Pin Tension: 1.5Kgm min
Finish: Tin		Part Number: BE 40-1112CPN-P-7
MH&W International Corp Phone 201-891-8800 Email: sales@mhw-intl.com		

BE 40-1112CPN-P-P5.0

Revisions			

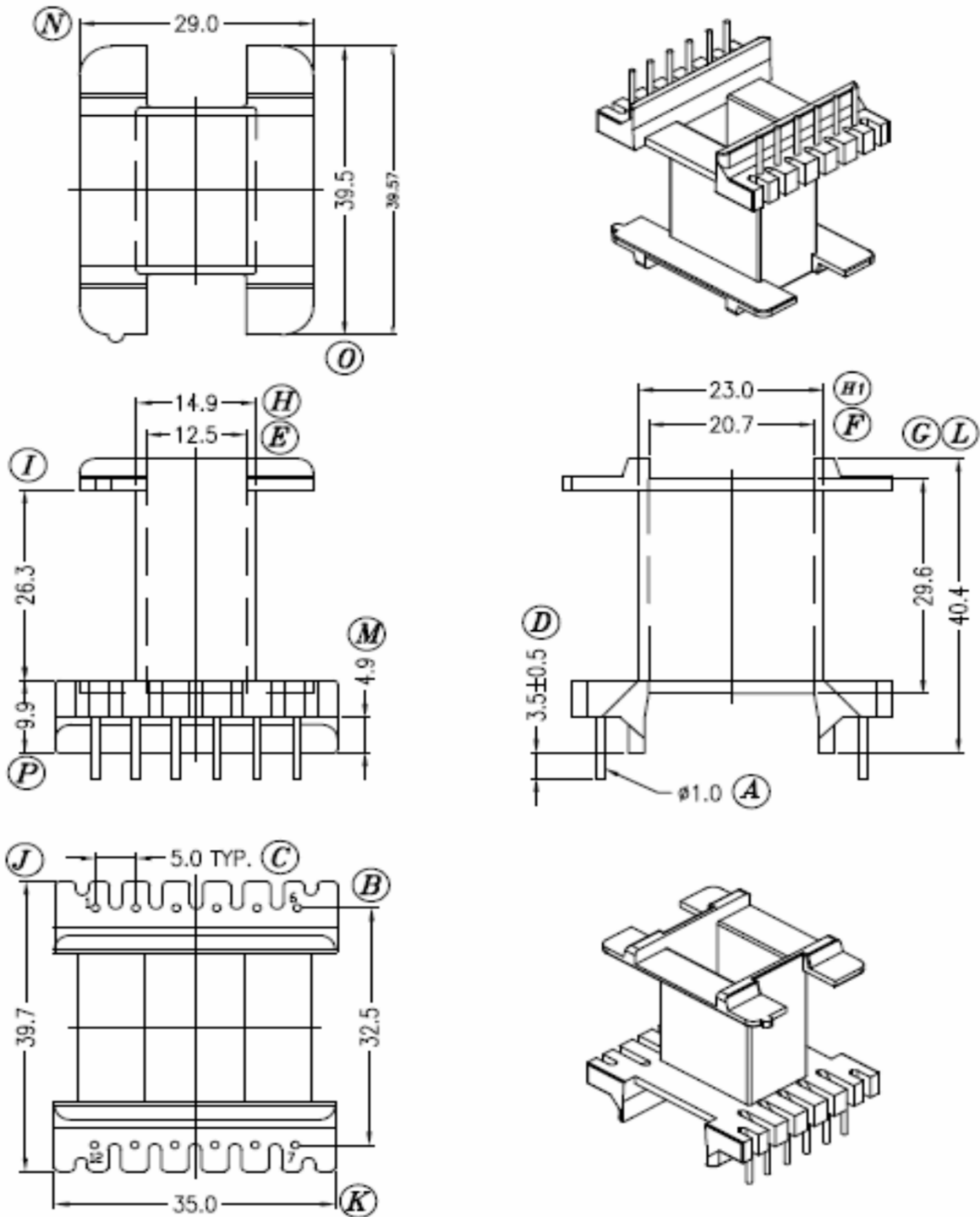


Dimensions in mm

Country of Origin: China	RoHS Certified: YES	UL Molder Certification: E163831
Bobbin Material: Sumitomo Plastics Phenolic PM9820		Drawing Number: BE 40-1112CPN-P-P5.0
UL File: E41429	UL Rec: 94-V0	P-4001-P5.0
Pin Material: Steel Wire (CP)		Pin Tension: 2.0Kgm min
Finish: Sn		Part Number: BE 40-1112CPN-P-P5.0
MH&W International Corp Phone 201-891-8800 Email: sales@mhw-intl.com		

BE 42/42/20-1112CP-P-P3.5

Revisions			
-	2016/04/05	Initial Issue	gvs

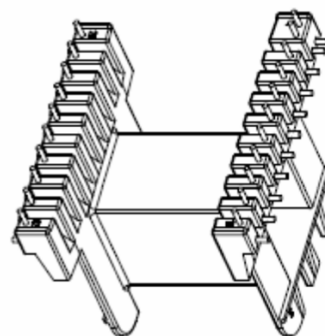
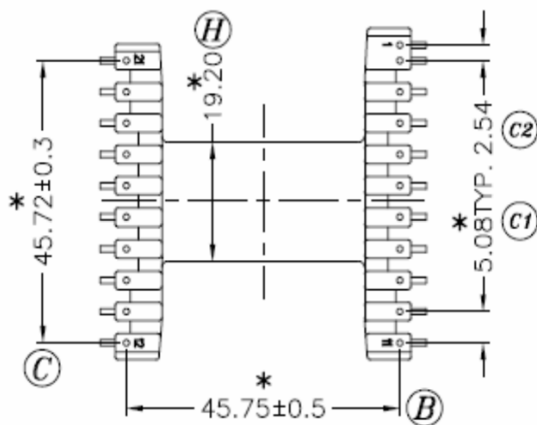
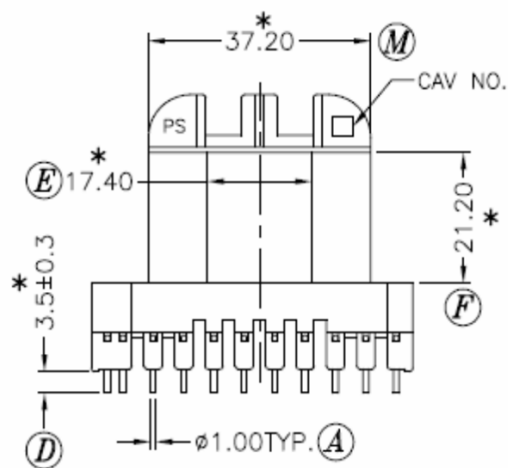
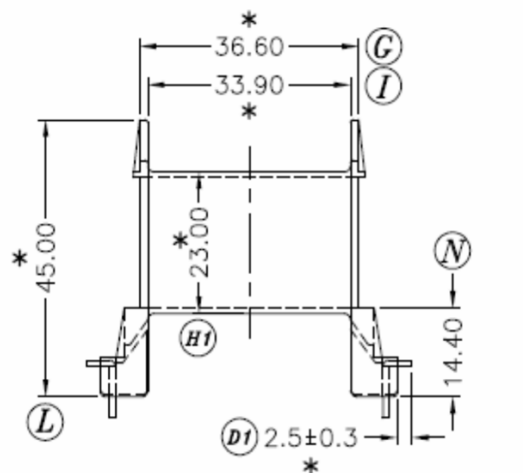
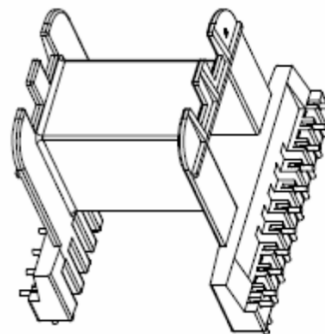
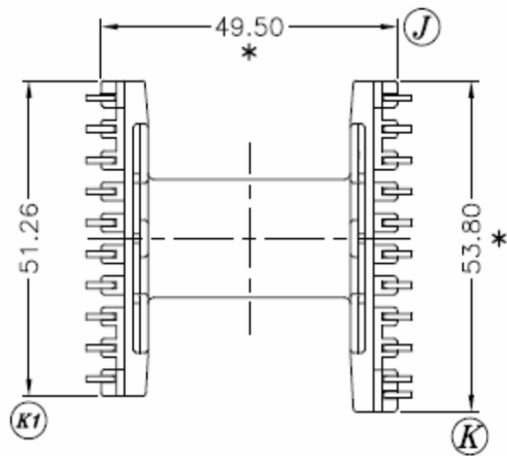


Dimensions in mm

Pin Pitch Tol: ± 0.3		Tolerances: $0 < L \leq 4$: ± 0.2 $4 < L \leq 16$: ± 0.3 $16 < L \leq 63$: ± 0.4	
Country of Origin: China	RoHS Certified: YES	Drawing Number: BE 42_42_20-1112CP-P-P3.5	
Bobbin Material: Phenolic Sumitomo PM9820		Pin Material: Steel Wire (CP)	
UL File: E41429	UL Rec: 94-V0	P-4211-P3.5	
MH&W International Corp		Pin Tension: 2.0Kgm min	Finish: Matte Sn
Phone 201-891-8800 Email: sales@mhw-intl.com		Part Number: BE 42/42/20-1112CP-P-P3.5	

BE 55/55/21-1121CPH-P-L3.5

Revisions		
-	2016/10/27	Initial Issue
		gvs

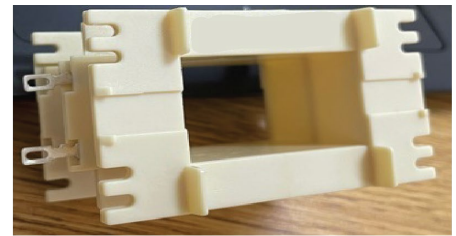
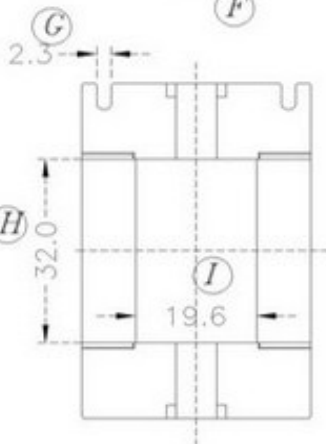
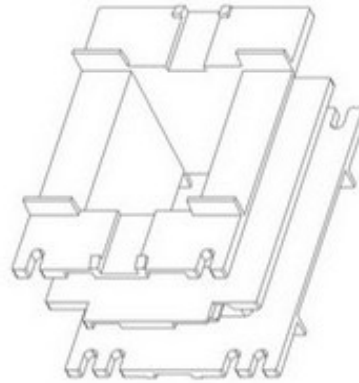
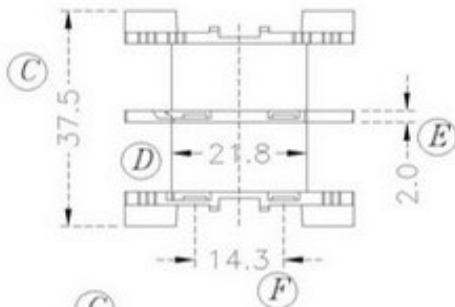
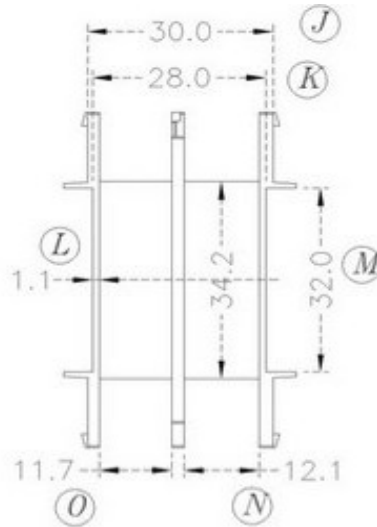
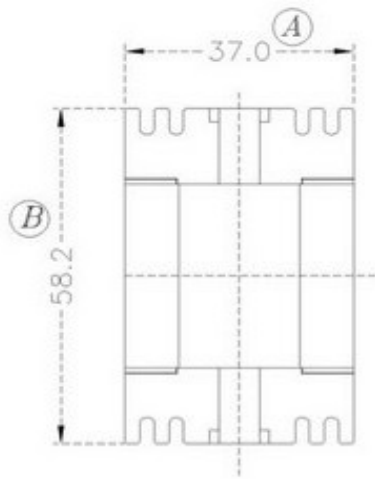


Dimensions in mm

Inventory #: P-5504-L3.5	Pin Pitch ± 0.3 mm	Tolerances: 0<L≤4 ±0.2; 4<L≤16 ±0.3; 16<L≤63 ±0.4	
Country of Origin: China	RoHS Certified: YES	Molder Certification: E163831	
Bobbin Material: Phenolic SUMITOMO PM-9820		Drawing Number: BE 55_55_21-1121CPH-P-L3.5	
UL File: E41429	UL Rec: 94-V0	Pin Material: Steel Wire (CP)	
MH&W International Corp Phone 201-891-8800 Email: sales@mhw-intl.com		Pin Tension: 1.0 Kgm min	Finish: Matte Sn
		Part Number: BE 55/55/21-1121CPH-P-L3.5	

BE 57/31-825-N

REV	DATE	DESCRIPTION	BY
-	2023/02/17	INITIAL ISSUE	dr



Tolerances: 0<L≤4 ±0.2; 4<L≤16 ±0.3; 16<L≤63 ±0.4

Pin Pitch: ± 0.2

Dimensions in mm

Country of Origin: China

RoHS Certified: YES

Title:

BOBBIN EI57 x 31 5 PIN

UL Molder Certification: E304843

Bobbin Material: FR530

Drawing Number: BE 57/31-825-N

UL File: E41938

UL Rec: 94-V0

N-0804

Pin Material: HY65

MH&W International Corp

Pin Tension: 2.0 Kg min.

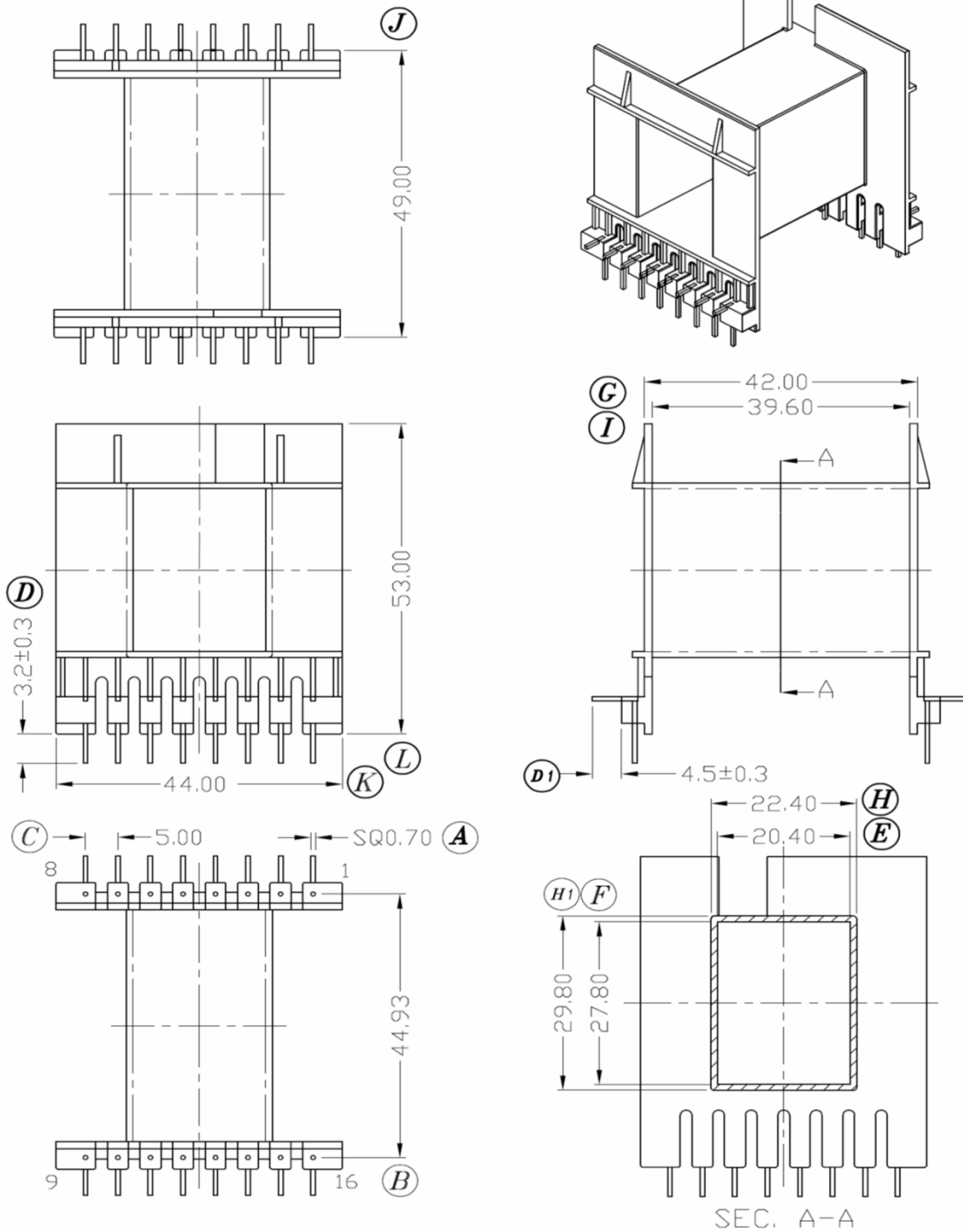
Finish:

Phone 201-891-8800 Email: sales@mhw-intl.com

Part Number: BE 57/31-825-N

BE 65-8116CP-P-P3.2

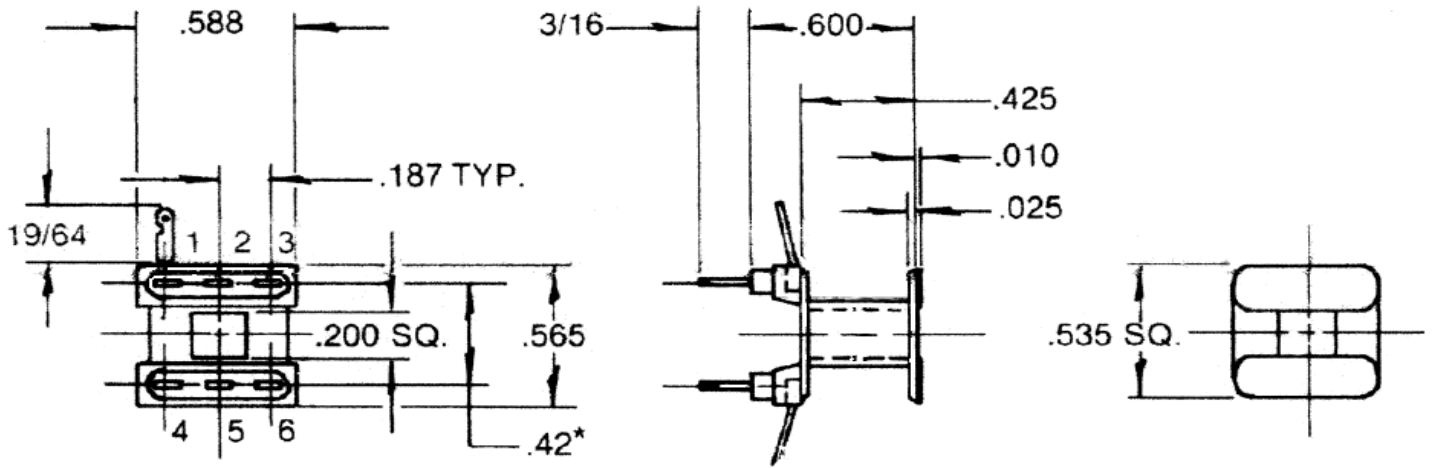
Revisions		
-	2015/12/01	Initial Issue
		gvs



Pin Pitch Tol: ± 0.3		Dimensions in mm	
Country of Origin: China	RoHS Certified: YES	Tolerances: 0 < L ≤ 4: ±0.2 4 < L ≤ 16: ± 0.3 16 < L ≤ 63: ±0.4	
Bobbin Material: PET Philips FR530 BLACK		Drawing Number: BE 65-8116CP-P-P3.2	
UL File: E41429	UL Rec: 94-V0	P-6501-P3.2	Pin Material: Steel Wire (cp)
MH&W International Corp		Pin Tension: 1.5Kgm min	Finish: MATTE Sn
Phone 201-891-8800 Email: sales@mhwh-intl.com		Part Number: BE 65-8116CP-P-P3.2	

BE 187-516CP-TJ-P4.8

REV	DATE	DESCRIPTION	BY
-	2023/03/14	INITIAL ISSUE	dr



*REFERENCE DIM. BASED ON LUG POCKET CENTERS

Tolerances: 0<L≤4 ±0.2; 4<L≤16 ±0.3; 16<L≤63 ±0.4		Pin Pitch: ± 0.2	Dimensions in mm
Country of Origin: USA	RoHS Certified: YES		Title: BOBBIN EI 187 x 3/16 6 PINS
UL Molder Certification: E181776			
Bobbin Material: Glass Filled Nylon		Drawing Number: BE 187-516CP-TJ-P4.8	
UL File: E59481	UL Rec: 94-V0	1001-1-GFG	Pin Material: Steel Wire (CP) Finish: Tin
MH&W International Corp		Pin Tension: n/a	
Phone 201-891-8800 Email: sales@mhw-intl.com		Part Number: BE 187-516CP-TJ-P4.8	

BE16-1110CP-W-P-3.5

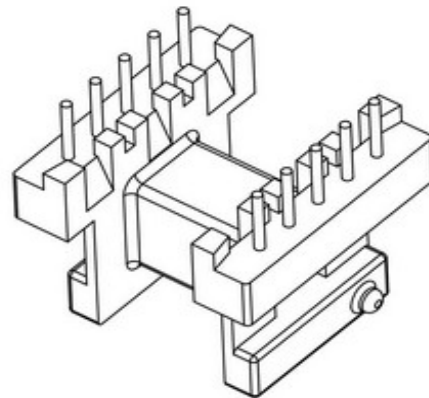
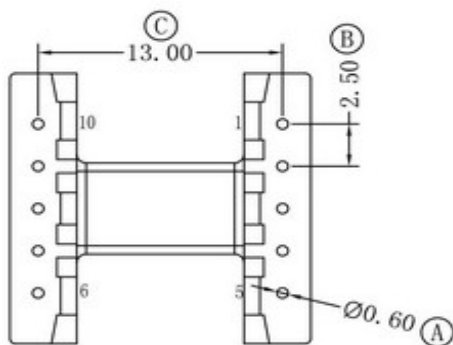
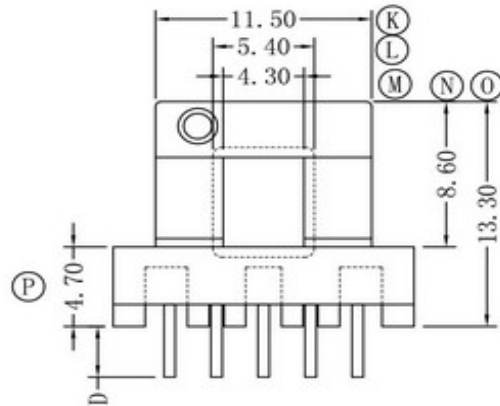
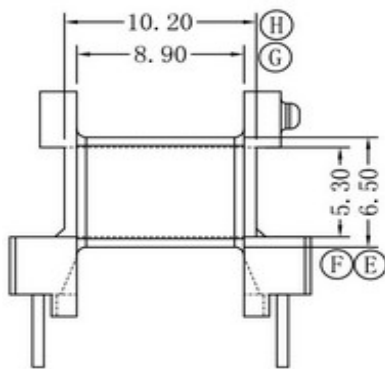
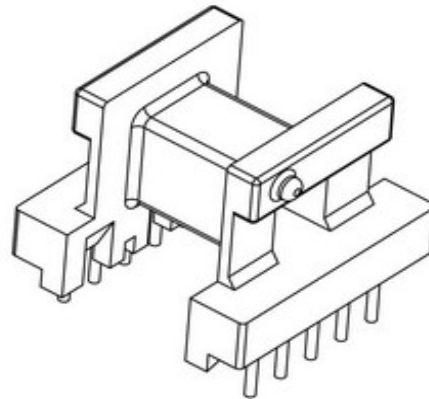
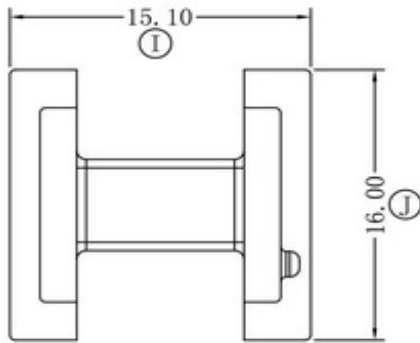
Revisions

-

2018/07/26

INITIAL ISSUE

dar

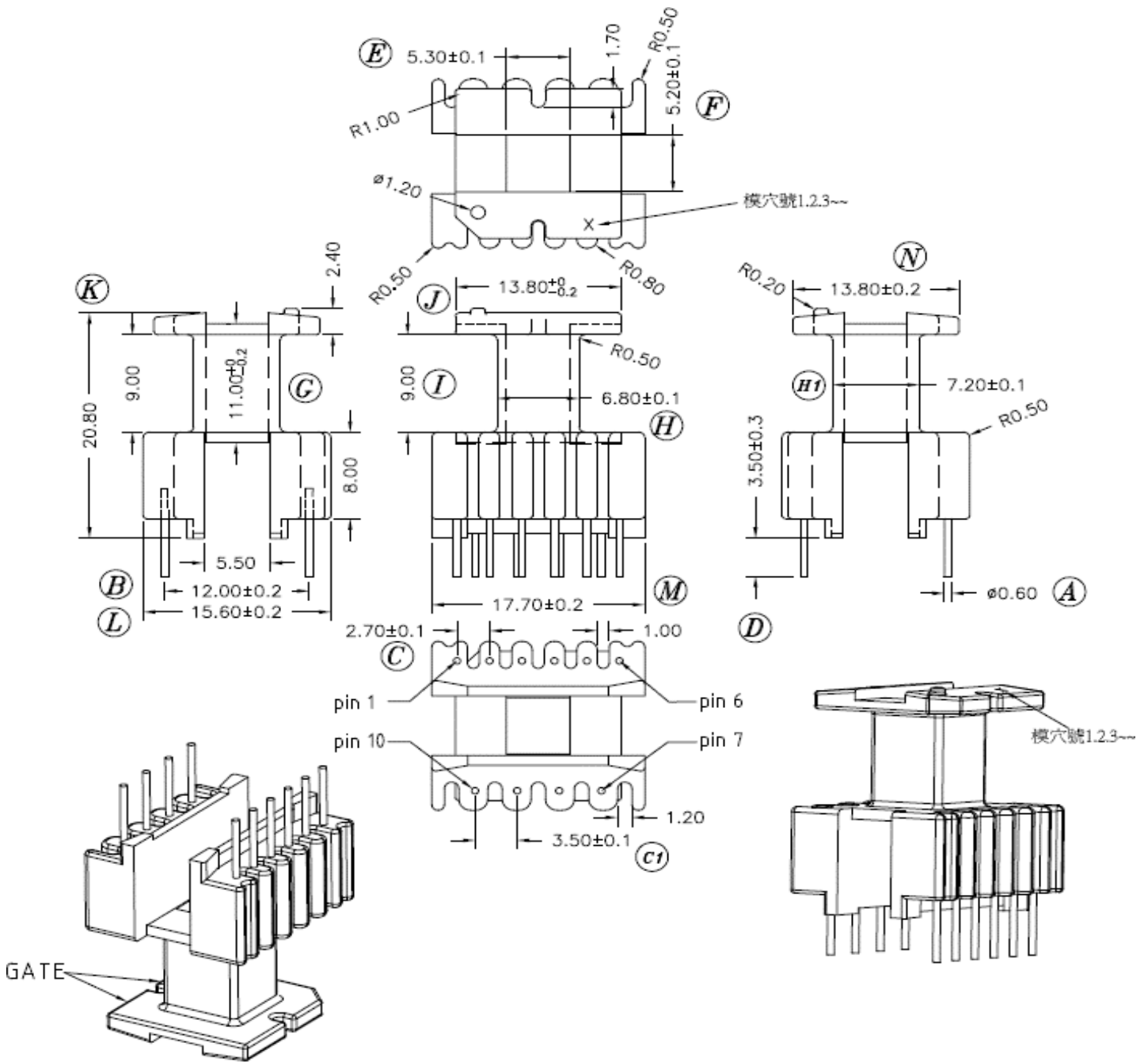


Dimensions in mm

Pin Pitch: ± 0.2			UL Molder Certification: E315110
Country of Origin: China	RoHS Certified: YES		Tolerances: $0 < L \leq 4 \pm 0.2$; $4 < L \leq 16 \pm 0.3$; $16 < L \leq 63 \pm 0.4$
Bobbin Material: Phenolic Sumitomo PM9630			Drawing Number: BE16-1110CP-W-P-3_5
UL File: E41429	UL Rec: 94-V0	MX-1649	Pin Material: Steel Wire (CP)
MH&W International Corp Phone 201-891-8800 Email: sales@mhw-intl.com			Pin Tension: 1.2Kgm min
			Finish: matte Sn
			Part Number: BE16-1110CP-W-P-3.5

BE19/16-1110CP-P-P3.5-6x4

Revisions			
-	2018/04/03	INITIAL ISSUE	dar

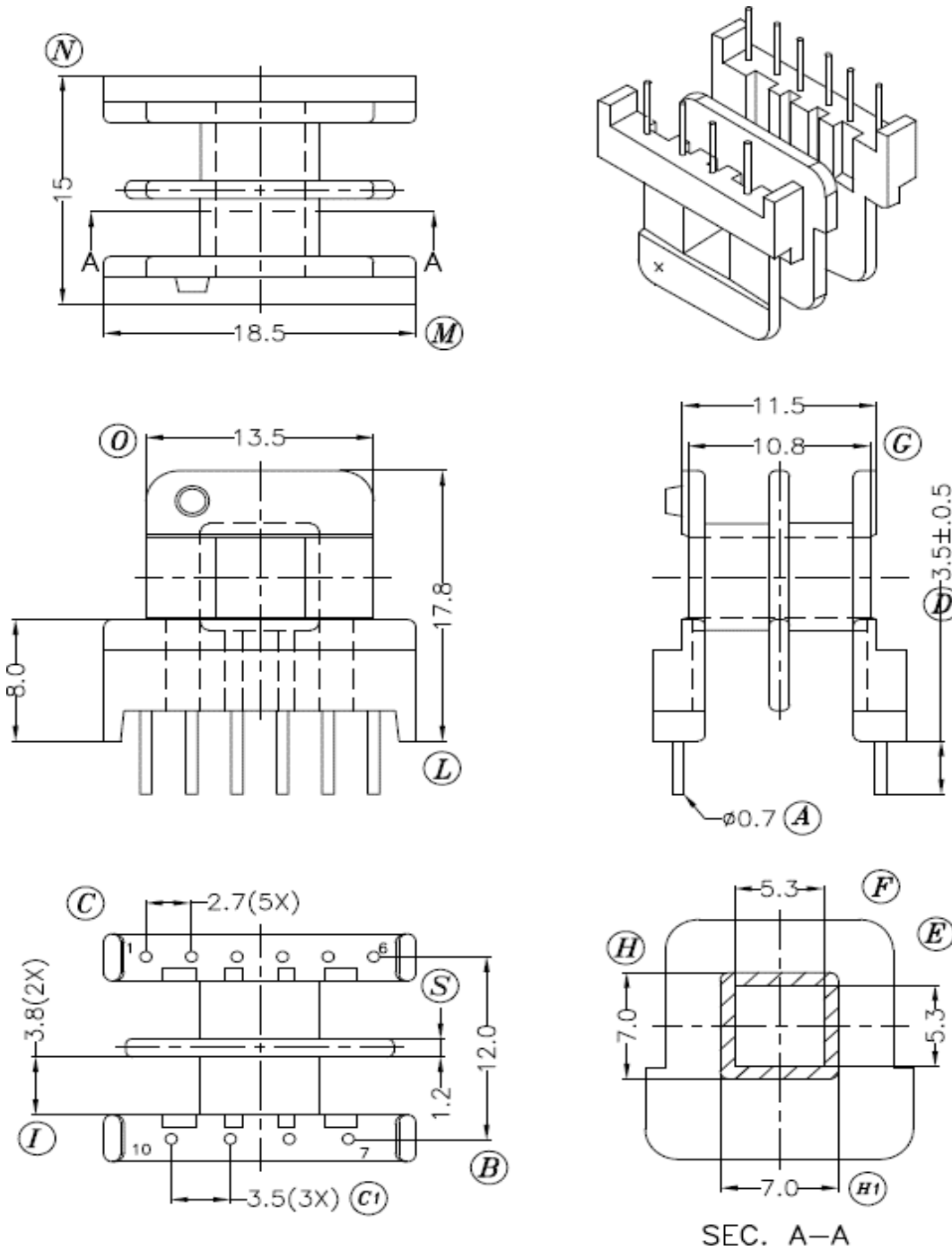


Dimensions in mm

Pin Pitch: ± 0.2		UL Molder Certification: E163831	
Country of Origin: China		RoHS Certified: YES	
Bobbin Material: Chang Chun Plastics T375J		Tolerances: $0 < L \leq 4 \pm 0.2$; $4 < L \leq 16 \pm 0.3$; $16 < L \leq 63 \pm 0.4$	
UL File: E59481		Drawing Number: BE19_16-1110CP-P-P3.5-6x4	
UL Rec: 94-V0		Pin Material: Steel Wire (CP)	
P-1962		Pin Tension: 1.0Kg min	
MH&W International Corp		Finish: matte Sn	
Phone 201-891-8800 Email: sales@mhw-intl.com		Part Number: BE19/16-1110CP-P-P3.5-6x4	

BE19/16-1210CPH-P-P3.5-6x4

Revisions			
-	2018/04/03	INITIAL ISSUE	dar

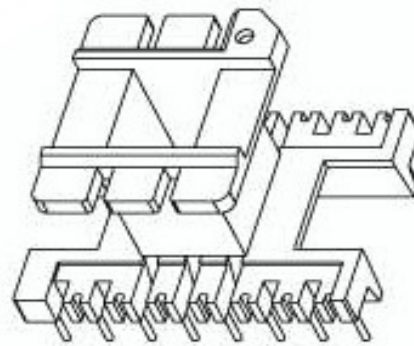
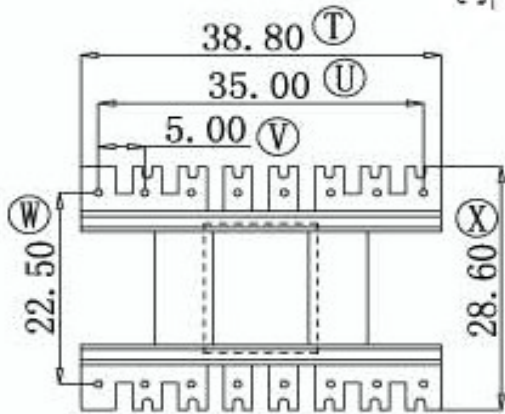
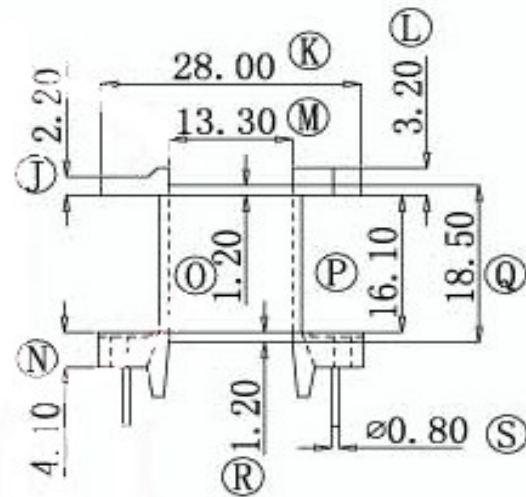
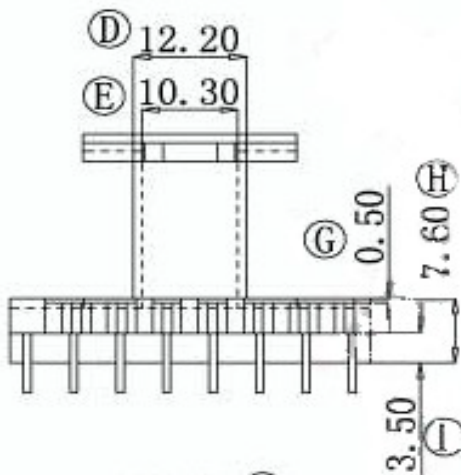
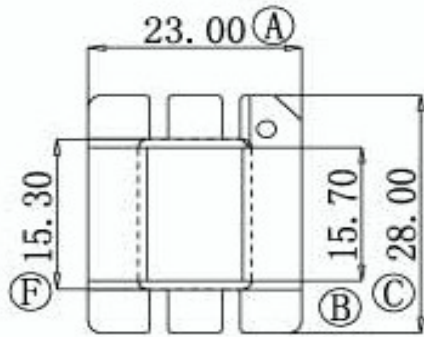


Dimensions in mm

Pin Pitch: ± 0.2		UL Molder Certification: E163831	
Country of Origin: China		RoHS Certified: YES	
Bobbin Material: Chang Chun Plastics T355J		Tolerances: $0 < L \leq 4 \pm 0.2$; $4 < L \leq 16 \pm 0.3$; $16 < L \leq 63 \pm 0.4$	
UL File: E59481		Drawing Number: BE19_16-1210CPH-P-P3.5-6x4	
UL Rec: 94-V0		Pin Material: Steel Wire (CP)	
P-1908		Pin Tension: 1.5Kgm min	
MH&W International Corp		Finish: matte Sn	
Phone 201-891-8800 Email: sales@mhw-intl.com		Part Number: BE19/16-1210CPH-P-P3.5-6x4	

BE33-1116CP-Y-P3.5

REVISIONS	DATE	DESCRIPTION	BY
-	2019/11/05	INITIAL ISSUE	dr
01	2021/07/02	CHANGE MATERIAL TO T375HF	dr



Dimensions in mm

Pin Pitch: ± 0.2

UL Molder Certification: E33864L

Country of Origin: China

RoHS Certified: YES

Tolerances: $0 < L \leq 4 \pm 0.2$; $4 < L \leq 16 \pm 0.3$; $16 < L \leq 63 \pm 0.4$

Bobbin Material: Chang Chun T375HF

Drawing Number: BE33-1116CP-Y-P3.5

UL File: E59481.

UL Rec: 94-V0

YC-EI-3303

Pin Material: Steel Wire (CP)

MH&W International Corp

Pin Tension: 1.5Kgm min

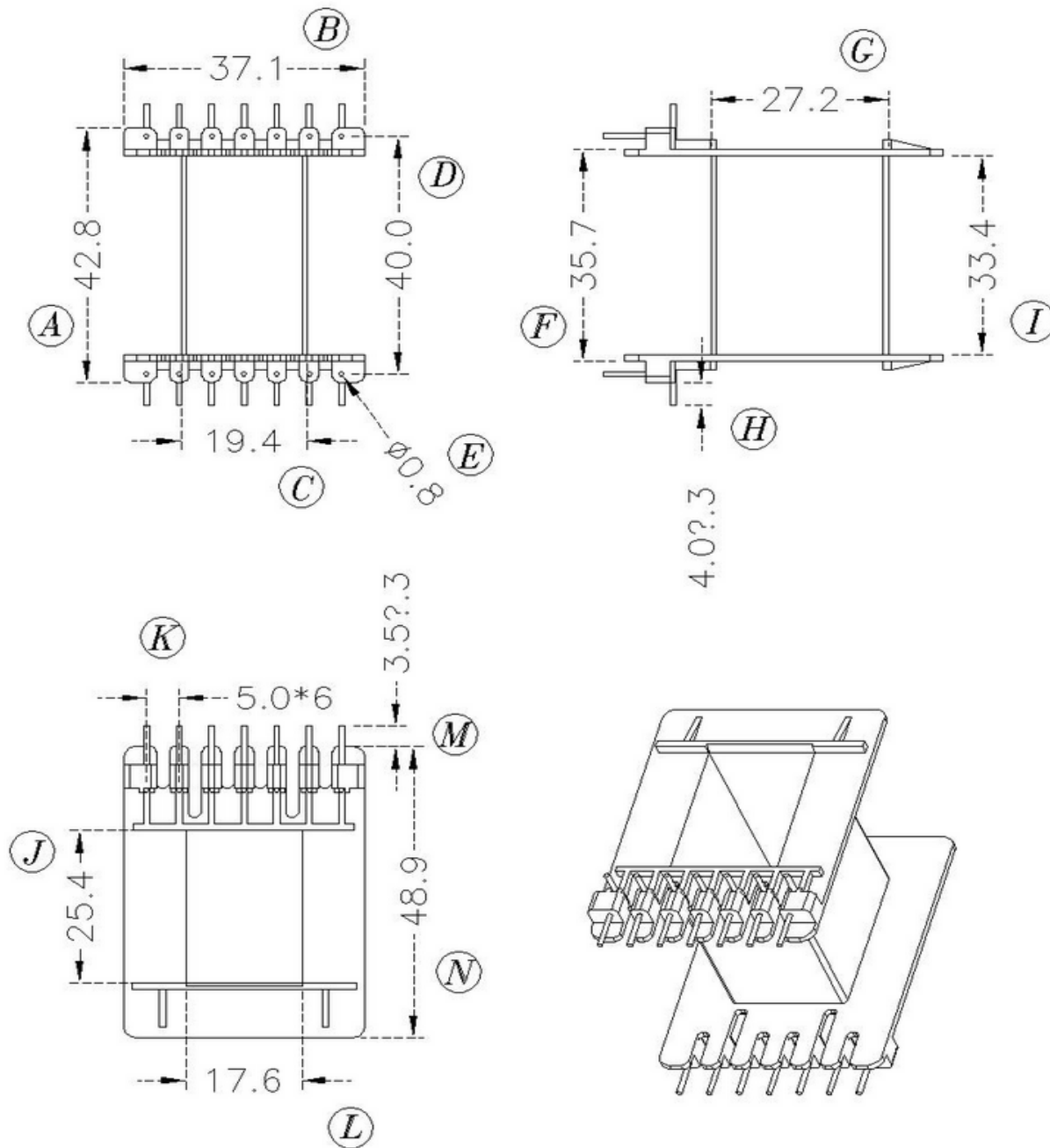
Finish: matte Sn

Phone 201-891-8800 Email: sales@mhw-intl.com

Part Number: BE33-1116CP-Y-P3.5

BE55/25-8114H-N-P3.5

Revisions			
-	2020/10/13	INITIAL ISSUE	dr

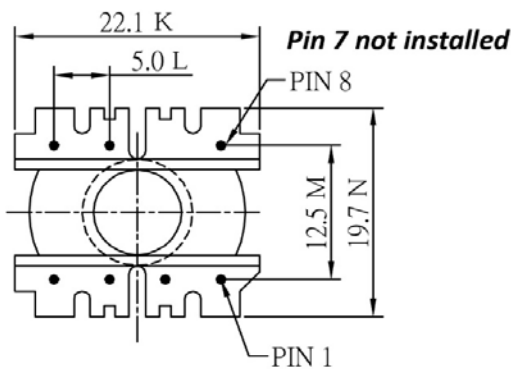
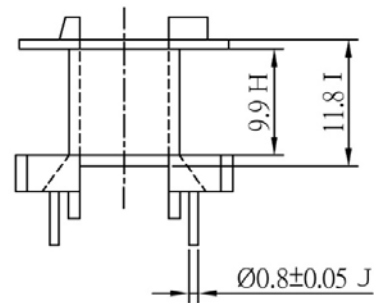
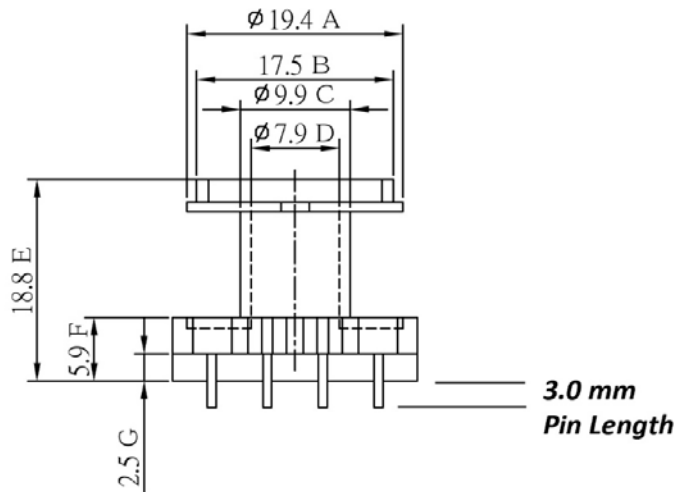
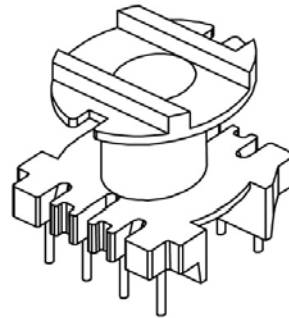
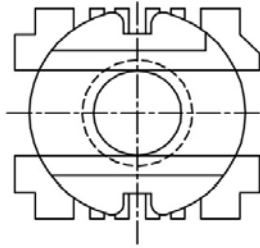


Dimensions in mm

Pin Pitch: ± 0.2		UL Molder Certification: E304843	
Country of Origin: China	RoHS Certified: YES	Tolerances: 0<L≤4 ±0.2; 4<L≤16 ±0.3; 16<L≤63 ±0.4	
Bobbin Material: FR50		Drawing Number: BE55_25-8114H-N-P3.5	
UL File: E41938	UL Rec: 94-V0	N-0417 Rev 0	Pin Material: Steel Wire (CP)
MH&W International Corp		Pin Tension: 2.0Kgm min	Finish: matte Sn
Phone 201-891-8800 Email: sales@mhw-intl.com		Part Number: BE55/25-8114H-N-P3.5	

BEER25.5-117CP-S-P3.0

Revisions			

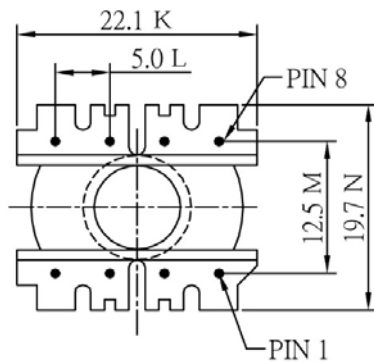
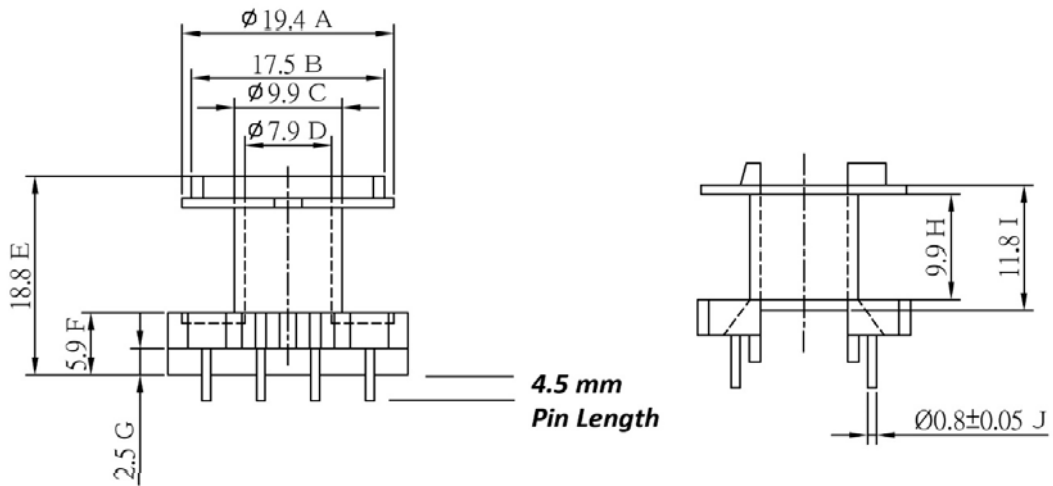
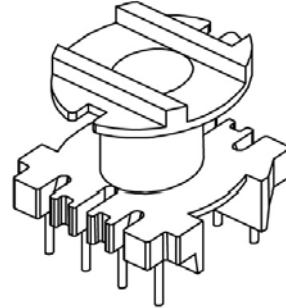
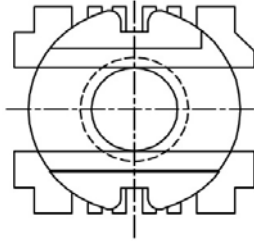


Dimensions in mm

Country of Origin: China	RoHS Certified: YES	UL Molder Certification: E149570
Bobbin Material: Phenolic Chang Chung T375HF		Drawing Number: BEER25.5-117CP-S-P3.0
UL File: E59481	UL Rec: 94-V0	TF-2532-P7-P3
Pin Material: Steel Wire (CP)		Pin Tension: 1.5Kgm min
Finish: matte Sn		Part Number: BEER25.5-117CP-S-P3.0
MH&W International Corp Phone 201-891-8800 Email: sales@mhw-intl.com		

BEER25.5-118CP-S-P4.5

Revisions			

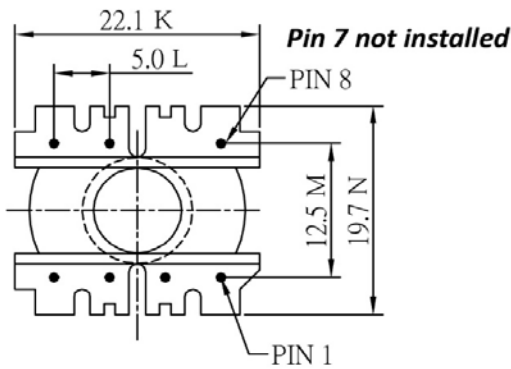
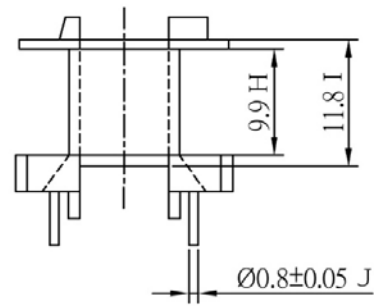
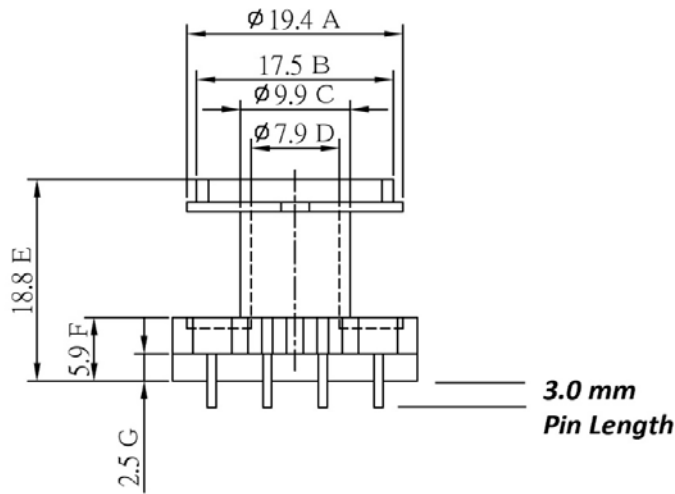
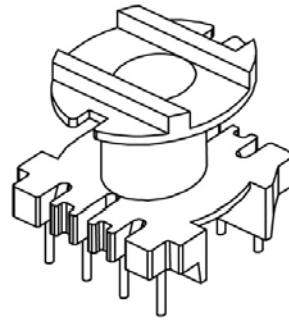
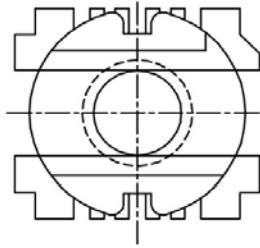


Dimensions in mm

Country of Origin: China	RoHS Certified: YES	UL Molder Certification: E149570
Bobbin Material: Phenolic Hexion Bakelite PF2736		Drawing Number: BEER25.5-118CP-S-P4.5
UL File: E41429	UL Rec: 94-V0	TF-2532-P4.5
Pin Material: Steel Wire (CP)		
MH&W International Corp		Pin Tension: 1.5Kgm min
Phone 201-891-8800 Email: sales@mhw-intl.com		Finish: matte Sn
Part Number: BEER25.5-118CP-S-P4.5		

BEER25.5-117CP-S-P3.0

Revisions			

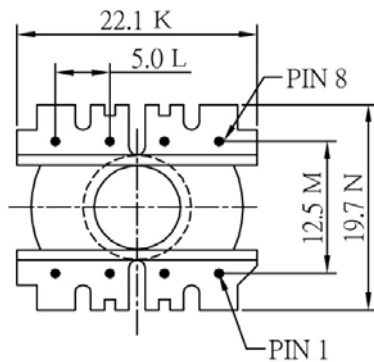
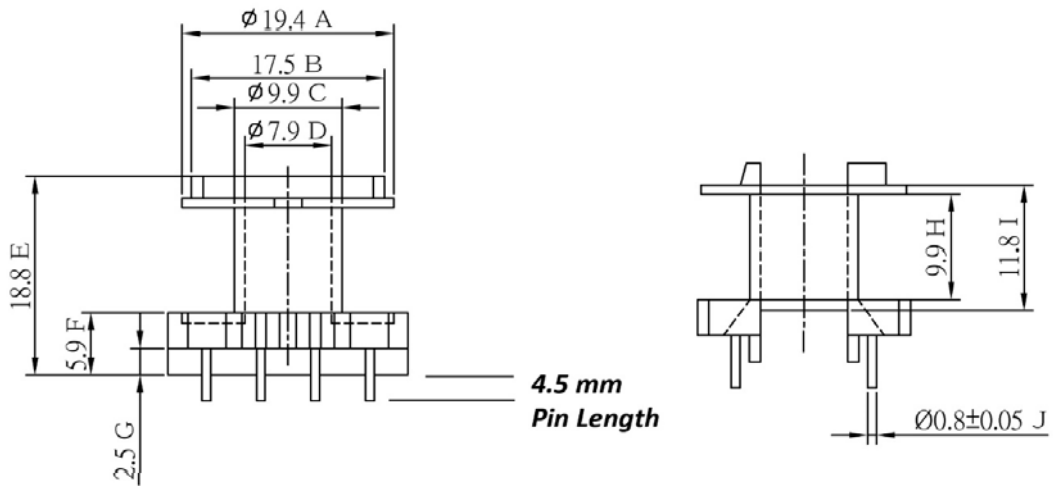
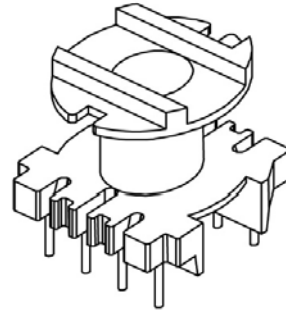
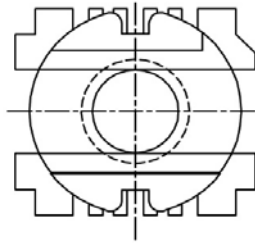


Dimensions in mm

Country of Origin: China	RoHS Certified: YES	UL Molder Certification: E149570
Bobbin Material: Phenolic Chang Chung T375HF		Drawing Number: BEER25.5-117CP-S-P3.0
UL File: E59481	UL Rec: 94-V0	TF-2532-P7-P3
Pin Material: Steel Wire (CP)		Pin Tension: 1.5Kgm min
Finish: matte Sn		Part Number: BEER25.5-117CP-S-P3.0
MH&W International Corp Phone 201-891-8800 Email: sales@mhw-intl.com		

BEER25.5-118CP-S-P4.5

Revisions			

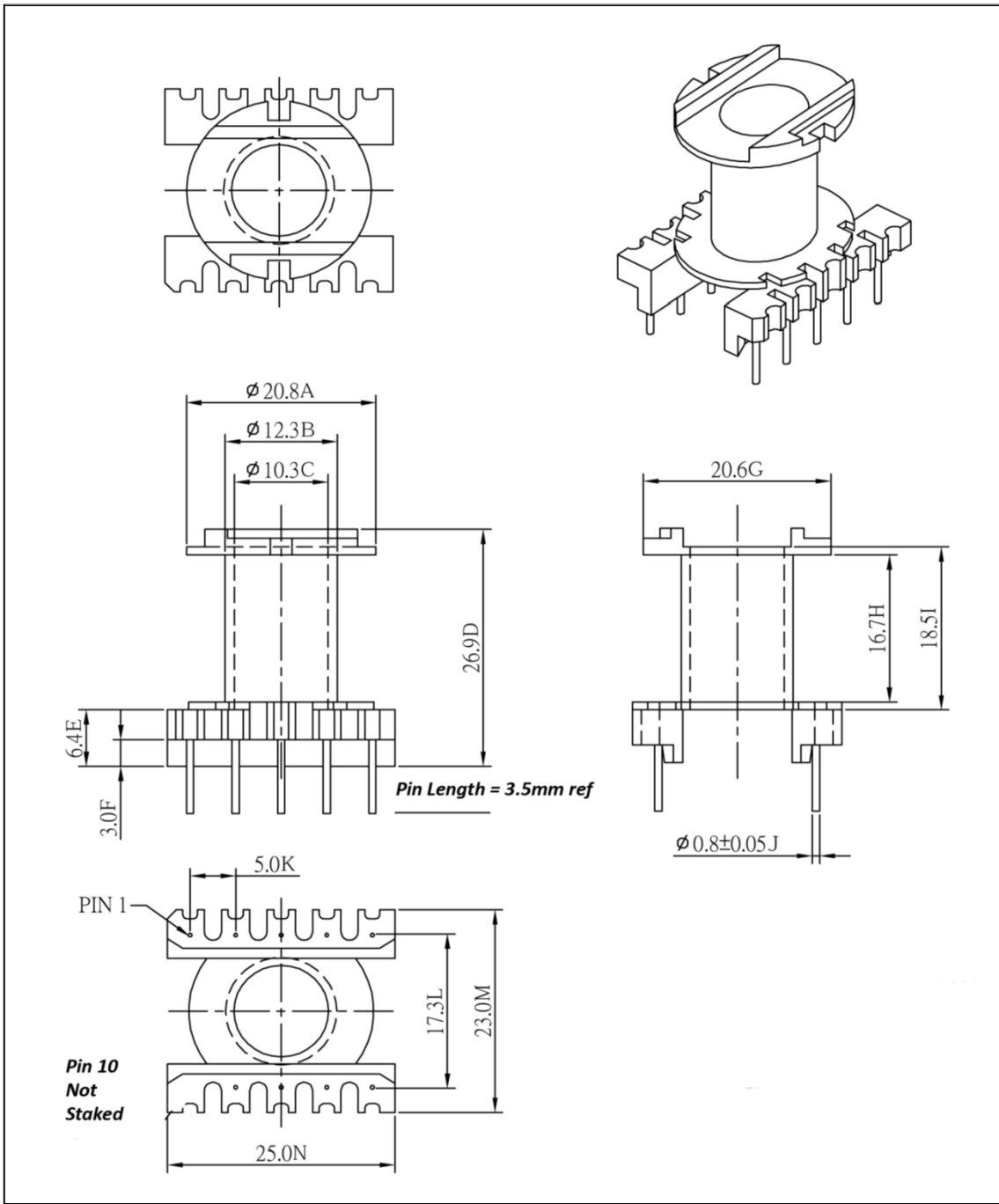


Dimensions in mm

Country of Origin: China	RoHS Certified: YES	UL Molder Certification: E149570
Bobbin Material: Phenolic Hexion Bakelite PF2736		Drawing Number: BEER25.5-118CP-S-P4.5
UL File: E41429	UL Rec: 94-V0	TF-2532-P4.5
Pin Material: Steel Wire (CP)		
MH&W International Corp		Pin Tension: 1.5Kgm min
Phone 201-891-8800 Email: sales@mhw-intl.com		Finish: matte Sn
Part Number: BEER25.5-118CP-S-P4.5		

BEER28-119CP-S-P3.5

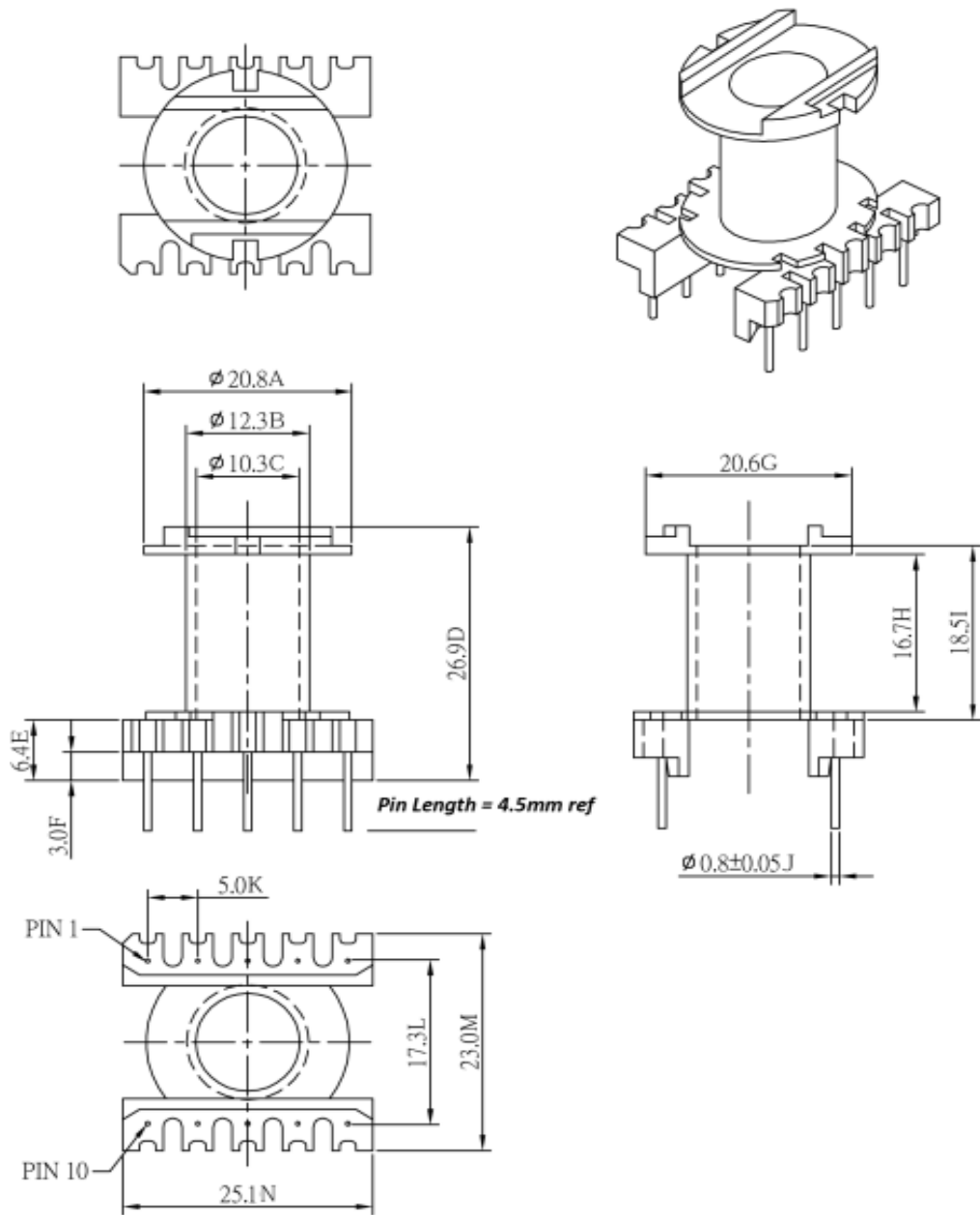
Revisions			



Inventory Number: TF-2805-9-P3.5		Dimensions in mm	
Country of Origin: China	RoHS Certified: YES	UL Molder Certification: E149570	
Bobbin Material: Chang Chung Plastics T375HF		Drawing Number: BEER28-119CP-S-P3.5	
UL File: E59481	UL Rec: 94-V0	Pin Material: Steel Wire (CP)	
MH&W International Corp Phone 201-891-8800 Email: sales@mhw-intl.com		Pin Tension: 1.5Kgm min	Finish: Sn
		Part Number: BEER28-119CP-S-P3.5	

BEER28-1110CP-S-P4.5

Revisions			
-	2014/07/17	INITIAL ISSUE	gvs
1	2019/08/06	Change "N" dimension from 25.0 to 25.1	dr



Tolerances: .X+/-0.2, .XX+/-0.15, PIN PITCH +/-0.1

Dimensions in mm

Country of Origin: China RoHS Certified: YES

UL Molder Certification: E149570

Bobbin Material: Chang Chung Plastics T375HF

Drawing Number: BEER28-1110CP-S-P4.5

UL File: E59481 UL Rec: 94-V0 TF-2805

Pin Material: Steel Wire (CP)

MH&W International Corp

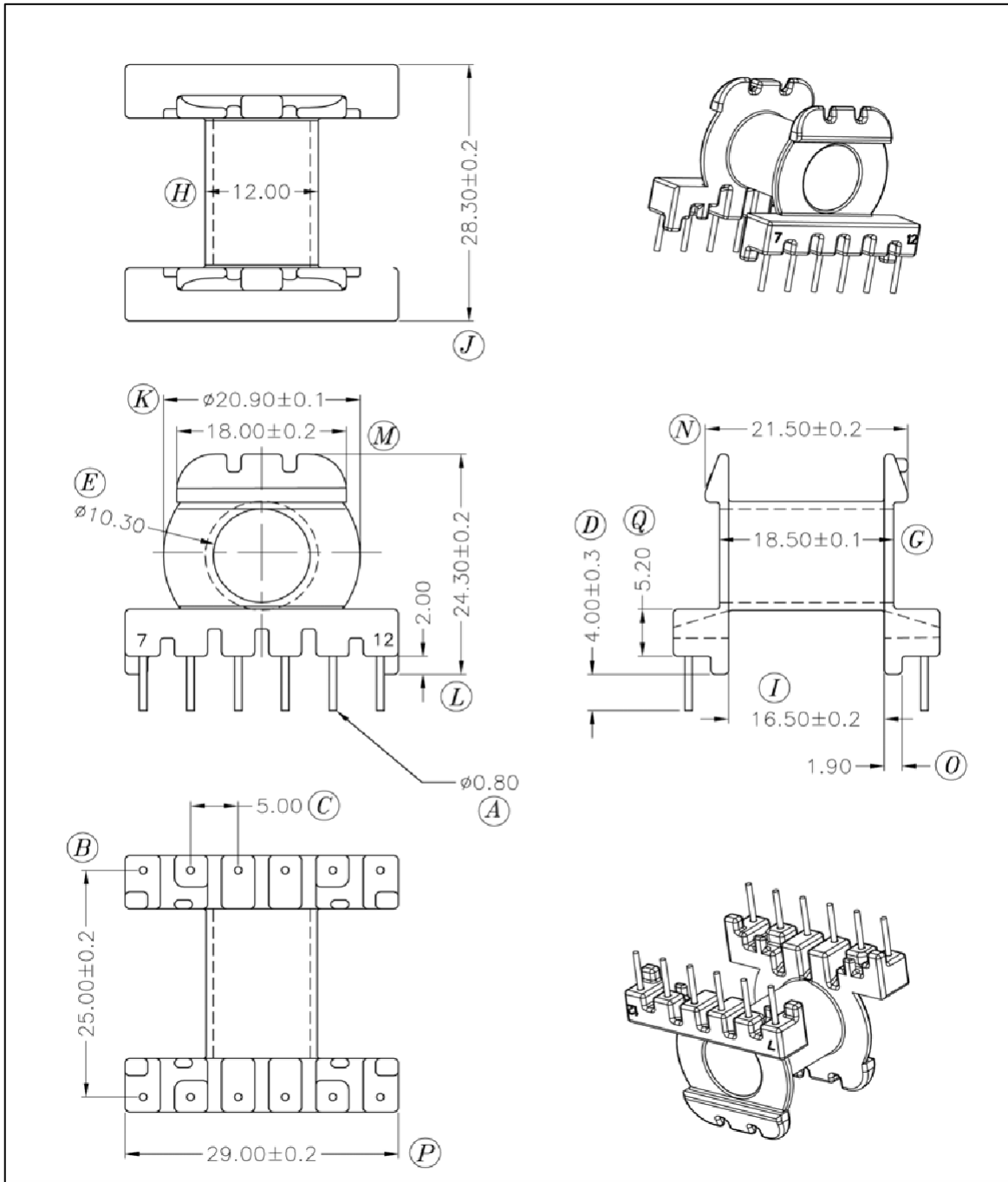
Pin Tension: 1.5Kgm min Finish: Sn

Phone 201-891-8800 Email: sales@mhw-intl.com

Part Number: BEER28-1110CP-S-P4.5

BEER28-1112CPH-P

Revisions	
1	Added Country of origin and RoHS

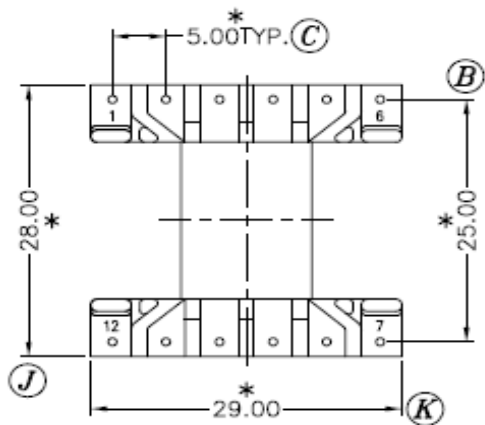
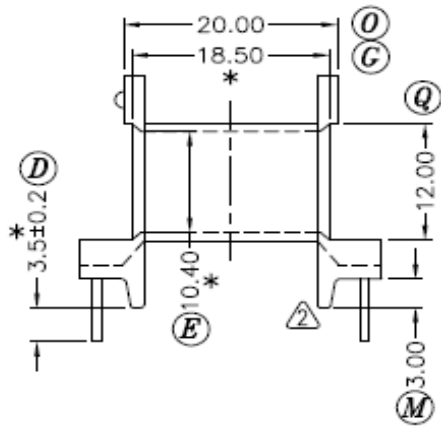
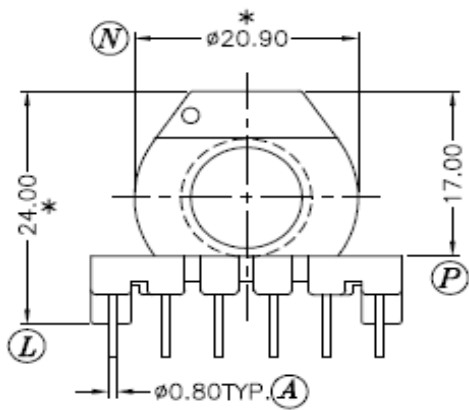
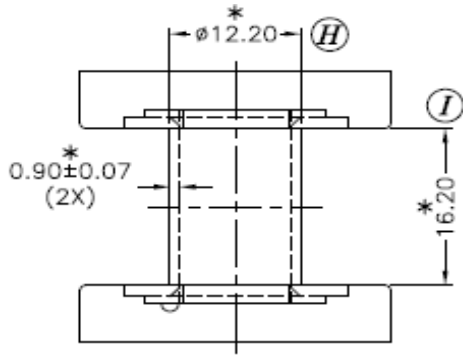


Dimensions in mm

Country of origin: China		RoHS Certified: YES	
Bobbin Material: Sumitomo PM9820		Drawing Number: BEER28-1112CPH-P-1	
UL File: E41429	UL Rec: 94-V0	P-2842	Pin Material: Steel Wire (CP)
MH&W International Corp		Phone	Pin Tension: 1.5Kgm min
201-891-8800 Email: sales@mhw-intl.com			Finish: e3 (JEDEC)
Part Number: BEER28-1112CPH-P			

BEER28-1112CPH-P-P3.5

Revisions			
-	2018/08/27	Initial Issue	dar



Ferrite Core: EER28; ER28/28/11

Pin Pitch tolerance: ± 0.3

Dimensions in mm

Inventory Number: P-2816-2-P3.5

Tolerances: $0 < L \leq 4 \pm 0.2$; $4 < L \leq 16 \pm 0.3$; $16 < L \leq 63 \pm 0.4$

Country of Origin: China

RoHS Certified: YES

UL Molder Certification: E163831

Bobbin Material: Phenolic PM9820

Drawing Number: BEER28-1112CPH-P-P3.5

UL File: E41429

UL Rec: 94-V0

Pin Material: Steel Wire (CP)

MH&W International Corp

Pin Tension: 2.0 Kgm min

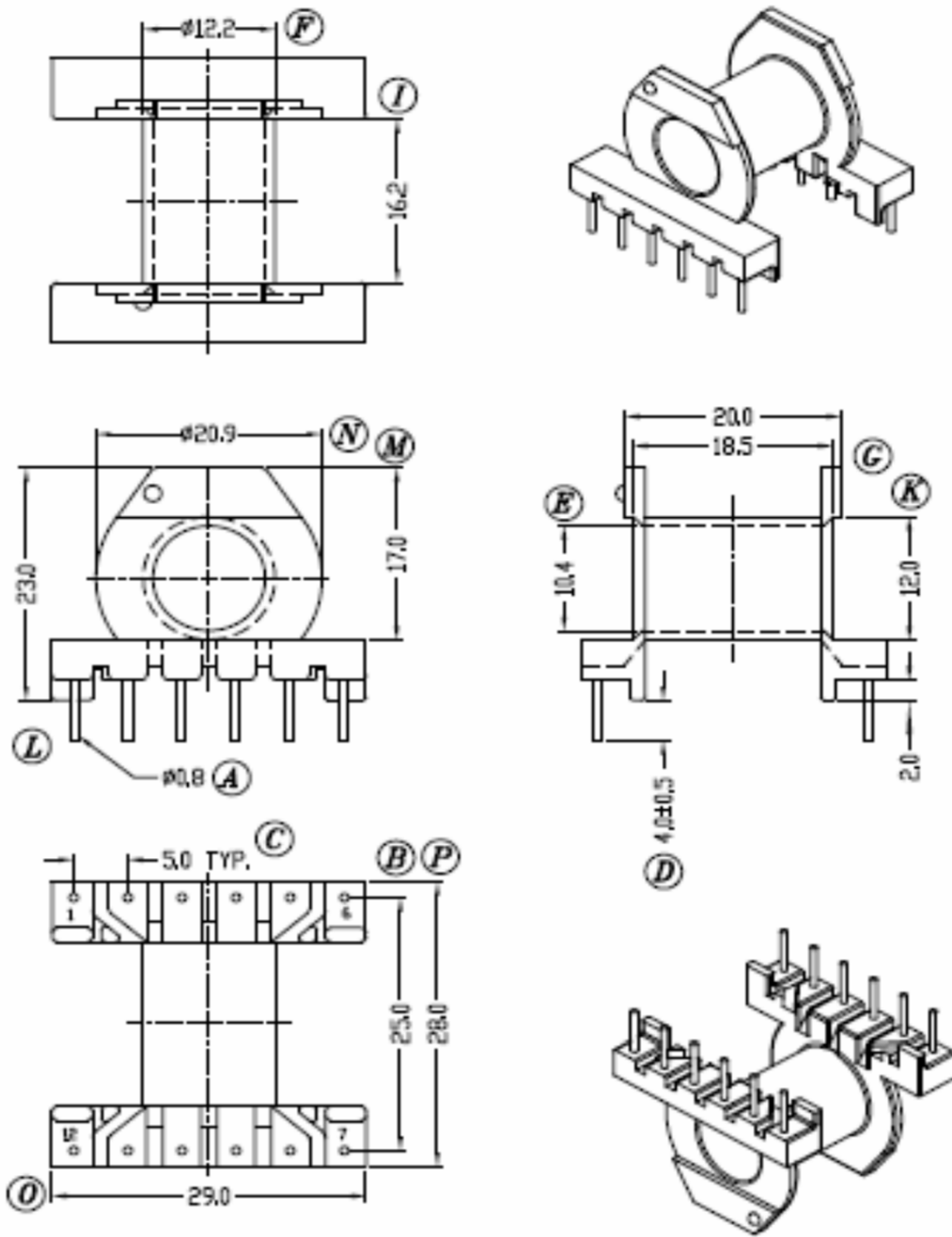
Finish: MATTE Sn

Phone 201-891-8800 Email: sales@mhw-intl.com

Part Number: BEER28-1112CPH-P-P3.5

BEER28-1112CPH-P-P4.0

Revisions			
-	2017/10/11	Initial Issue	gvs



Ferrite Core: EER28; ER28/28/11

Pin Pitch tolerance: ± 0.3

Dimensions in mm

Inventory Number: P-2816-P4.0

Tolerances: $0 < L \leq 4 \pm 0.2$; $4 < L \leq 16 \pm 0.3$; $16 < L \leq 63 \pm 0.4$

Country of Origin: China

RoHS Certified: YES

UL Molder Certification: E163831

Bobbin Material: Phenolic Chang Chun T375J

Drawing Number: BEER28-1112CPH-P-P4.0

UL File: E59481

UL Rec: 94-V0

Pin Material: Steel Wire (CP)

MH&W International Corp

Pin Tension: 2.0 Kgm min

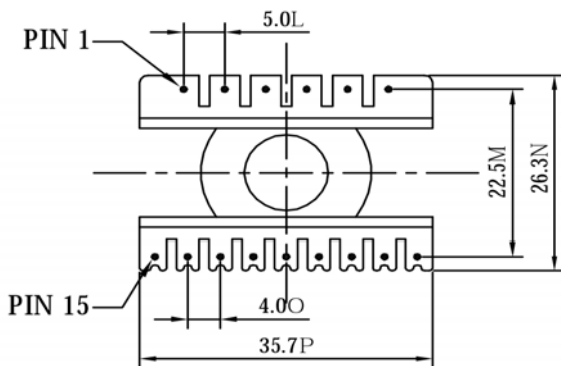
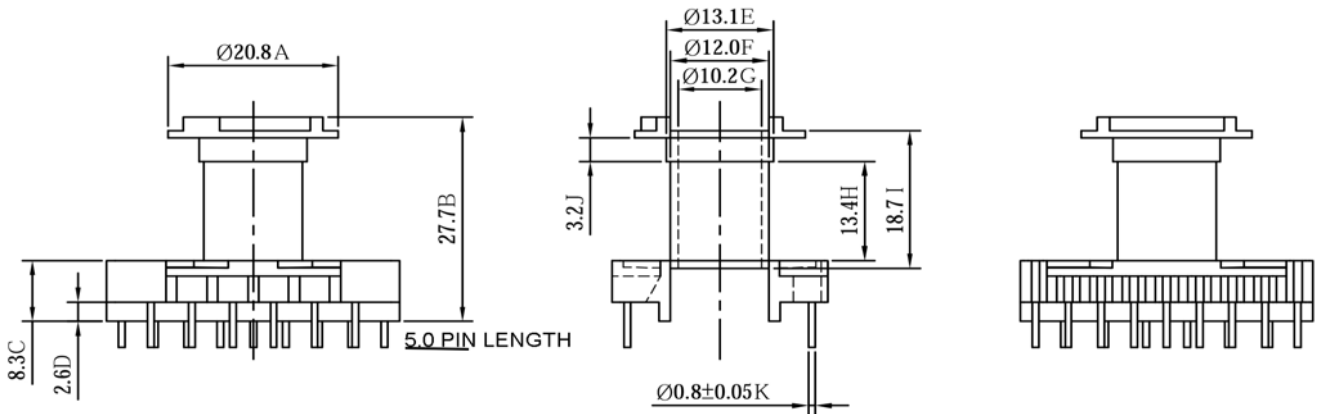
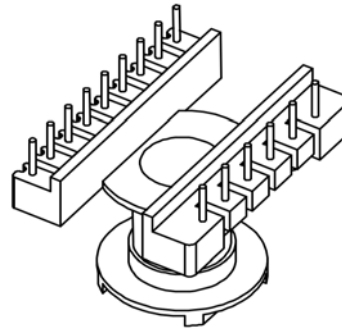
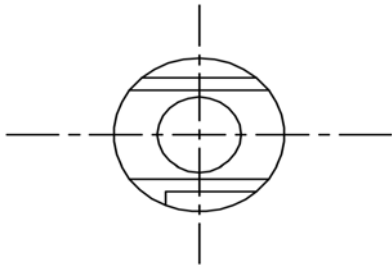
Finish: MATTE Sn

Phone 201-891-8800 Email: sales@mhw-intl.com

Part Number: BEER28-1112CPH-P-P4.0

BEER28-1115CP-S-P5.0 SPL

Revisions			
-	2016/08/30	Initial Issue	gvs

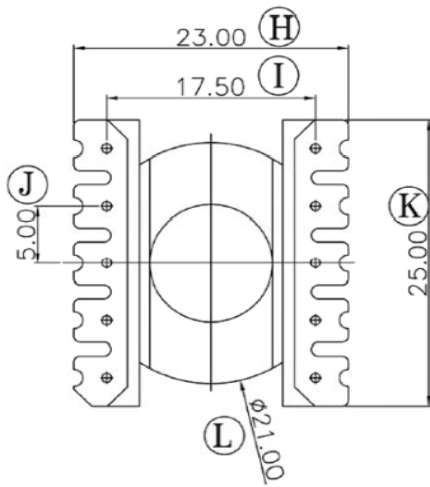
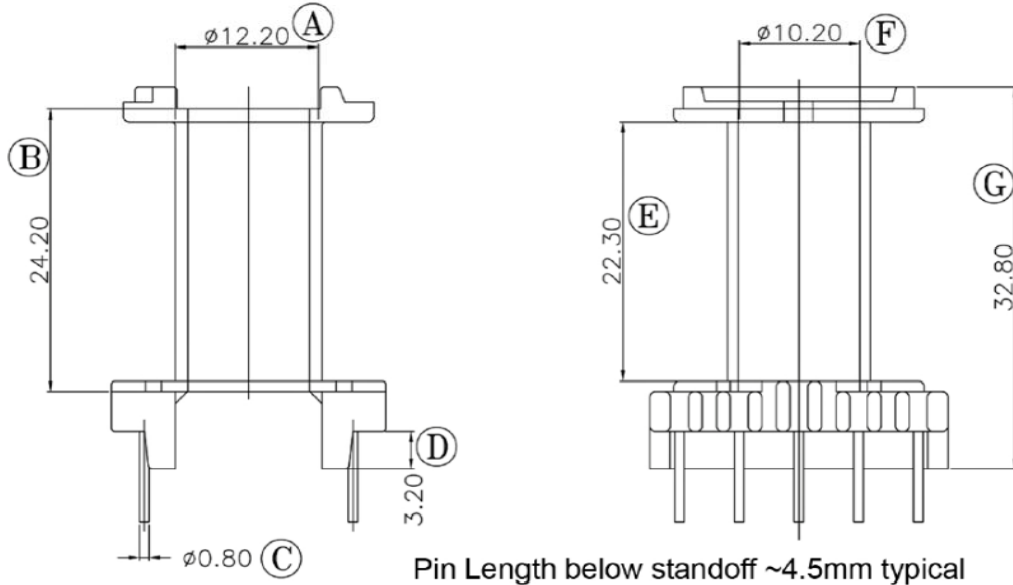


FOR USE WITH TDK FERRITE CORE EER28

Dimensions in mm

Tolerances: $0 < L \leq 4: \pm 0.2$ $4 < L \leq 16: \pm 0.3$ $16 < L \leq 63: \pm 0.4$		Pin Pitch Tol: ± 0.2 ; Pin Length tolerance: ± 0.5	
RoHS Certified: YES		UL Molder Certification: E149570	
Bobbin Material: PHENOLIC SUMITOMO PM9820		Drawing Number: BEER28-1115CP-S-P5.0 SPL	
UL File: E41429	UL Rec: 94-V0	TF-2828-5.0	Pin Material: Steel Wire (CP)
MH&W International Corp Phone 201-891-8800 Email: sales@mhw-intl.com		Pin Tension: 1.5Kgm min	Finish: matte Sn
		Part Number: BEER28-1115CP-S-P5.0 SPL	

BEER28L-1110CP-PM-P4.5

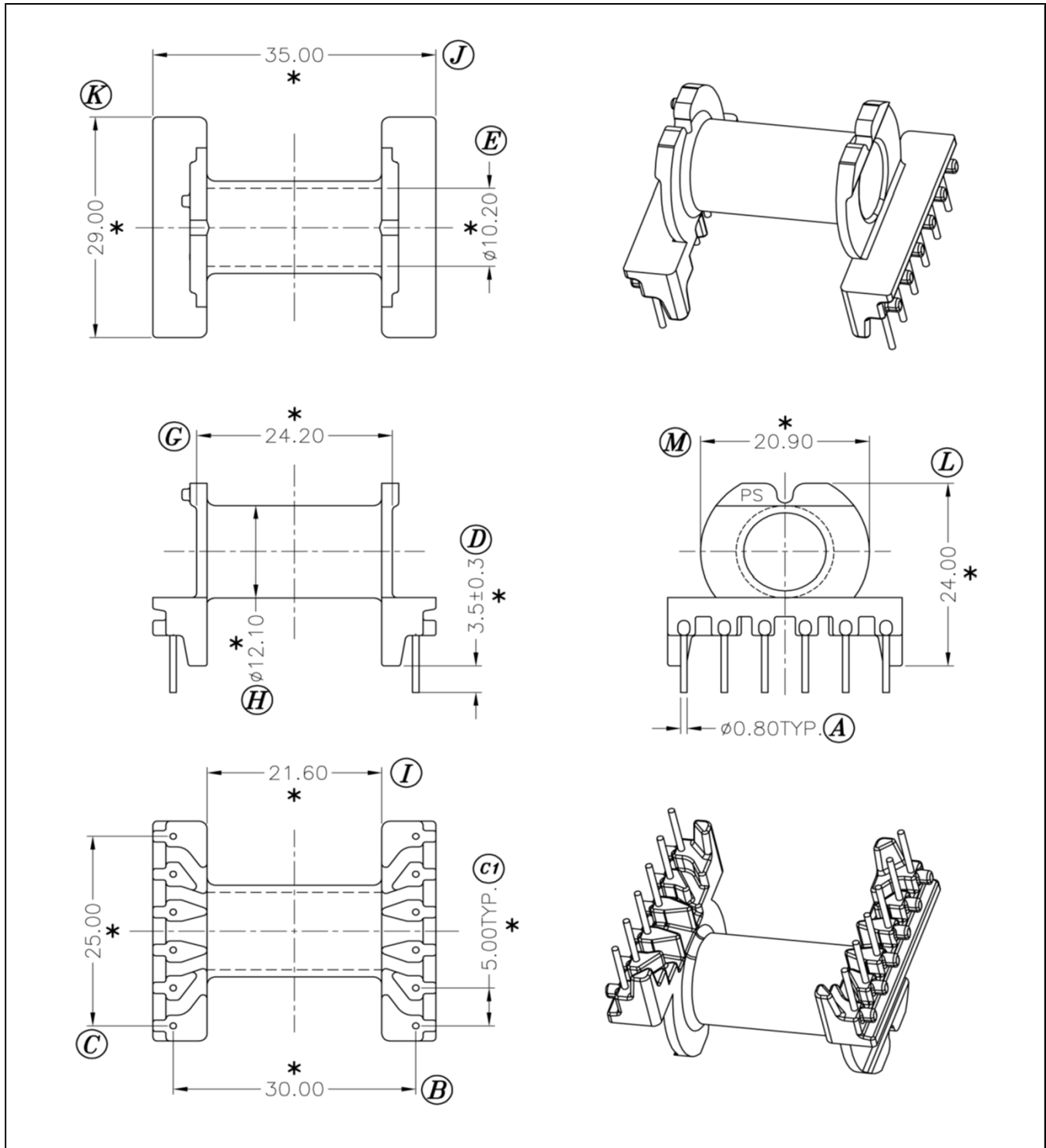


Dimensions in mm

Country of Origin: China	RoHS Certified: YES	Ref: ER-28 (5+5P) P-28-CP 4.5mm Pin
Bobbin Material: Chang Chun Plastics T375HF		MHW Drawing Number: BEER28L-1110CP-PM-P4.5
UL File: E59481	UL Rec: 94-V0	ER28/5-5P
Pin Material: Steel Wire (CP)		Pin Tension: 1.5Kgm - 2.5Kgm
Finish: Tin		MHW Part Number: BEER28L-1110CP-PM-P4.5
MH&W International Corp Phone 201-891-8800 Email: sales@mhw-intl.com		

BEER28L-1112CPH-P-P3.5

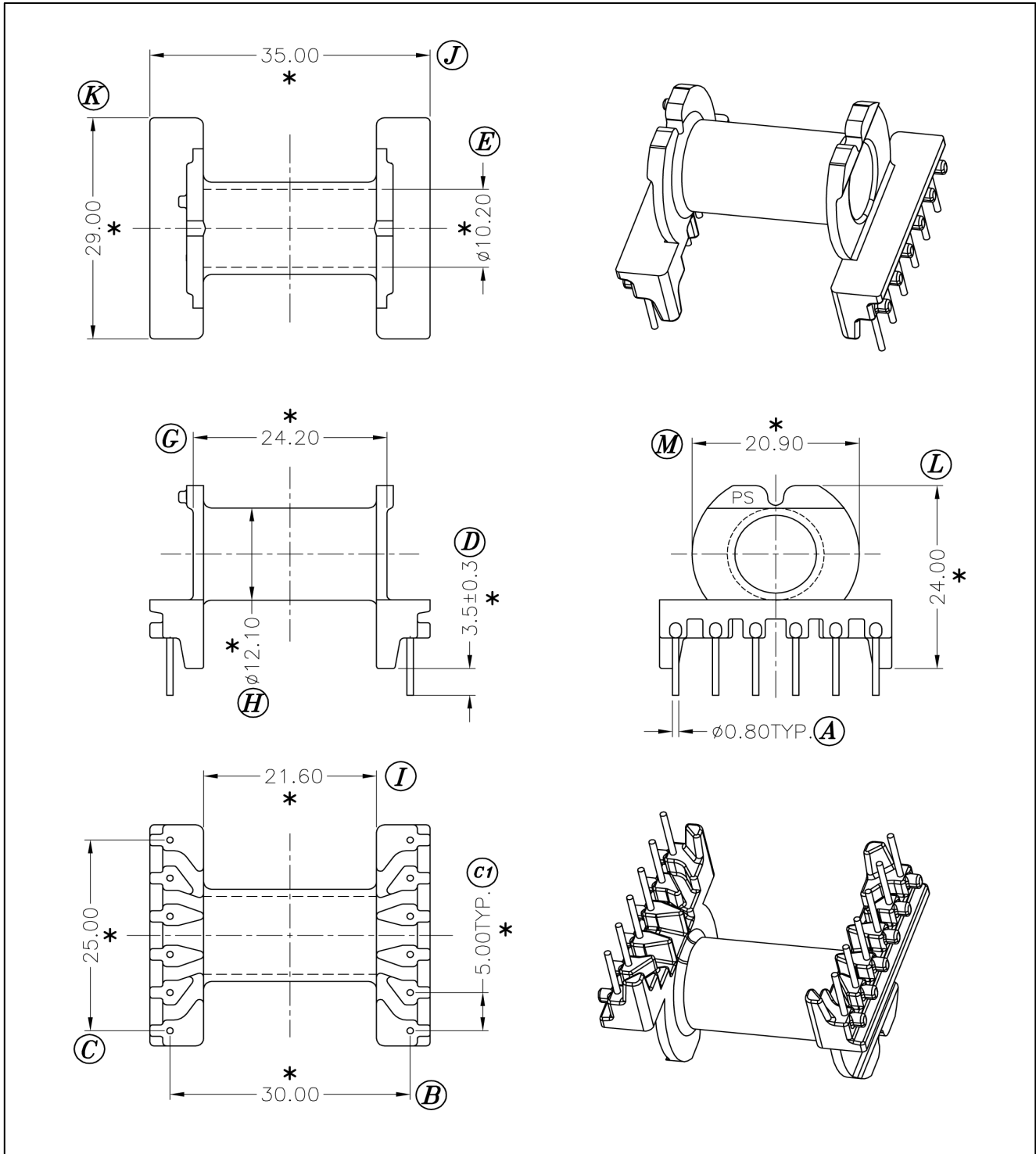
Revisions			
R1	2013/04/01	Added Country of Origin and RoHS	gvs
R2	2015/07/01	Updated Part Number/tolerances	gvs



Tolerances: $0 < L \leq 4 \pm 0.2$; $4 < L \leq 16 \pm 0.3$; $16 < L \leq 63 \pm 0.4$		Pin Pitch: ± 0.2	Dimensions in mm
Country of Origin: China	RoHS Certified: YES	UL Molder Certification: E163831	
Bobbin Material: Sumitomo PM9820		Drawing Number: BEER28L-1112CPH-P-P3.5-R2	
UL File: E41429	UL Rec: 94-V0	P-2850	Pin Material: Steel Wire (CP)
MH&W International Corp		Pin Tension: 1.5Kgm min	Finish: matte Sn
Phone 201-891-8800 Email: sales@mhw-intl.com		Part Number: BEER28L-1112CPH-P-P3.5	

BEER28L-1112CPH-P

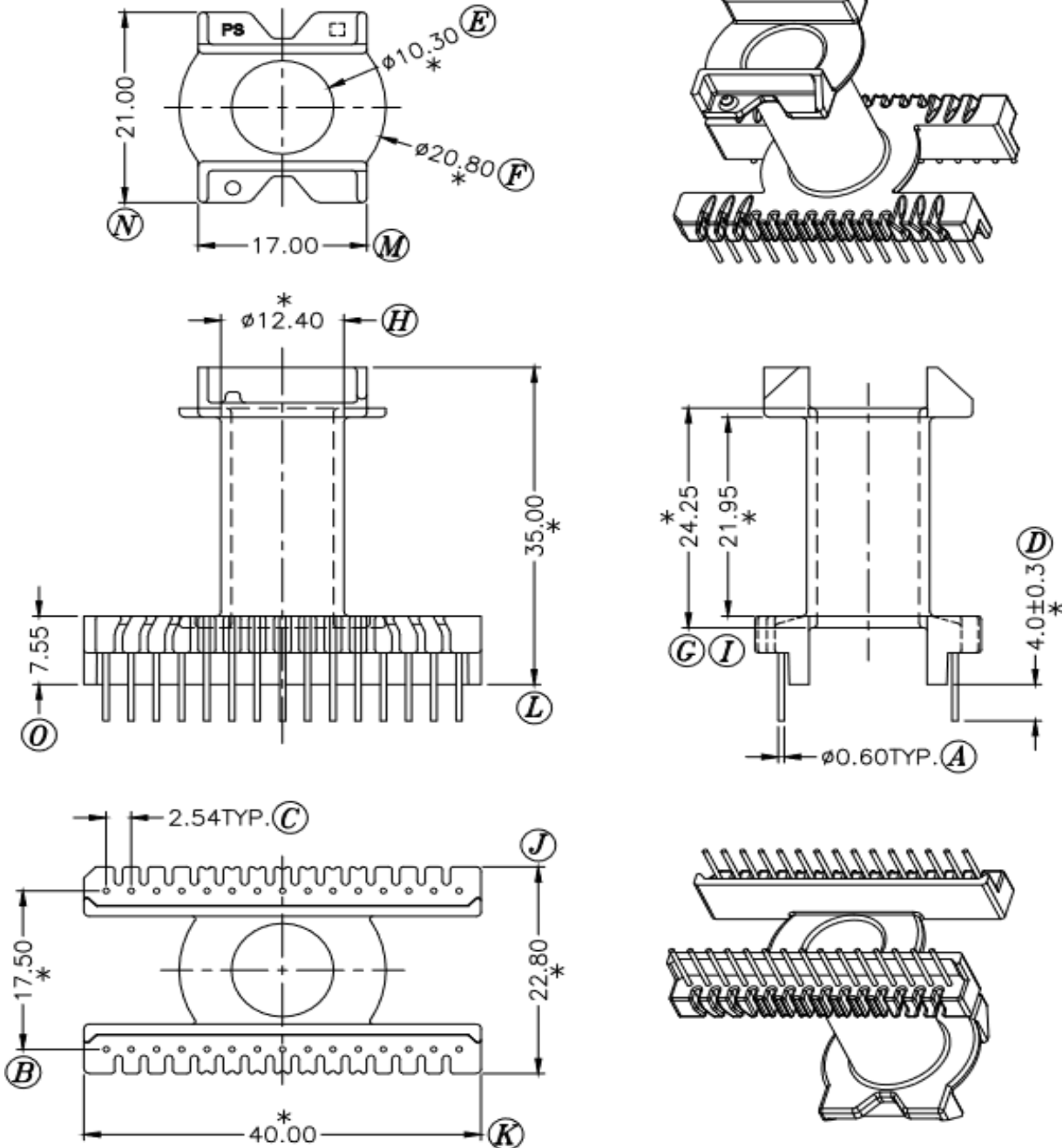
Revisions			
R1	2013/04/01	Added Country of Origin and RoHS	gvs
R2	2015/07/01	Updated Part Number/tolerances	gvs



Tolerances: 0<L≤4 ±0.2; 4<L≤16 ±0.3; 16<L≤63 ±0.4		Pin Pitch: ± 0.3	Dimensions in mm
Country of Origin: China	RoHS Certified: YES	UL Molder Certification: E163831	
Bobbin Material: Sumitomo PM9820		Drawing Number: BEER28L-1112CPH-P-R2	
UL File: E41429	UL Rec: 94-V0	P-2850	Pin Material: Steel Wire (CP)
MH&W International Corp		Pin Tension: 1.5Kgm min	Finish: matte Sn
Phone 201-891-8800 Email: sales@mhw-intl.com		Part Number: BEER28L-1112CPH-P	

BEER28L-1130CP-P-P4.0

REV	DATE	DESCRIPTION	BY
1	2023/02/28	Initial Release	dr

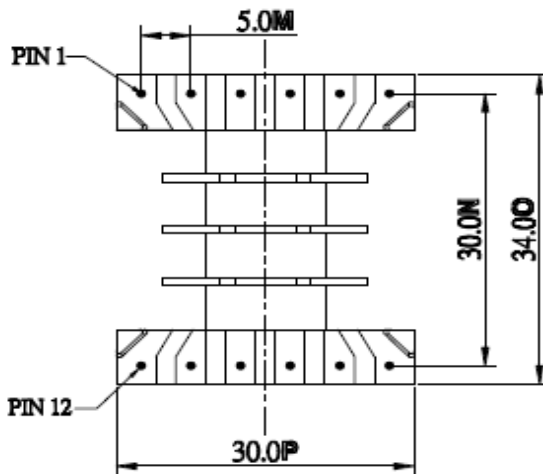
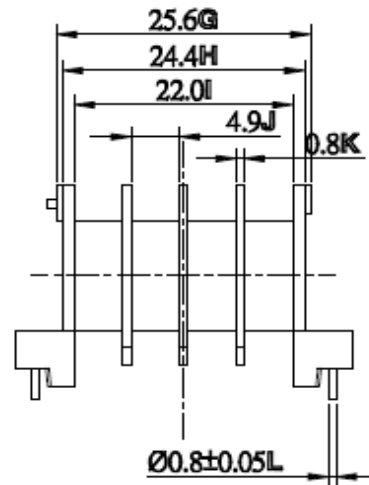
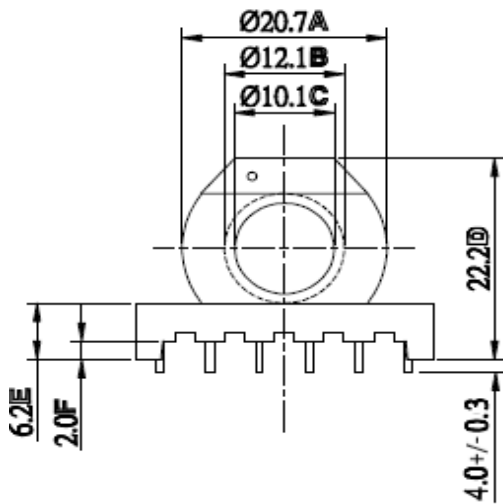
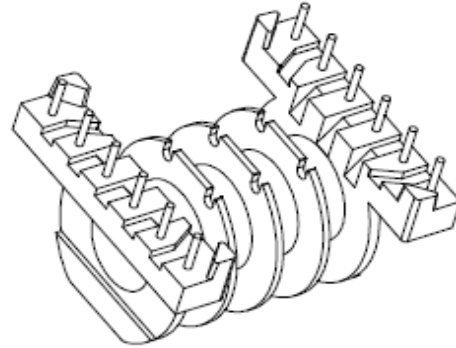
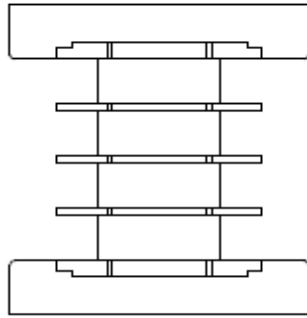


Dimensions in mm

Country of Origin: China	RoHS Certified: YES	UL Molder Certification: E163831
Bobbin Material: Sumitomo PM9820	Drawing Number: BEER28L-1130CP-P-P4.0	
UL File: E41429	UL Rec: 94-V0	P-2853
Pin Material: Steel Wire (CP)		Pin Tension: 1.0Kgm min
Finish: matte Sn		Part Number: BEER28L-1130CP-P-P4.0
MH&W International Corp Phone 201-891-8800 Email: sales@mhw-intl.com		

BEER28L-1412CPH-S-P4.0

REV	DATE	DESCRIPTION	BY
-	2021/03/02	INITIAL ISSUE	dr

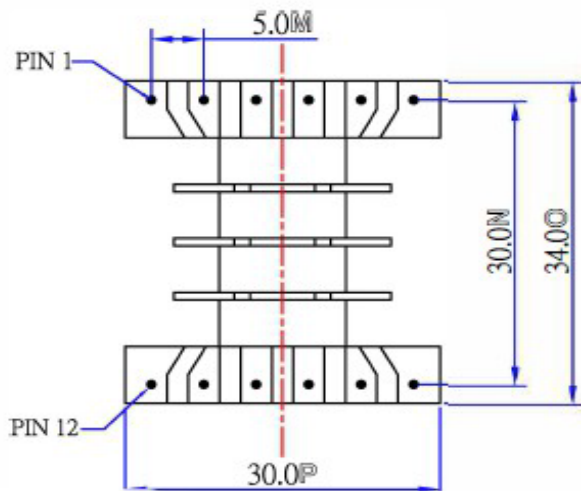
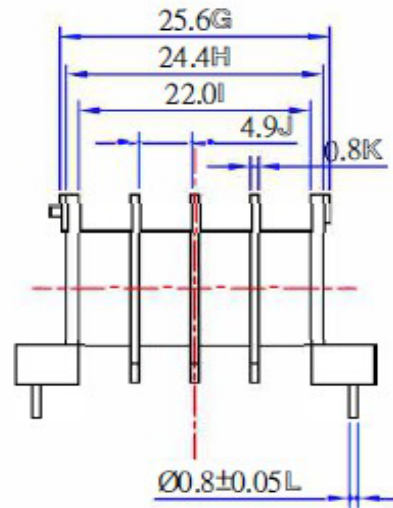
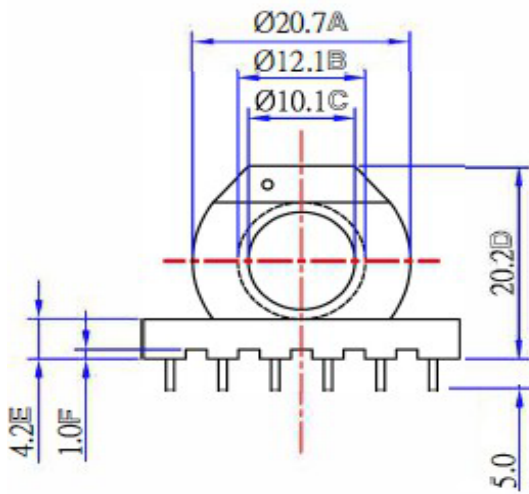
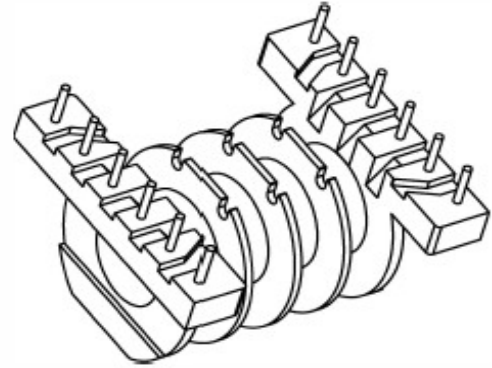
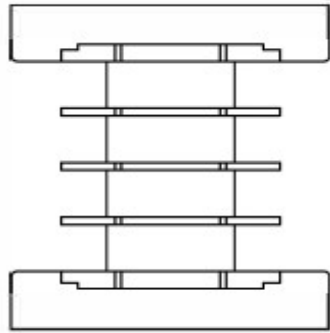


Dimensions in mm

Tolerances: 0<L≤4 ±0.2; 4<L≤16 ±0.3; 16<L≤63 ±0.4		Pin Pitch: ± 0.2	UL Molder Certification: E149570
Country of Origin: China	RoHS Certified: YES	Title: Bobbin EER28L 12Pin 4 Section	
Bobbin Material: PHENOLIC		Drawing Number: BEER28L-1412CPH-S-P4.0	
UL File: E42956	UL Rec: 94-V0	TF-2822-1	Pin Material: Steel Wire (CP)
MH&W International Corp		Pin Tension:	Finish: matte Sn
Phone 201-891-8800 Email: sales@mhw-intl.com		Part Number: BEER28L-1412CPH-S-P4.0	

BEER28L-1412CPH-S-P5.0

REV	DATE	DESCRIPTION	BY
-	2021/03/02	INITIAL ISSUE	dr

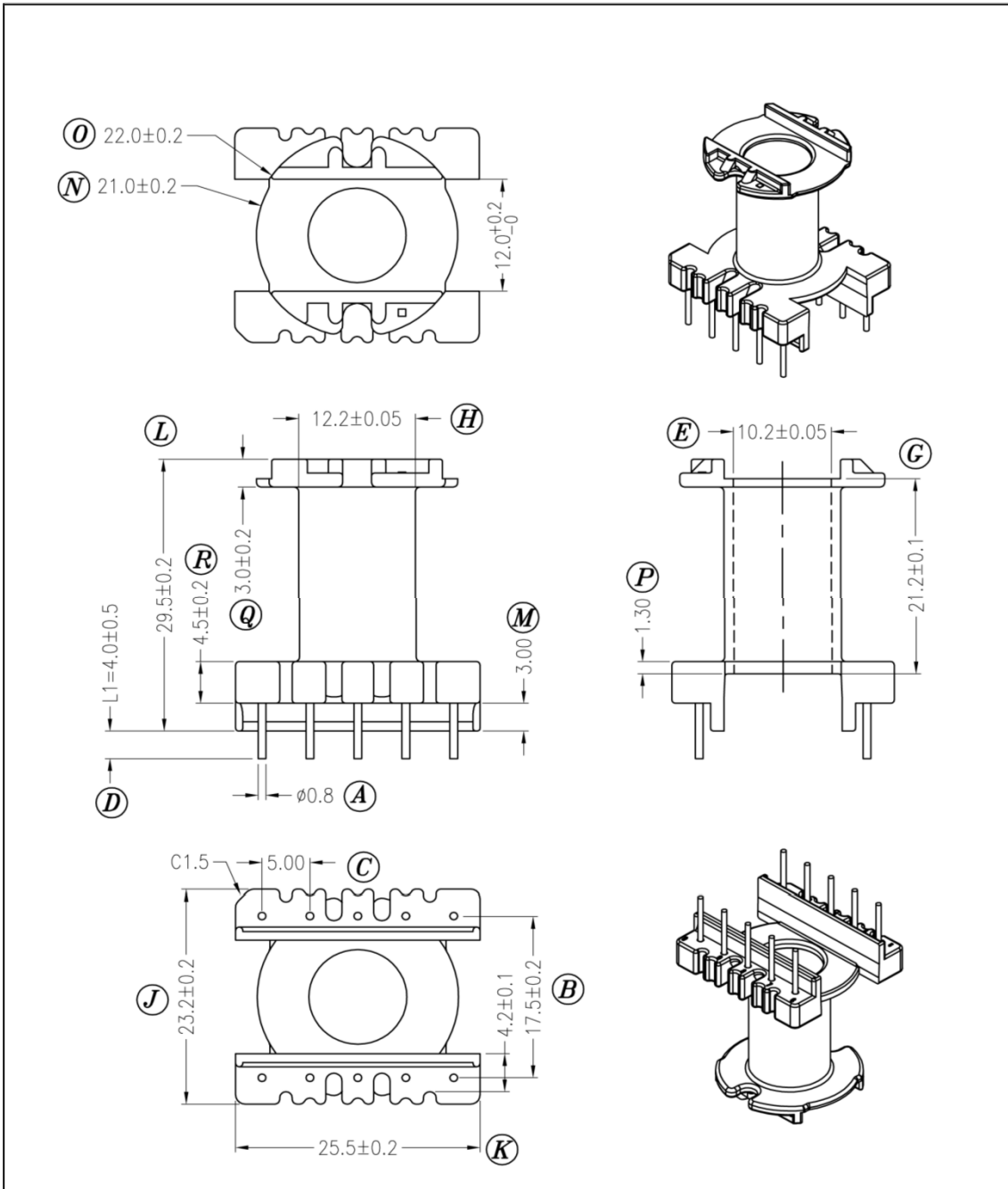


Dimensions in mm

Tolerances: 0<L≤4 ±0.2; 4<L≤16 ±0.3; 16<L≤63 ±0.4		Pin Pitch: ± 0.2	UL Molder Certification: E149570
Country of Origin: China	RoHS Certified: YES	Title: Bobbin EER28L 12Pin 4 Section	
Bobbin Material: PHENOLIC		Drawing Number: BEER28L-1412CPH-S-P5.0	
UL File: E42956	UL Rec: 94-V0	TF-2822	Pin Material: Steel Wire (CP)
MH&W International Corp Phone 201-891-8800 Email: sales@mhw-intl.com		Pin Tension:	Finish: matte Sn
		Part Number: BEER28L-1412CPH-S-P5.0	

BEER28LS-1110CP-P

Revisions	
1	Added country of origin & RoHS

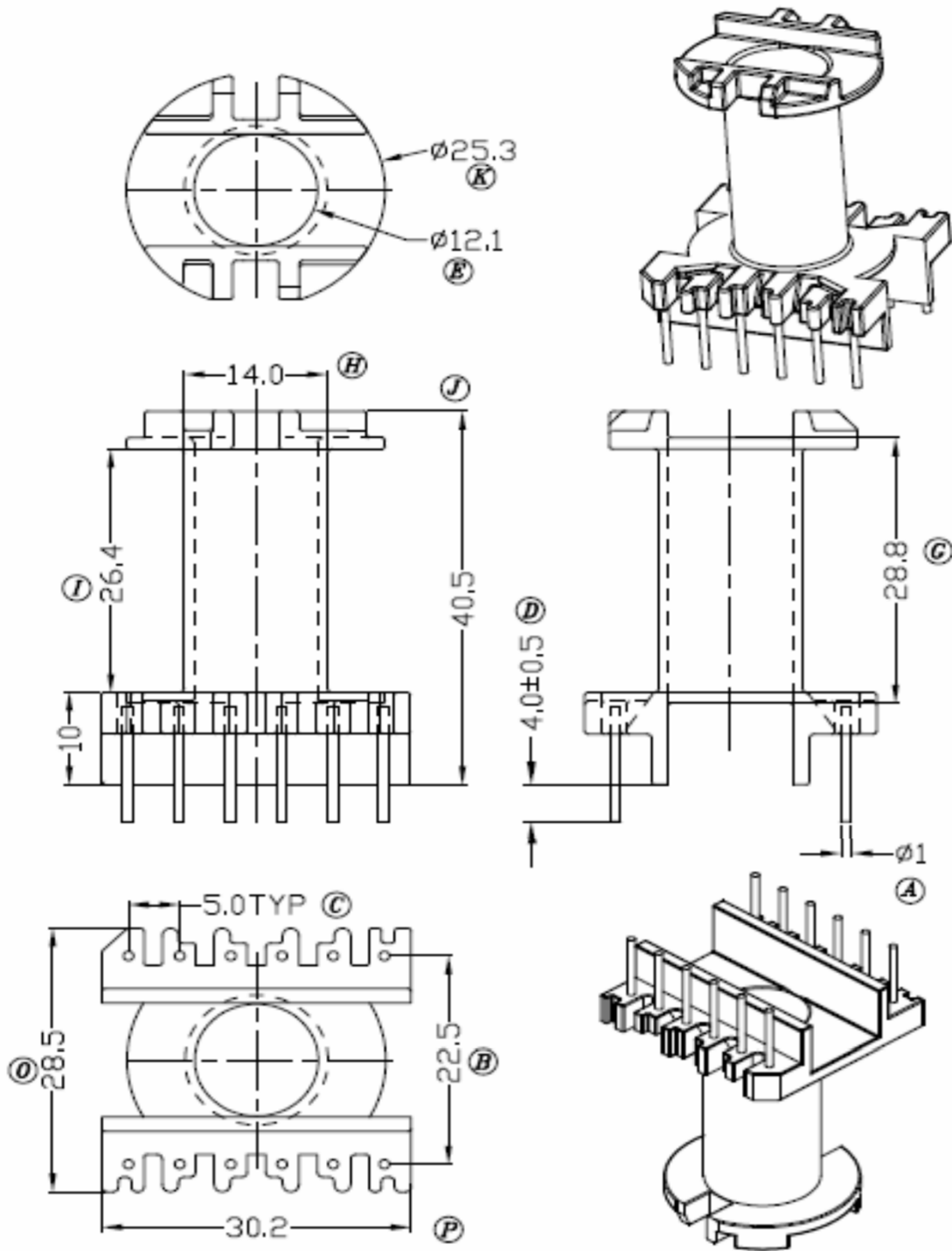


Dimensions in mm

Country of Origin: China	RoHS Certified: YES		
Bobbin Material: Chang Shun Plastics T375J		Drawing Number: BEER28LS-1110CP-P	
UL File: E59481	UL Rec: 94-V0	P-2832	Pin Material: Steel Wire (CP)
MH&W International Corp 201-891-8800 Email: sales@mhw-intl.com		Phone	Pin Tension: 1.5Kgm min
			Finish: e3 (JEDEC)
		Part Number: BEER28LS-1110CP-P	

BEER35-1112CP-P-P4.0

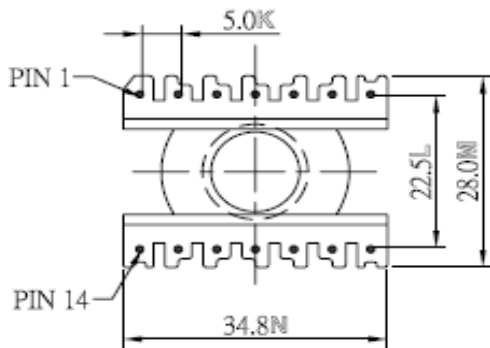
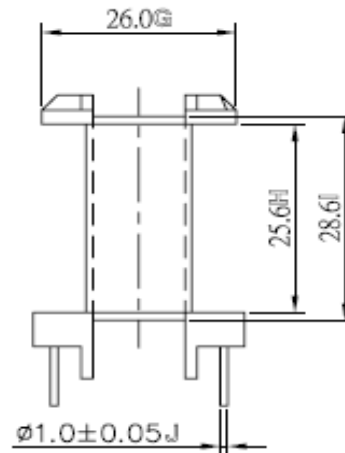
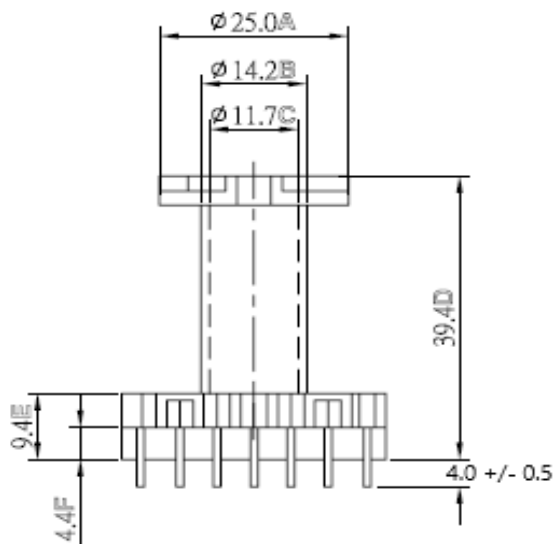
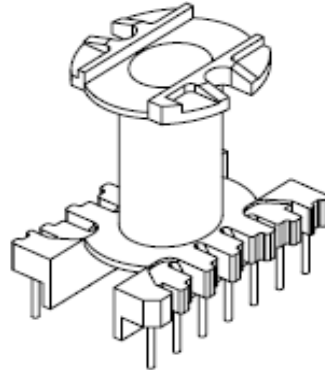
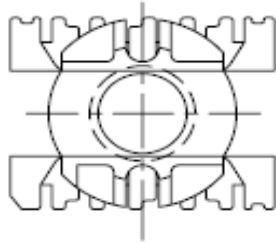
Revisions			
-	2017/01/15	Initial Issue	gvs
			gvs



Tolerances: $0 < L \leq 4 \pm 0.2$; $4 < L \leq 16 \pm 0.3$; $16 < L \leq 63 \pm 0.4$		Pin Pitch: ± 0.2	Dimensions in mm
Country of Origin: China	RoHS Certified: YES	UL Molder Certification: E163831	
Bobbin Material: Phenolic Sumitomo PM9820		Drawing Number: BEER35-1112CP-P-P4.0	
UL File: E41429	UL Rec: 94-V0	P-3509-P4.0	Pin Material: Steel Wire (CP)
MH&W International Corp		Pin Tension: 1.5Kgm min	Finish: matte Sn
Phone 201-891-8800 Email: sales@mhw-intl.com		Part Number: BEER35-1112CP-P-P4.0	

BEER35-1114CP-S-P4.0

REVISIONS	DATE	DESCRIPTION	BY
-	2019/11/05	INITIAL ISSUE	dr



Dimensions in mm

Pin Pitch: ± 0.2

Country of Origin: China

RoHS Certified: YES

Bobbin Material: Sumitomo PM-9820

UL File: E41429

UL Rec: 94-V0

TF-3512

MH&W International Corp

Phone 201-891-8800 Email: sales@mhw-intl.com

UL Molder Certification: E149570

Tolerances: $0 < L \leq 4 \pm 0.2$; $4 < L \leq 16 \pm 0.3$; $16 < L \leq 63 \pm 0.4$

Drawing Number: BEER35-1114CP-S-P4.0

Pin Material: Steel Wire (CP)

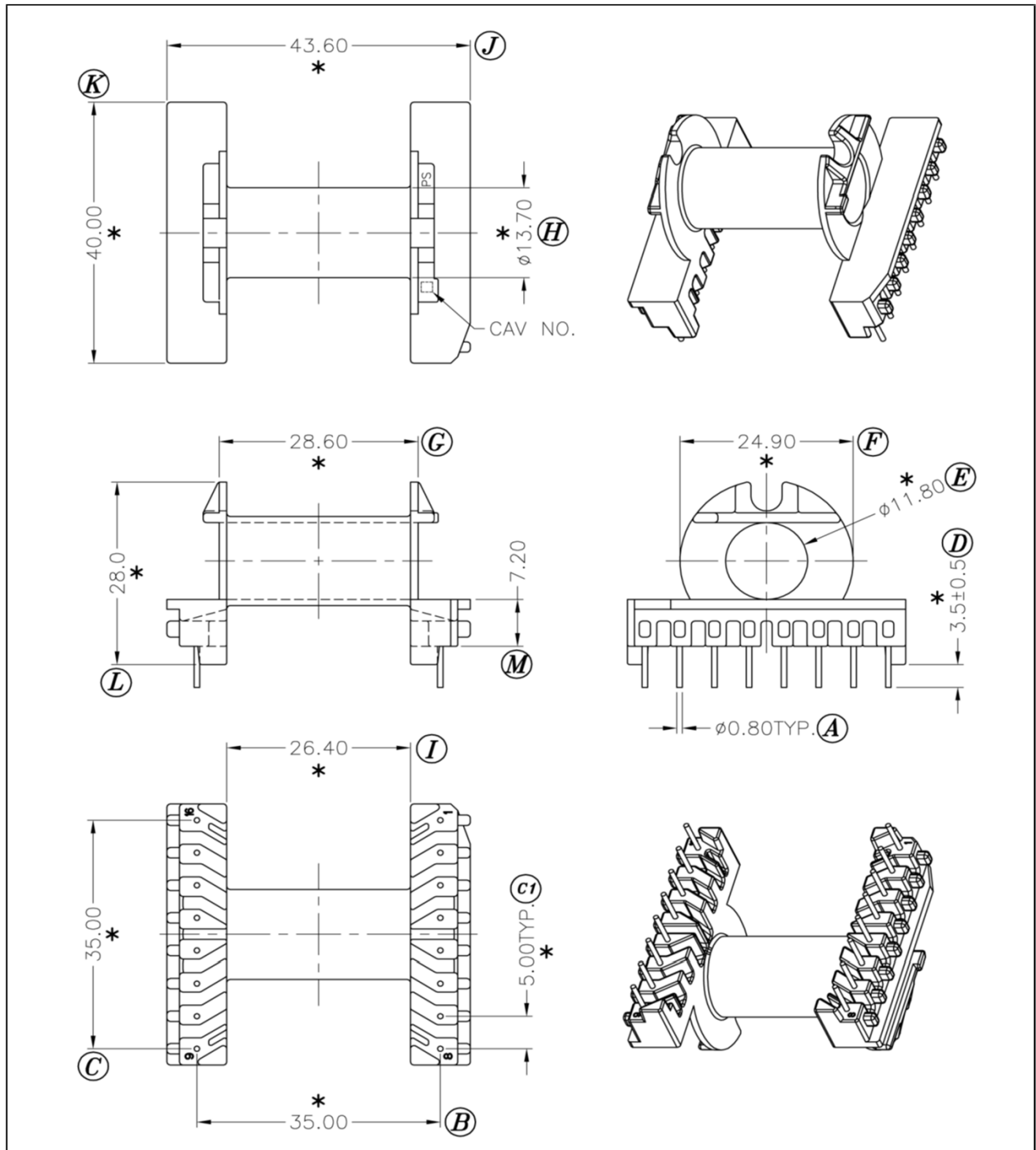
Pin Tension: 1.5Kgmin

Finish: matte Sn

Part Number: BEER35-1114CP-S-P4.0

BEER35-1116CPH-P

Revisions			
R1	2013/04/01	Added Country of Origin and RoHS	gvs
R2	2015/07/01	Updated Part tolerances	gvs

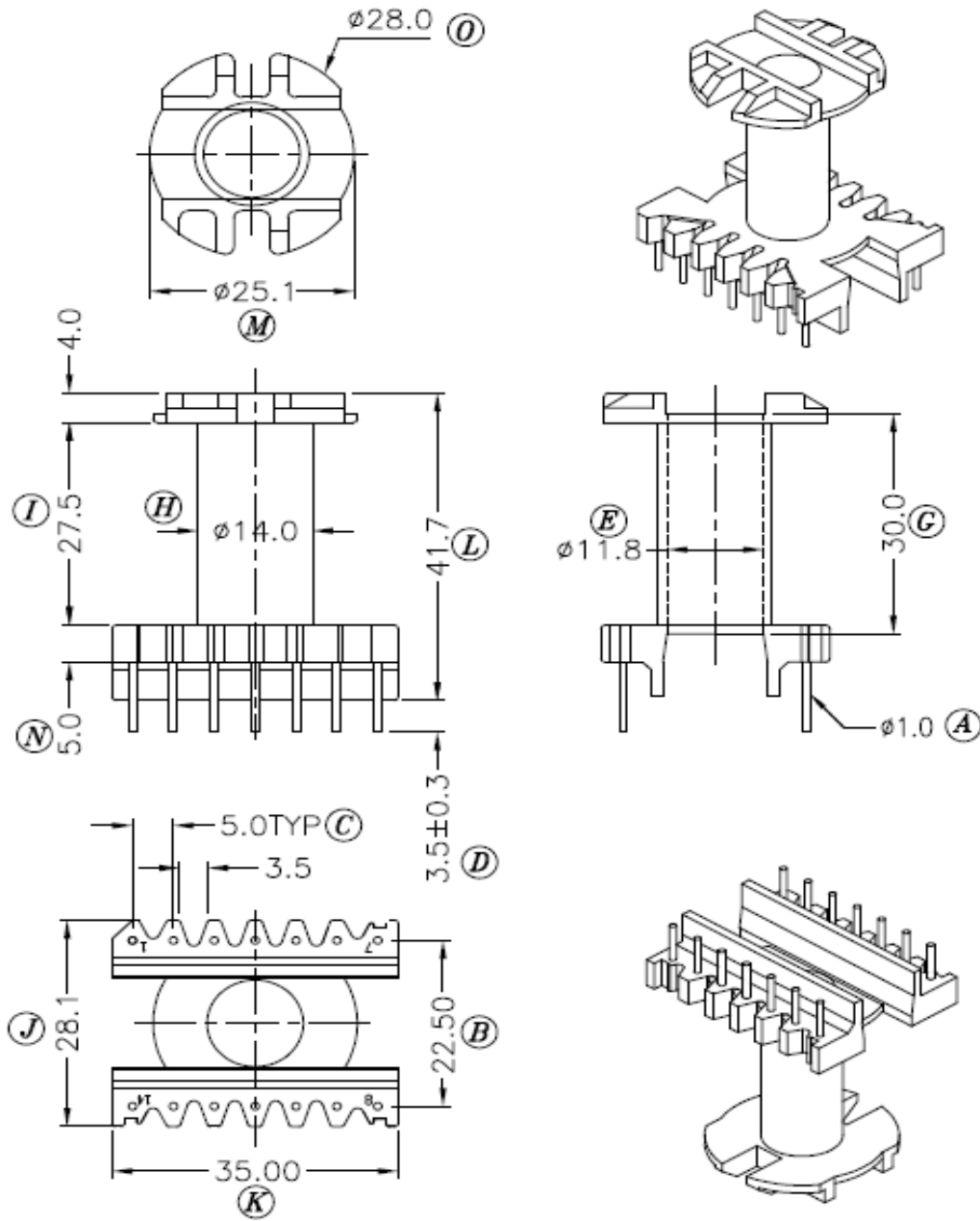


Dimensions in mm

Pin Pitch: ± 0.2		UL Molder Certification: E163831	
Country of Origin: China		RoHS Certified: YES	
Tolerances: $0 < L \leq 4 \pm 0.2$; $4 < L \leq 16 \pm 0.3$; $16 < L \leq 63 \pm 0.4$		Drawing Number: BEER35-1116CPH-P-R2	
Bobbin Material: Sumitomo PM9820		Pin Material: Steel Wire (CP)	
UL File: E41429	UL Rec: 94-V0	P-3538	Pin Tension: 1.5Kgm min
Finish: matte Sn		Part Number: BEER35-1116CPH-P	
MH&W International Corp Phone 201-891-8800 Email: sales@mhw-intl.com			

BEER35L-1114CP-P-P3.5

REVISIONS	DATE	DESCRIPTION	BY
-	2019/12/12	INITIAL ISSUE	dr

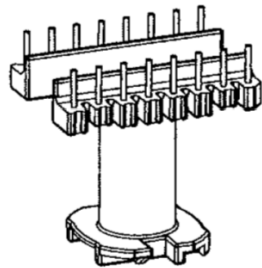
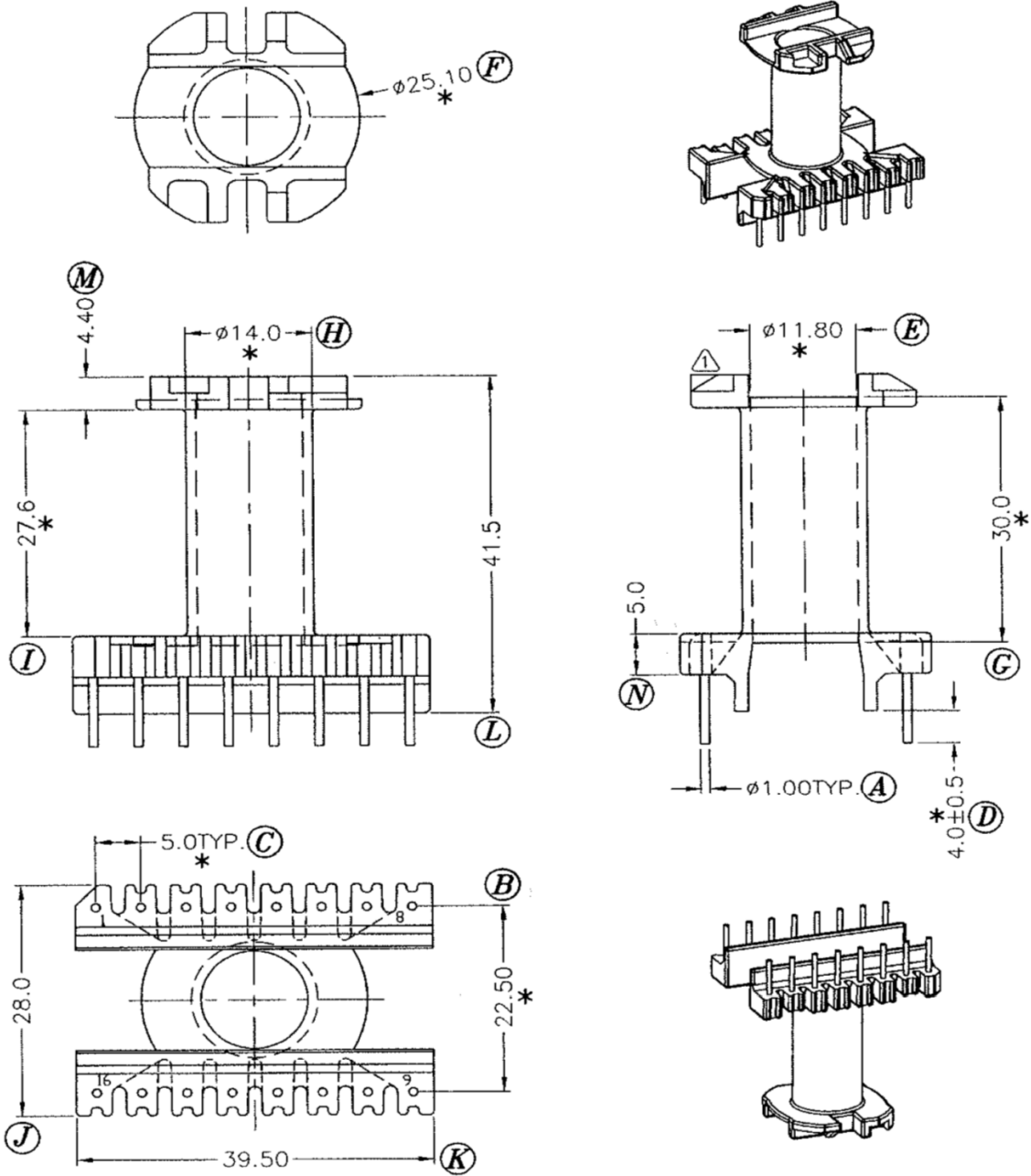


Dimensions in mm

Country of Origin: China	RoHS Certified: YES	UL Molder Certification: E163831
Bobbin Material: PHENOLIC T375J	Drawing Number: BEER35L-1114CP-P-P3.5	
UL File: E59481	UL Rec: 94-V0	P-3503-1
Pin Material: Steel Wire (CP)		Pin Tension: 2.0Kgm min
Finish: MATTE Sn		Part Number: BEER35L-1114CP-P-P3.5
MH&W International Corp Phone 201-891-8800 Email: sales@mhw-intl.com		

BEER35L-1116CP-P-P4.0

Revisions	

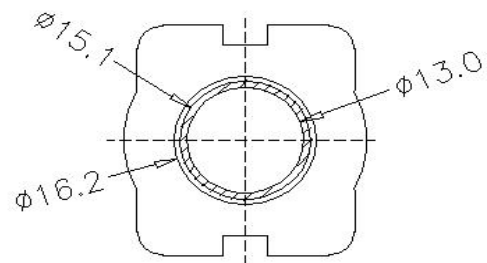
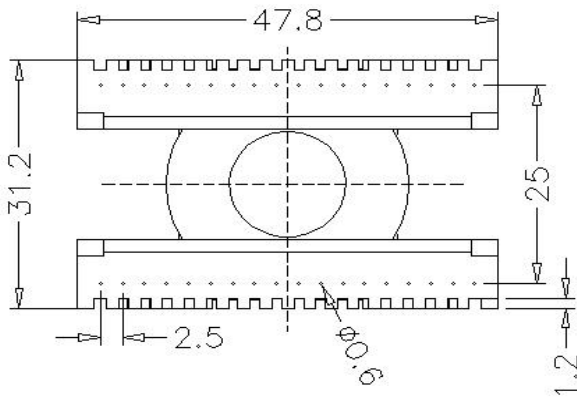
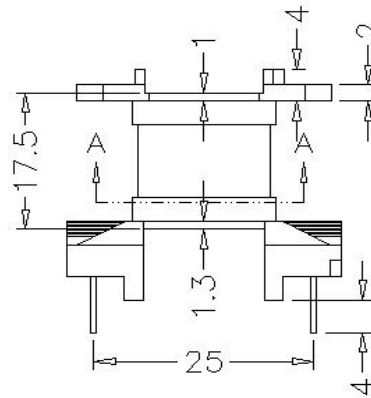
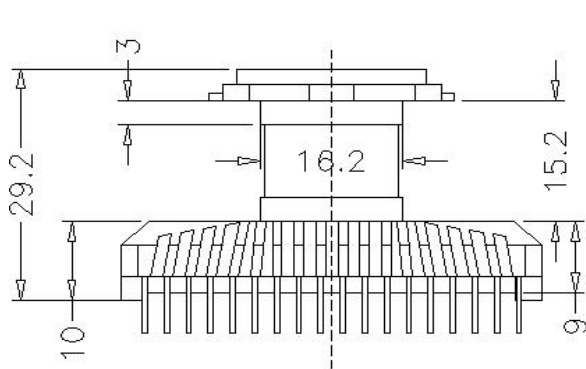
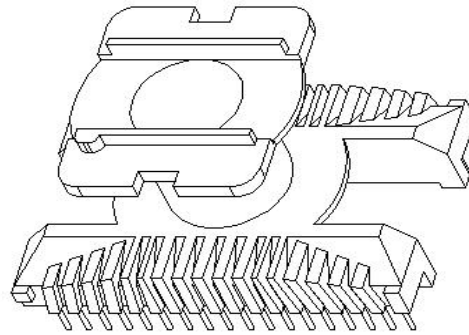
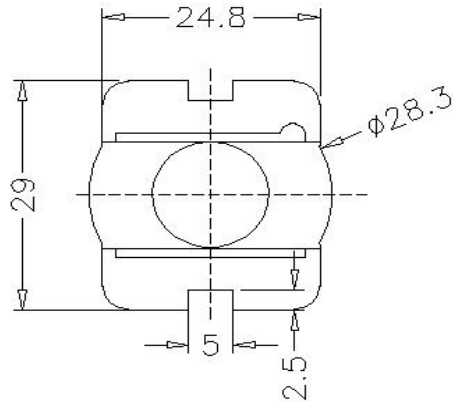


Dimensions in mm

Country of Origin: China	RoHS Certified: YES	UL Molder Certification: E163831
Bobbin Material: PHENOLIC Sumitomo PM9820		Drawing Number: BEER35L-1116CP-P-P4.0
UL File: E41429	UL Rec: 94-V0	P-3516-P4.0
Pin Material: Steel Wire (CP)		Pin Tension: 1.5Kgm min
Finish: MATTE Sn		Part Number: BEER35L-1116CP-P-P4.0
MH&W International Corp Phone 201-891-8800 Email: sales@mhw-intl.com		

BEER39-1136CP-N-P4.0

Revisions			
-	2018/05/30	INITIAL ISSUE	dar



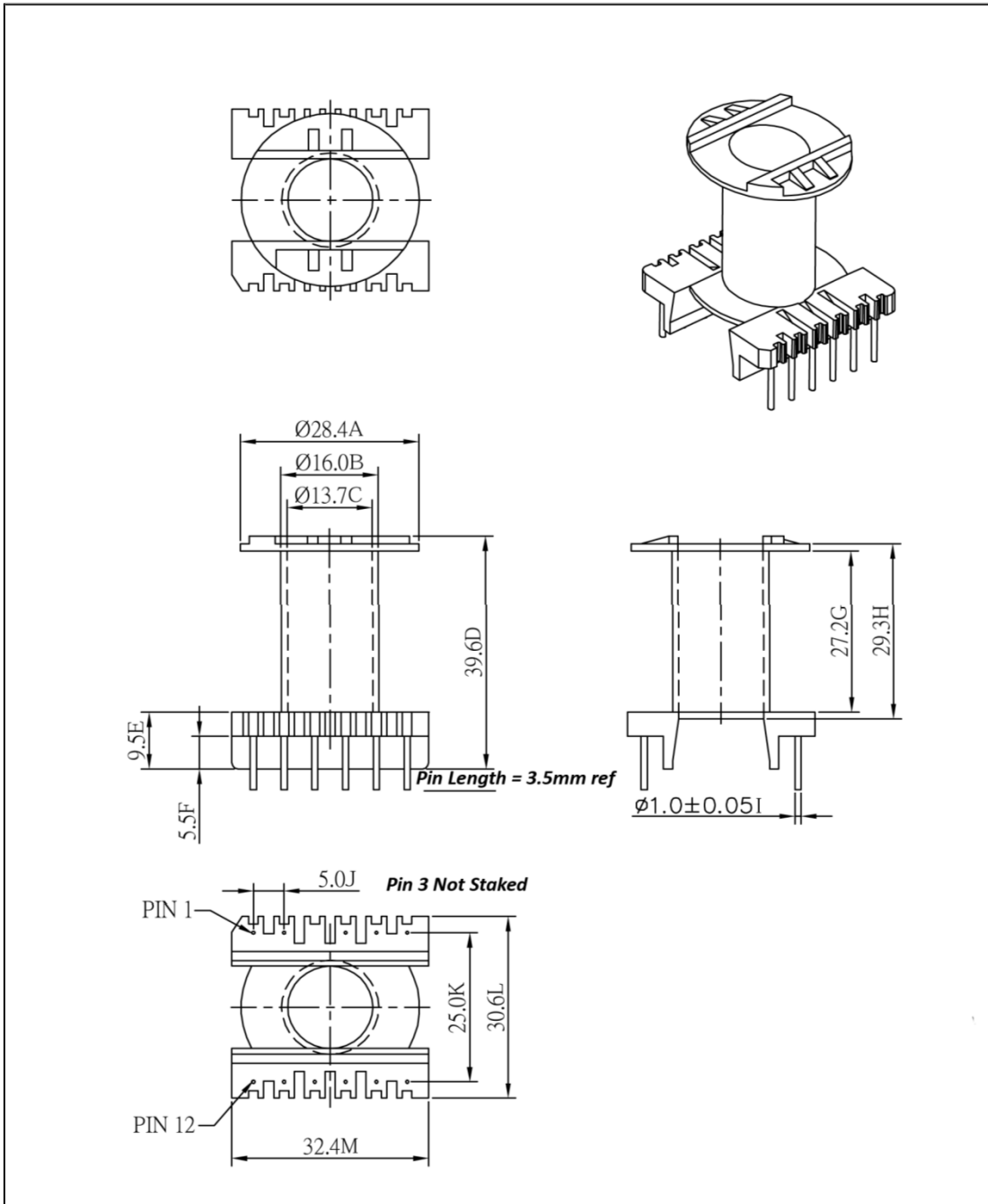
SECTION A-A

Dimensions in mm

Pin Pitch: ± 0.2		UL Molder Certification: E304843	
Country of Origin: China		RoHS Certified: YES	
Bobbin Material: CHANG CHUNG PLASTICS T375J		Tolerances: $0 < L \leq 4 \pm 0.2$; $4 < L \leq 16 \pm 0.3$; $16 < L \leq 63 \pm 0.4$	
UL File: E42956		Drawing Number: BEER39-1136CP-N-P4.0	
UL Rec: 94-V0		Pin Material: Steel Wire (CP)	
N-0985 Rev 0		Pin Tension: 2.0Kgm min	
Finish: matte Sn		Part Number: BEER39-1136CP-N-P4.0	
MH&W International Corp Phone 201-891-8800 Email: sales@mhw-intl.com			

BEER40-1111CP-S-P3.5

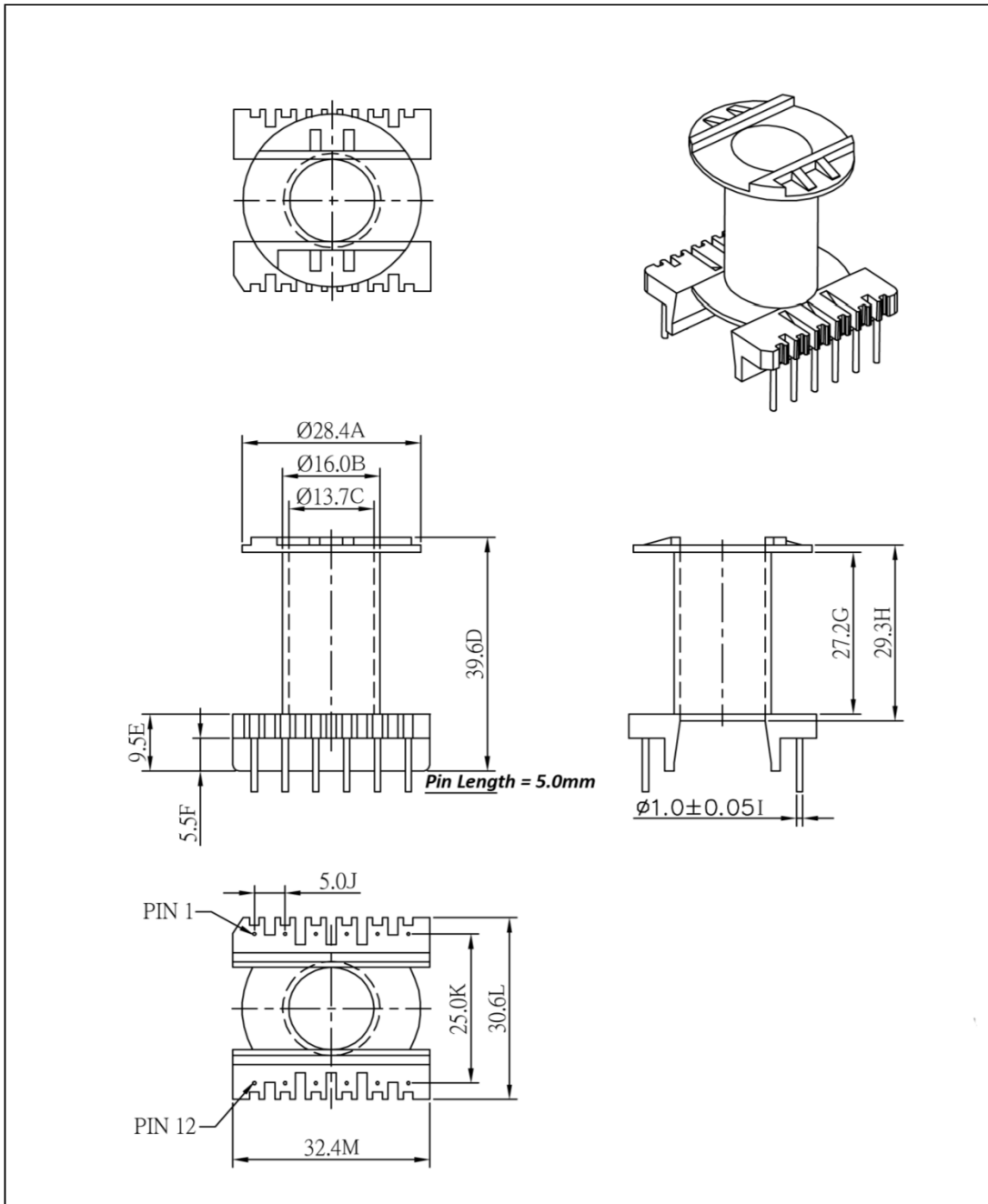
Revisions			



Inventory Number: TF-4009-11-P3.5		Dimensions in mm	
Country of Origin: China	RoHS Certified: YES	UL Molder Certification: E149570	
Bobbin Material: Chang Chung Plastics T375HF		Drawing Number: BEER40-1111CP-S-P3.5	
UL File: E59481	UL Rec: 94-V0	Pin Material: Steel Wire (CP)	
MH&W International Corp Phone 201-891-8800 Email: sales@mhw-intl.com		Pin Tension: 1.5Kgm min	Finish: Sn
		Part Number: BEER40-1111CP-S-P3.5	

BEER40-1112CP-S-P5.0

Revisions			

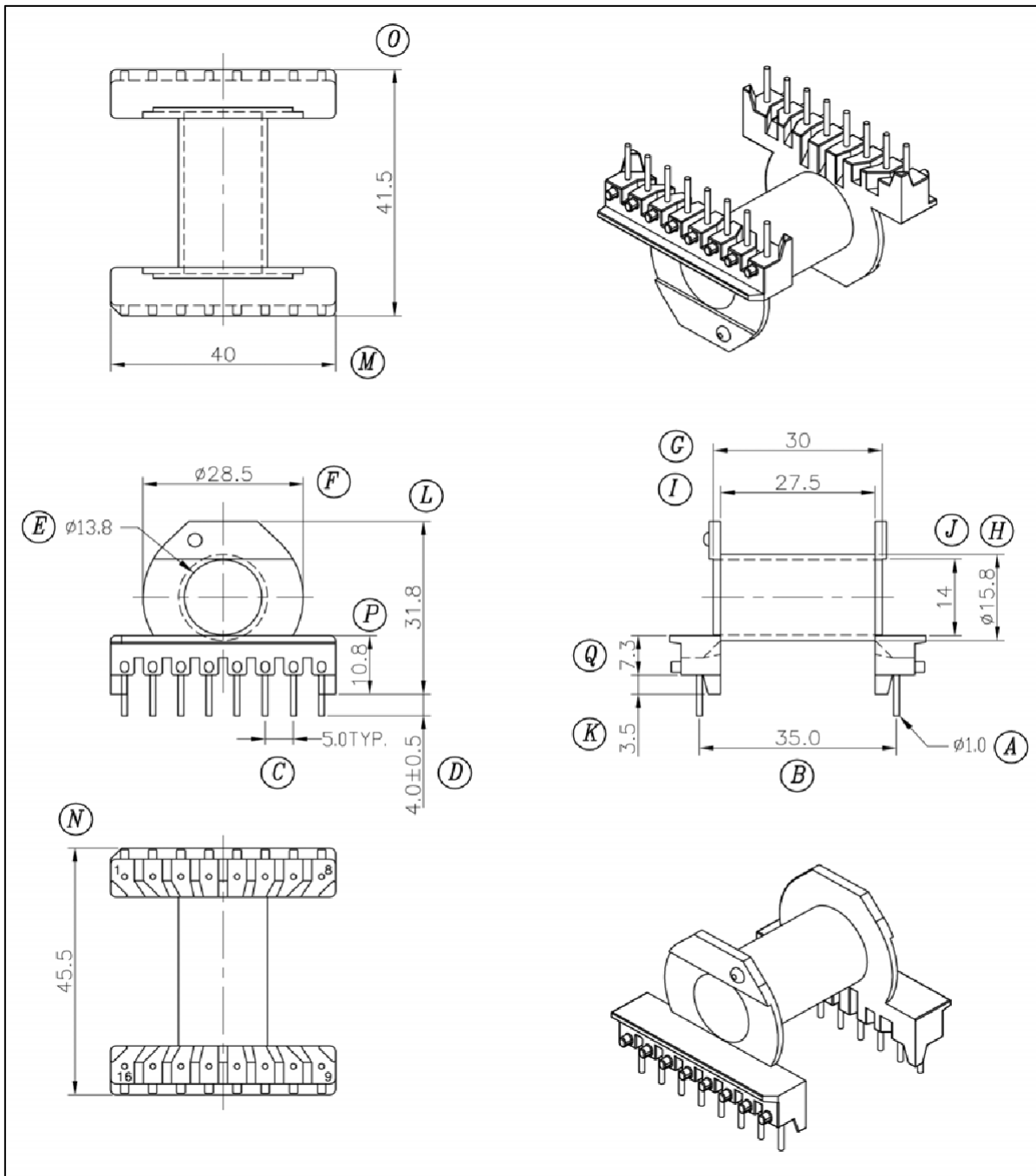


Inventory Number: TF-4009-P5.0		Dimensions in mm	
Country of Origin: China	RoHS Certified: YES	UL Molder Certification: E149570	
Bobbin Material: Chang Chung Plastics T375HF		Drawing Number: BEER40-1112CP-S-P5.0	
UL File: E59481	UL Rec: 94-V0	Pin Material: Steel Wire (CP)	
MH&W International Corp Phone 201-891-8800 Email: sales@mhw-intl.com		Pin Tension: 1.5Kgm min	Finish: Sn
		Part Number: BEER40-1112CP-S-P5.0	

BEER40-1116CPH-P

Revisions

1	Added country of origin & RoHS
---	--------------------------------



Dimensions in mm

Country of Origin: China	RoHS Certified: YES
--------------------------	---------------------

Bobbin Material: Sumitomo PM9820	Drawing Number: BEER40-1116CPH-P-1
----------------------------------	------------------------------------

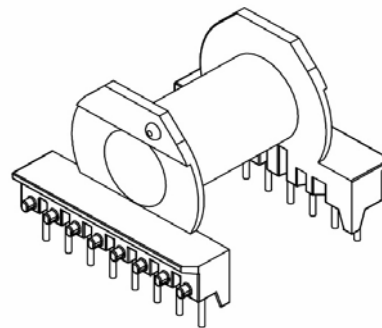
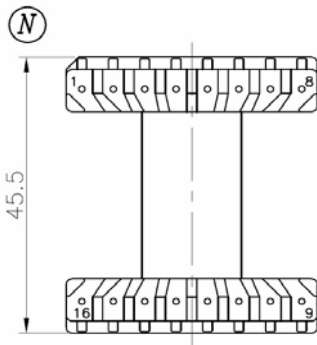
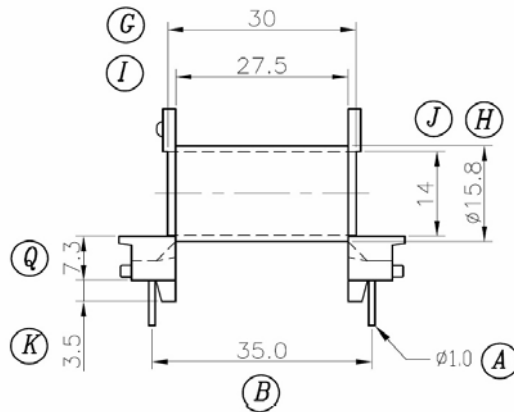
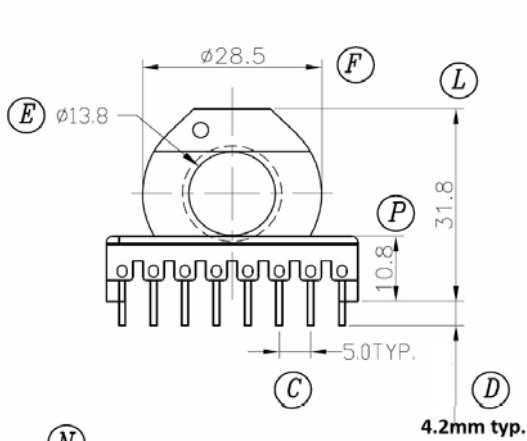
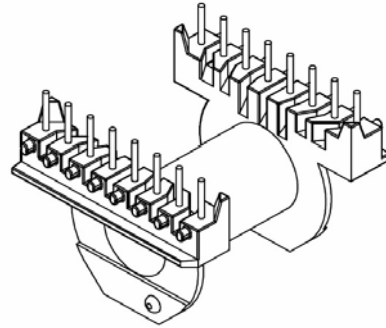
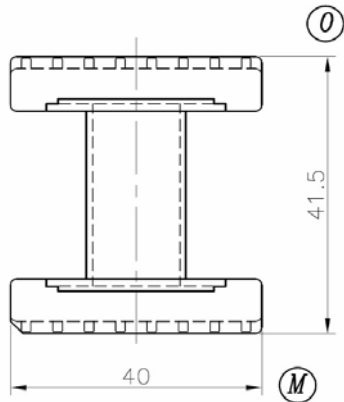
UL File: E41429	UL Rec: 94-V0	P-4005-1	Pin Material: Steel Wire (CP)
-----------------	---------------	----------	-------------------------------

MH&W International Corp	Phone	Pin Tension: 2.0Kgm min	Finish: e3 (JEDEC)
-------------------------	-------	-------------------------	--------------------

201-891-8800 Email: sales@mhw-intl.com	Part Number: BEER40-1116CPH-P
--	-------------------------------

BEER40-1116CPH-P-P4.2

Revisions



Inventory No: P-4005-1-P4.2

Dimensions in mm

Country of Origin: China RoHS Certified: YES

UL Molder Certification: E163831

Bobbin Material: Sumitomo PM9630

Drawing Number: BEER40-1116CPH-P-P4.2

UL File: E41429 UL Rec: 94-V0

Pin Material: Steel Wire (CP)

MH&W International Corp Phone

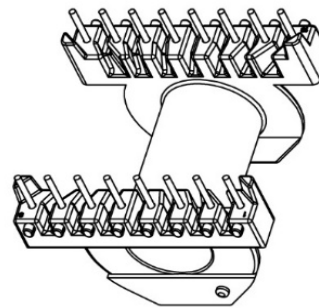
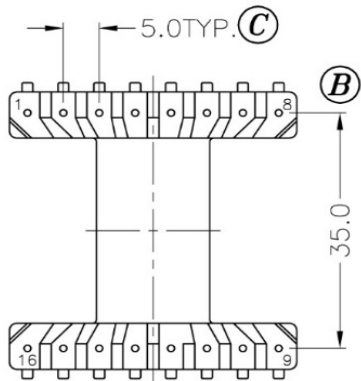
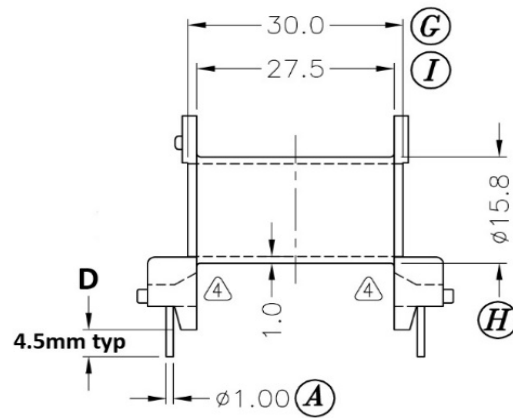
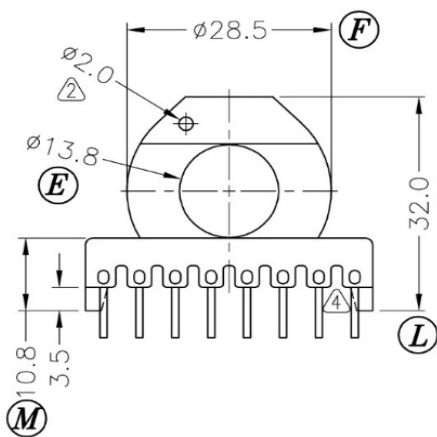
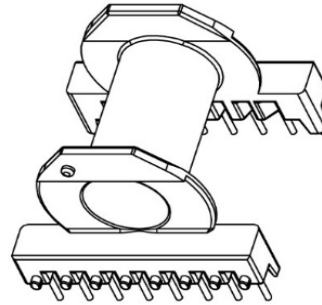
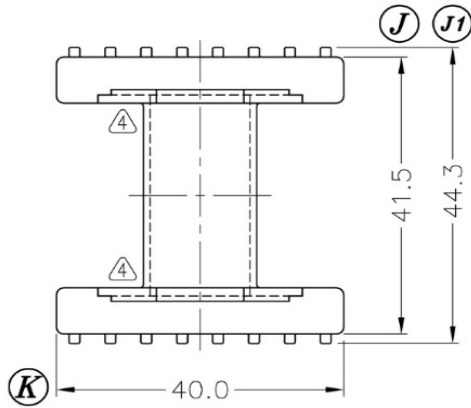
Pin Tension: 2.0Kgm min Finish: e3 (JEDEC)

201-891-8800 Email: sales@mhw-intl.com

Part Number: BEER40-1116CPH-P-P4.2

BEER40-1116CPH-P-P4.5

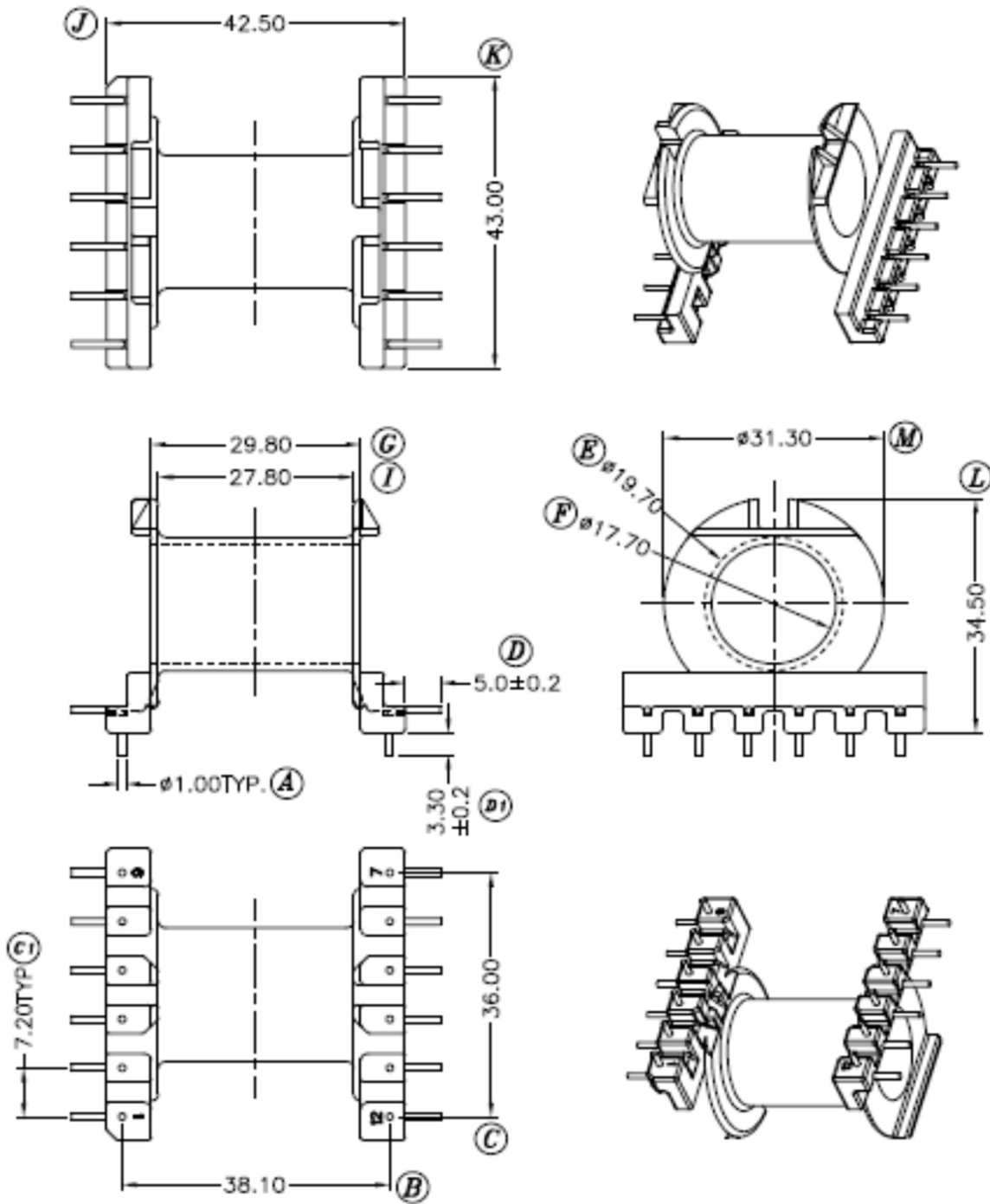
REV	DATE	DESCRIPTION	BY
-	2018/05/29	INITIAL ISSUE	dr
1	2024/12/06	Changed material from PM9820 to T375J	dr



Inventory Number: P-4005-P4.5		Dimensions in mm	
Country of Origin: China	RoHS Certified: YES	UL Molder Certificaiton: E163831	
Bobbin Material: ChangChun T375J		Drawing Number: BEER40-1116CPH-P-P4.5	
UL File: E59481	UL Rec: 94-V0	Pin Material: Steel Wire (CP)	
MH&W International Corp Phone 201-891-8800 Email: sales@mhw-intl.com		Pin Tension: 2.0Kgm min	Finish: Sn
		Part Number: BEER40-1116CPH-P-P4.5	

BEER42/42/20-1112CPH-P-P3.3

Revisions			
-	2017/12/13	INITIAL ISSUE	gvs

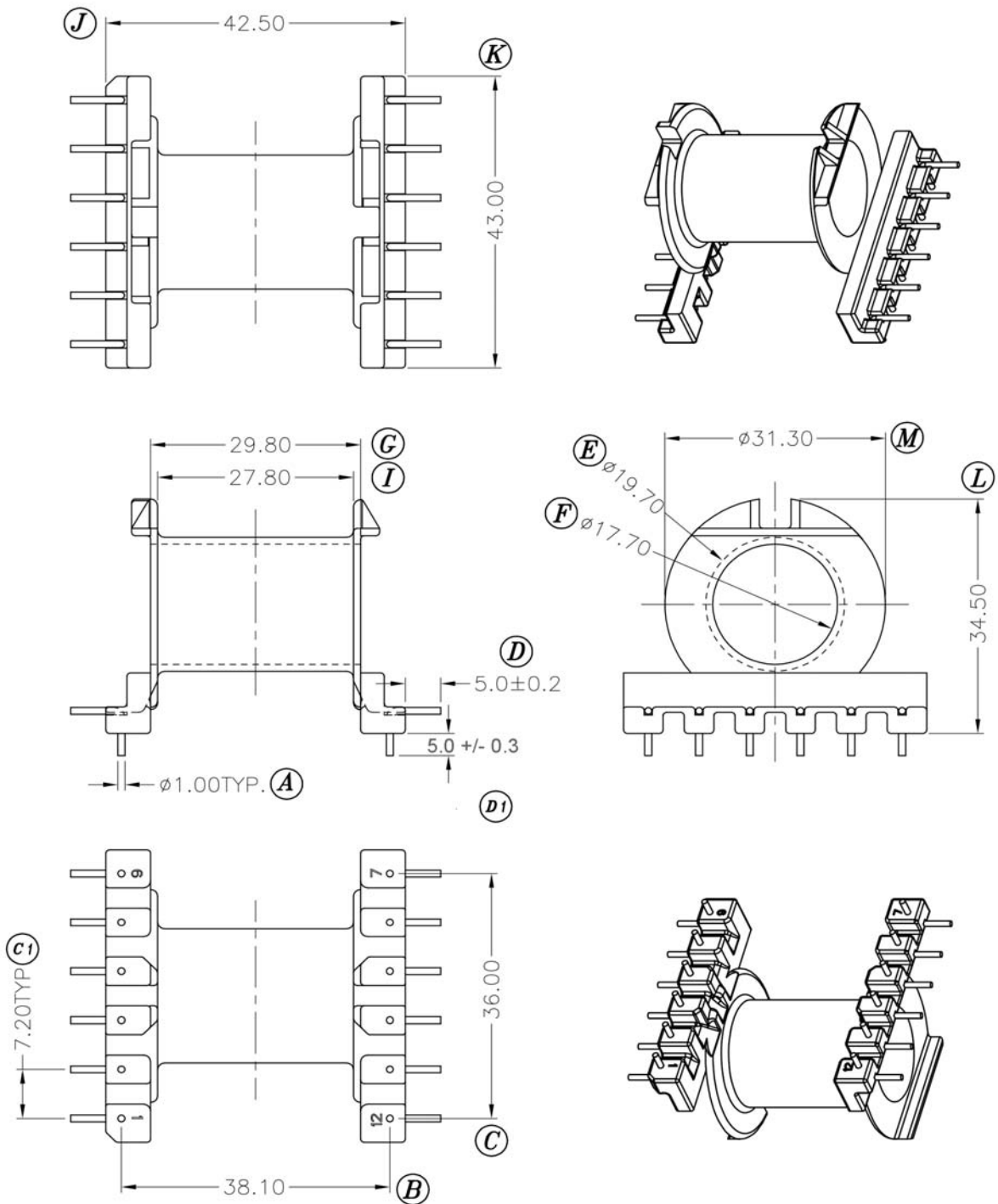


Dimensions in mm

Pin Pitch: ± 0.2		UL Molder Certification: E163831	
Country of Origin: China	RoHS Certified: YES	Tolerances: 0<L≤4 ±0.2; 4<L≤16 ±0.3; 16<L≤63 ±0.4	
Bobbin Material: PHENOLIC CP-J-8800		Drawing Number: BEER42_42_20-1112CPH-P-P3.3	
UL File: E42956	UL Rec: 94-V0	P-4218-1	Pin Material: Steel Wire (CP)
MH&W International Corp		Pin Tension: 1.5Kgm min	Finish: matte Sn
Phone 201-891-8800 Email: sales@mhw-intl.com		Part Number: BEER42/42/20-1112CPH-P-P3.3	

BEER42/42/20-1112CPH-P-P5.0

Revisions			
-	2017/12/05	PRELIMINARY	gvs

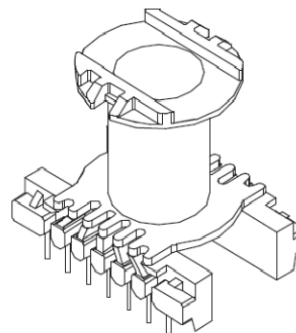
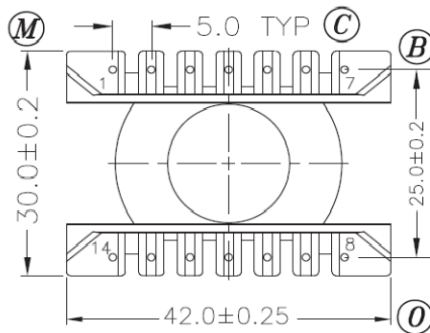
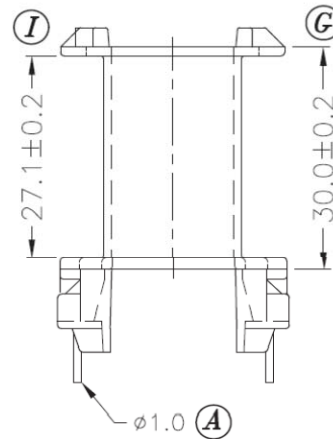
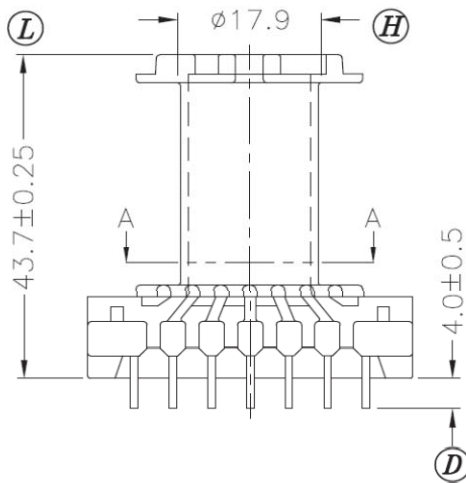
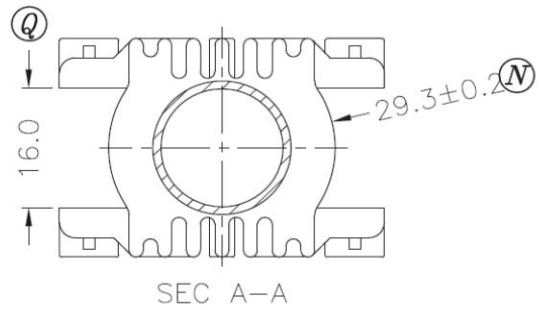
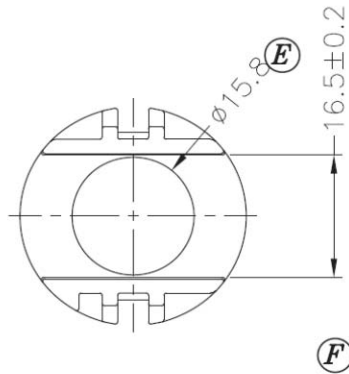


Dimensions in mm

Pin Pitch: ± 0.2		UL Molder Certification: E163831	
Country of Origin: China		RoHS Certified: YES	
Bobbin Material: PHENOLIC		Tolerances: 0<L≤4 ±0.2; 4<L≤16 ±0.3; 16<L≤63 ±0.4	
UL File:		Drawing Number: BEER42_42_20-1112CPH-P-P5.0	
UL Rec: 94-V0		Pin Material: Steel Wire (CP)	
P-4218-1		Pin Tension: 1.5Kgm min	
Finish: matte Sn		Part Number: BEER42/42/20-1112CPH-P-P5.0	
MH&W International Corp Phone 201-891-8800 Email: sales@mhw-intl.com			

BEER42-1114CP-P-4.0

Revisions	

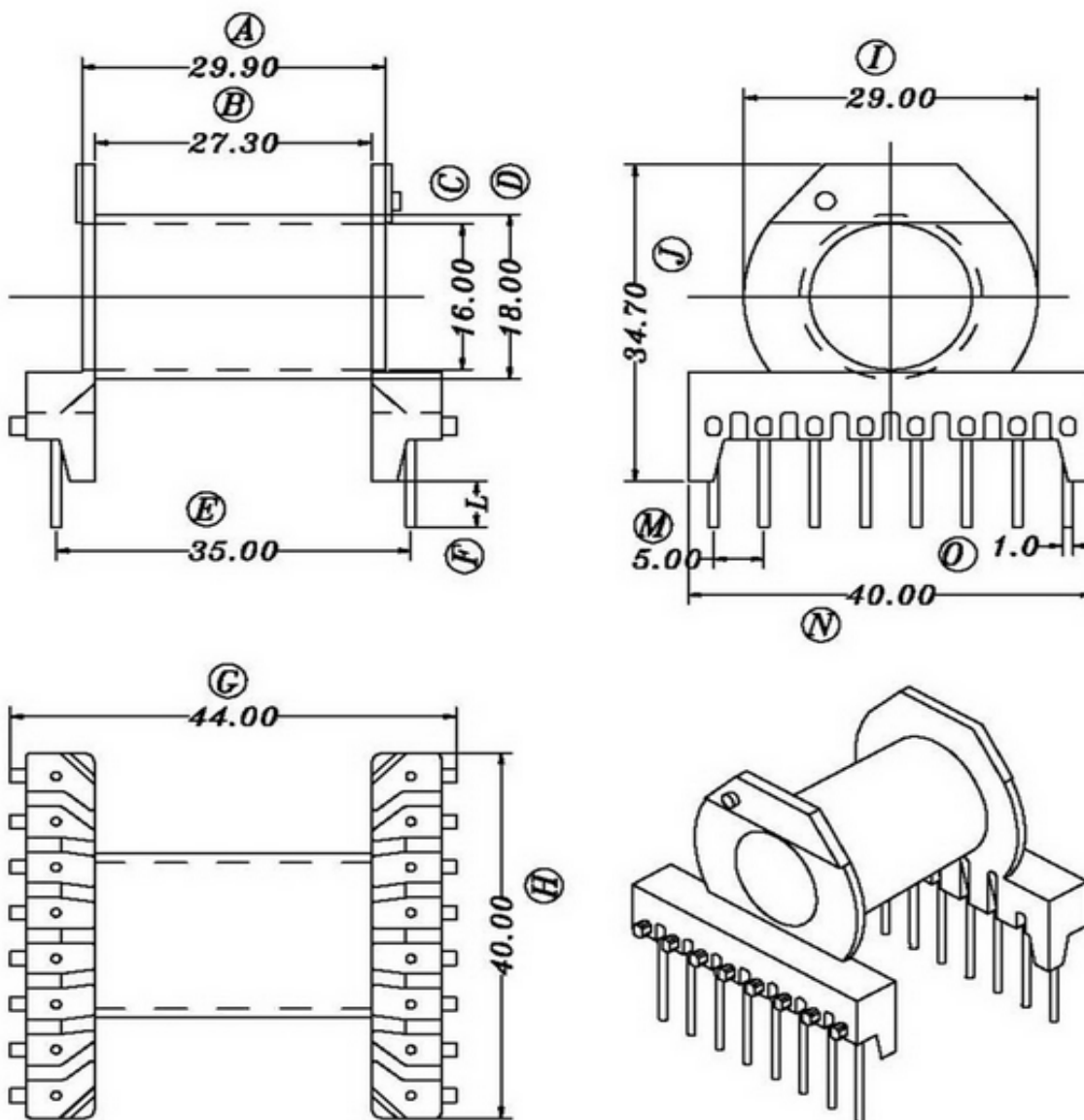


Dimensions in mm

Country of Origin: China	RoHS Certified: YES		
Bobbin Material: Chang Shun Plastics T375J		Drawing Number: BEER42-1114CP-P-4.0	
UL File: E59481	UL Rec: 94-V0	P-4206	Pin Material: Steel Wire (CP)
MH&W International Corp		Pin Tension: 2.0Kgm min	Finish: e3 (JEDEC)
Phone 201-891-8800 Email: sales@mhw-intl.com		Part Number: BEER42-1114CP-P-4.0	

BEER42-1116CPH-PM-P5.0

REV	DATE	DESCRIPTION	BY
-	9/4/2025	INITIAL ISSUE	dr



Dimensions in mm

Tolerances: 0 < L ≤ 4: ±0.2 4 < L ≤ 16: ±0.3 16 < L ≤ 63: ±0.4

Tolerance of Pin Pitch: ±0.20

Country of Origin: China

RoHS Certified: YES

UL Molder Certification: E315110

Bobbin Material: Phenolic Sumitomo PM9630

Drawing Number: BEER42-1116CPH-PM-P5.0

UL File: E41429

UL Rec: 94-V0

P-4211-5.0 Pin Length

Pin Material: Steel Wire (CP)

MH&W International Corp

Pin Tension: >1.5Kgm

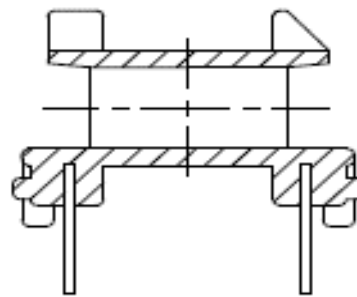
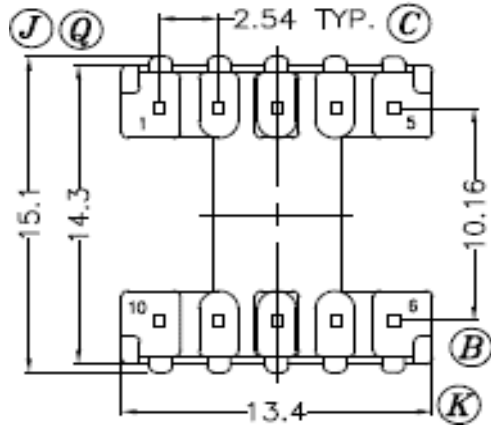
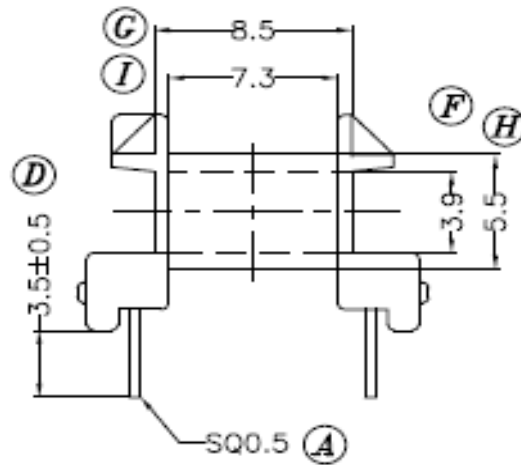
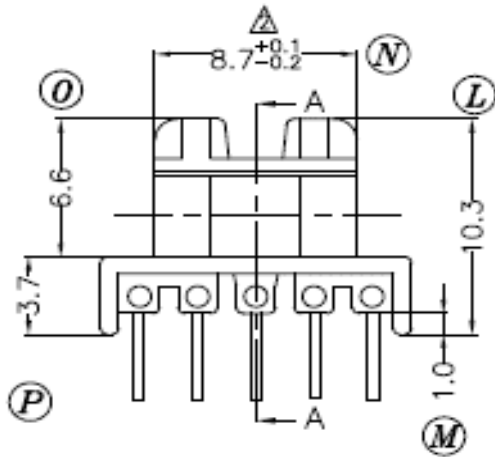
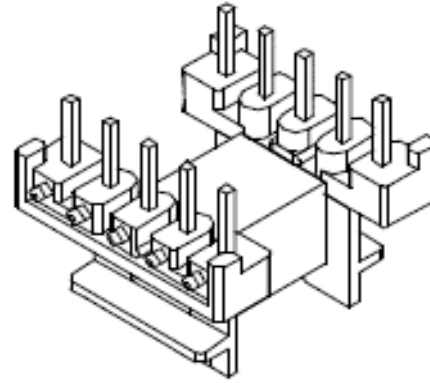
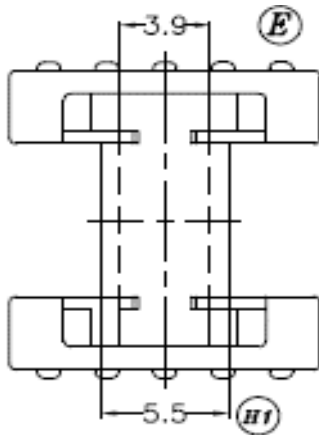
Pin Plating: CuSn

Phone 201-891-8800 Email: sales@mhw-intl.com

Part Number: BEER42-1116CPH-PM-P5.0

BEF12.6-1110CPH-P-SQ3.5

Revisions		
-	2017/05/15	Initial Issue
		gvs

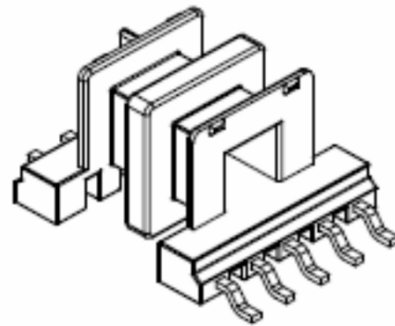
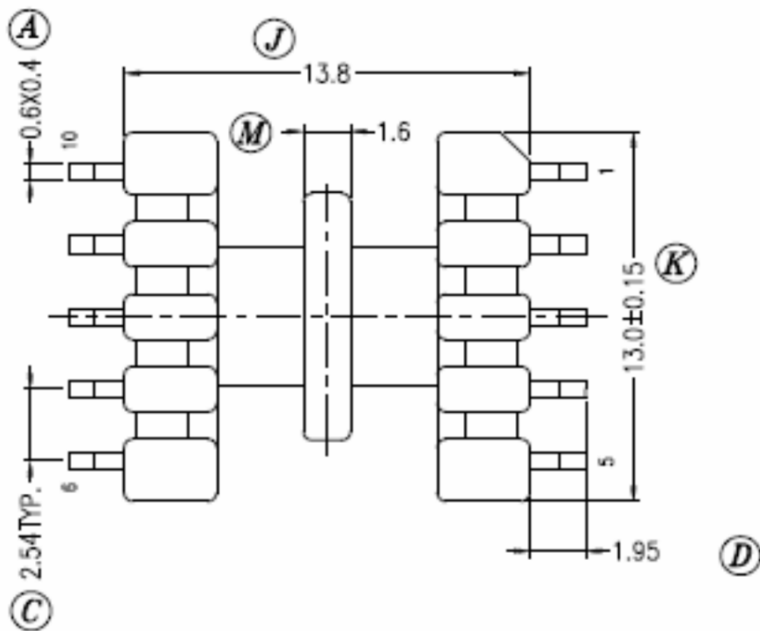
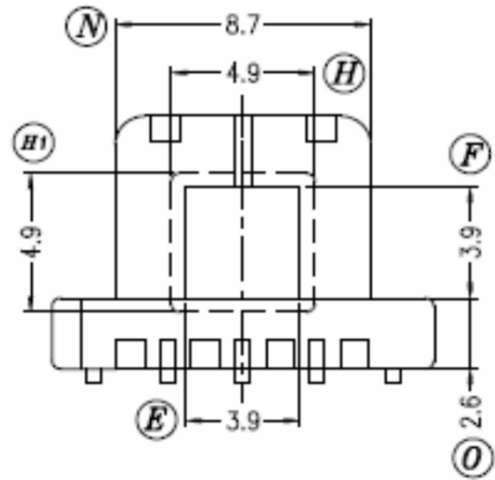
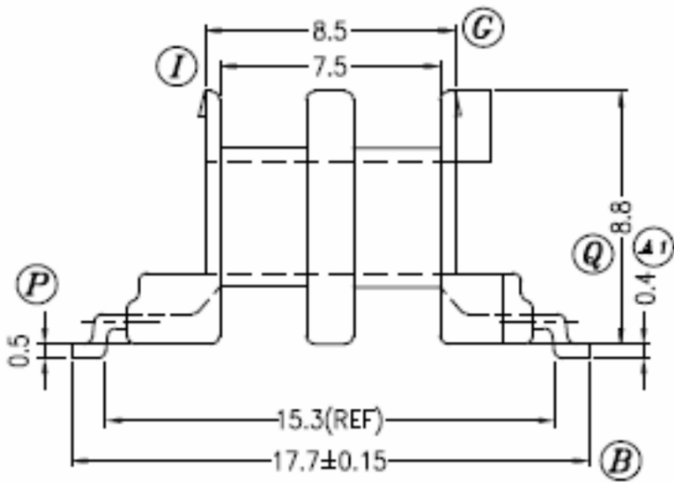


SEC. A-A

Pin Pitch Tol: ± 0.3		Dimensions in mm	
Country of Origin: China	RoHS Certified: YES	Tolerances: 0 < L ≤ 4: ±0.2 4 < L ≤ 16: ± 0.3 16 < L ≤ 63: ±0.4	
Bobbin Material: Phenolic Chang Chun Plastics T355J		Drawing Number: BEF12.6-1110CPH-P-SQ3.5	
UL File: E59481	UL Rec: 94-V0	P-1203-SQ3.5	Pin Material: STEEL WIRE (CP)
MH&W International Corp		Pin Tension: 1.5 Kgm min	Finish: MATTE Sn
		Part Number: BEF12.6-1110CPH-P-SQ3.5	
Phone 201-891-8800 Email: sales@mhw-intl.com			

BEF12.6-1210GADS-P

Revisions			
-	2017/09/21	Initial Issue	gvs

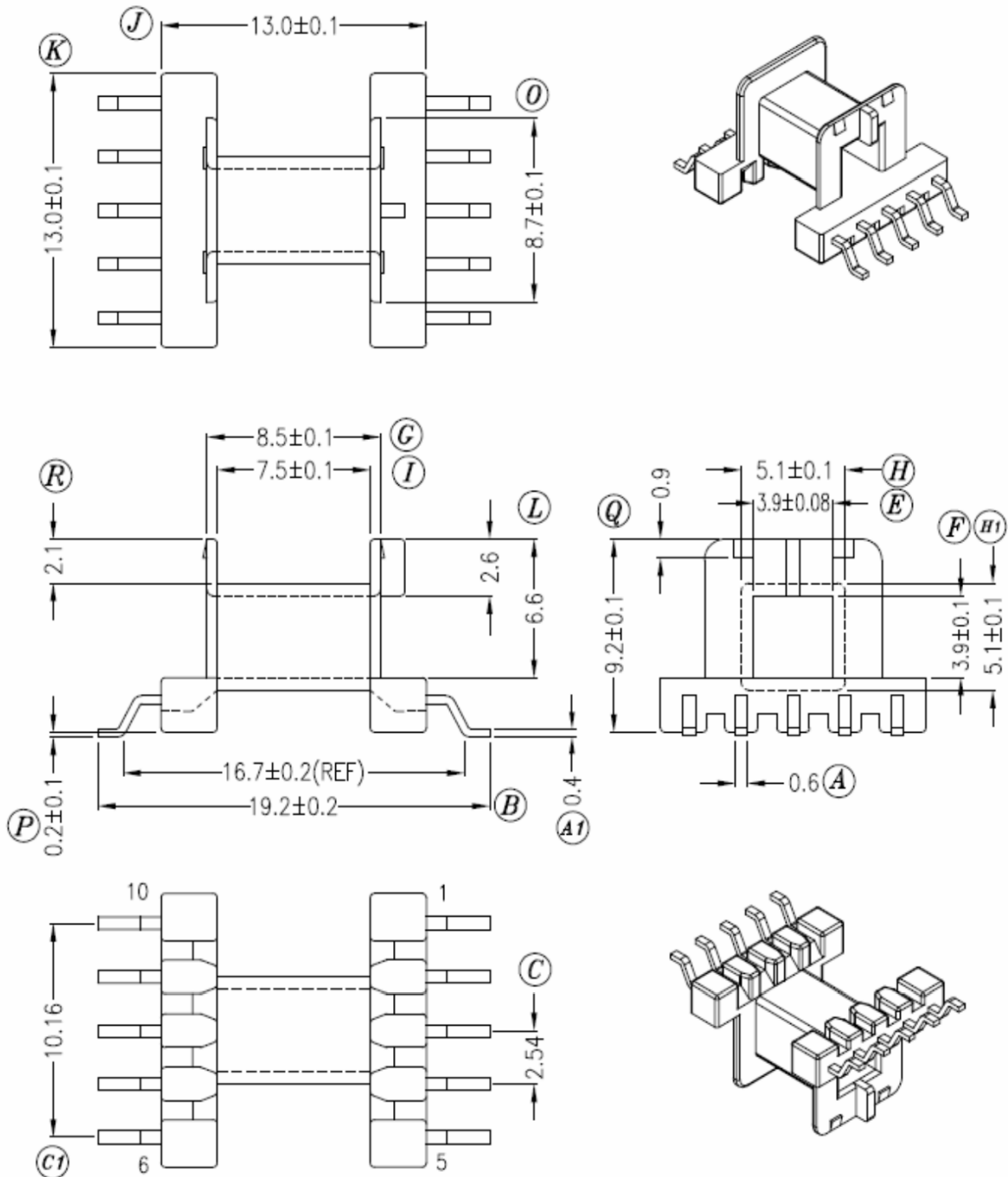


DIMENSION IN MM

Tolerances: 0<L≤4 ±0.2; 4<L≤16 ±0.3; 16<L≤63 ±0.4		Pin Pitch tolerance: ±0.3; Coplanarity 0.3	
Country of Origin: China		RoHS Certified: YES	
Bobbin Material: Sumitomo PM9630		UL Molder Certification: E163831	
UL File: E41429		Drawing Number: BEF12.6-1210GADS-P	
UL Rec: 94-V0		S-1203-1	
Pin Material: PHOSPHOR BRONZE (DS) CuSn ₆		Pin Tension: 1.0Kgm min	
Finish: MATTE Sn		Part Number: BEF12.6-1210GADS-P	
MH&W International Corp Phone 201-891-8800 Email: sales@mhw-intl.com			

BEF12.6-L110GADS-P

Revisions			
-	2016/09/27	Initial Issue	gvs

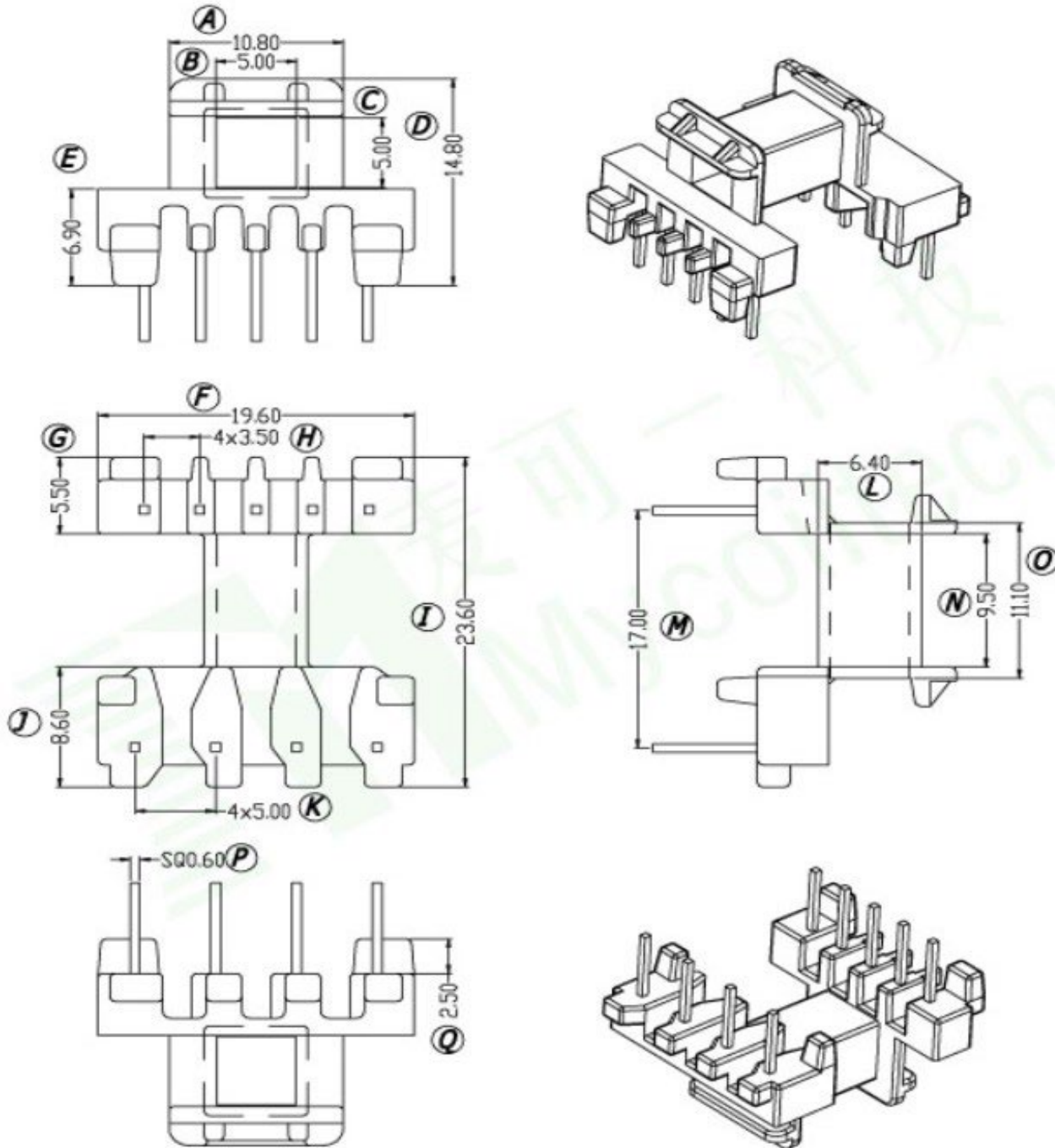


Dimensions in mm

Tolerances: $0 < L \leq 4$: ± 0.2 $4 < L \leq 16$: ± 0.3 $16 < L \leq 63$: ± 0.4		COPLANARITY: 0.2 MAX: Pin Pitch Tol: ± 0.3	
Country of Origin: China		RoHS Certified: YES	
Bobbin Material: LCP SUMITOMO E4008 (k)		UL Molder Certification: E163831	
UL File: E54705		Drawing Number: BEF12.6-L110GADS-P	
UL Rec: 94-V0		S-1204-1	
MH&W International Corp		Pin Material: PHOSPHOR BRONZE (DS) CuSn ₆	
Phone 201-891-8800 Email: sales@mhw-intl.com		Pin Tension: 1.0Kgm min	
		Finish: MATTE Sn	
		Part Number: BEF12.6-L110GADS-P	

BEF16-119CPH-M-SQ4.0

REV	DATE	DESCRIPTION	BY
-	2021/10/29	INITIAL ISSUE	dr

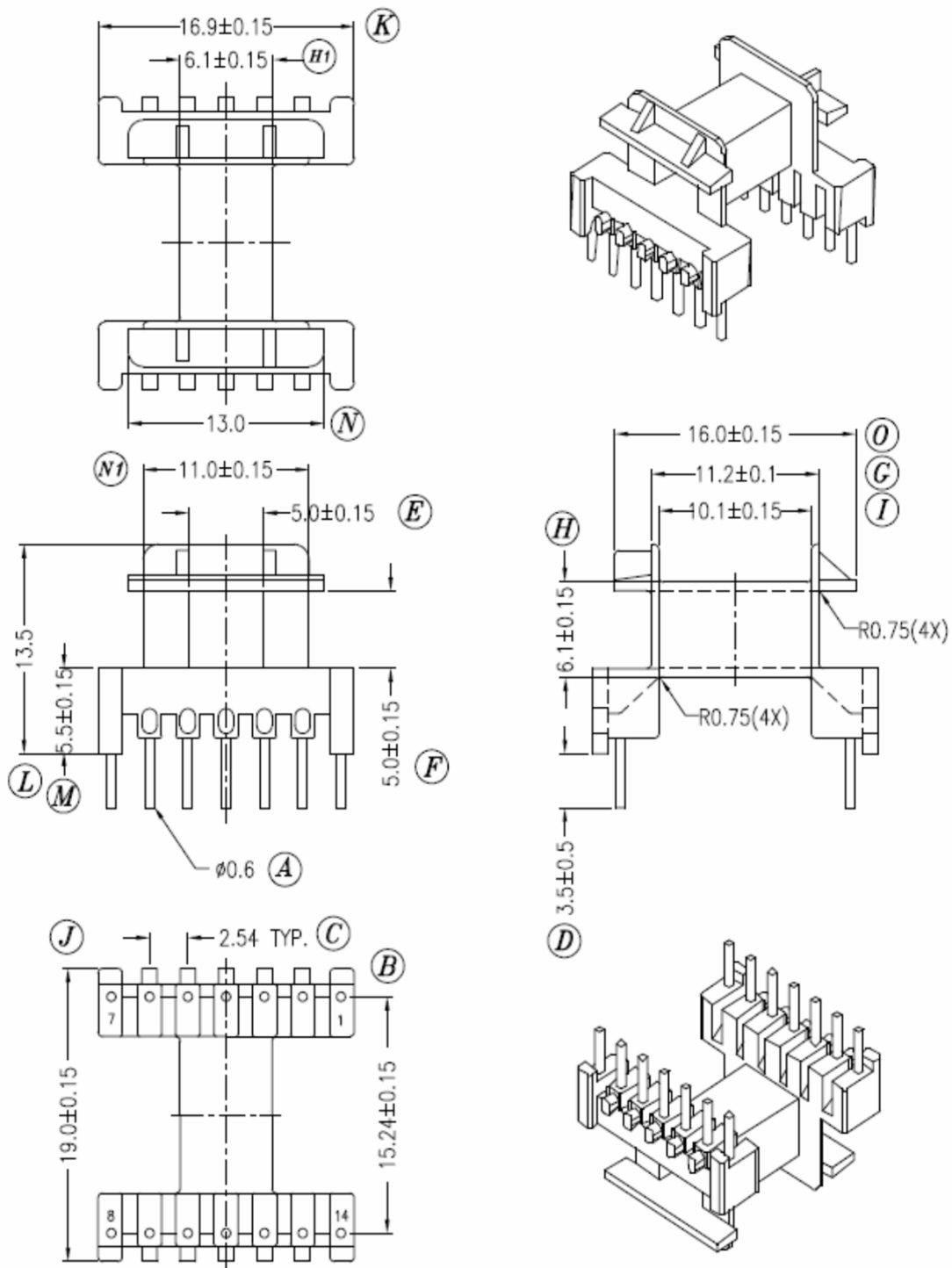


Dimensions in mm

Tolerances: 0<L≤4 ±0.2; 4<L≤16 ±0.3; 16<L≤63 ±0.4		Pin Pitch: ± 0.2	UL Molder Certification:
Country of Origin: China	RoHS Certified: YES	Title: BOBBIN EF-16 HORIZONTAL 4+5P	
Bobbin Material: PHENOLIC		Drawing Number: BEF16-119CPH-M-SQ4.0	
UL File: E41429	UL Rec: 94-V0	MCT-EF1654	Pin Material: CP
MH&W International Corp Phone 201-891-8800 Email: sales@mhw-intl.com		Pin Tension:	Finish: matte Sn
		Part Number: BC 23/11-5110T FR	

BEF16-1114CPH-P-P3.5-9630

Revisions			
-	2016/06/20	Initial Issue	gvs

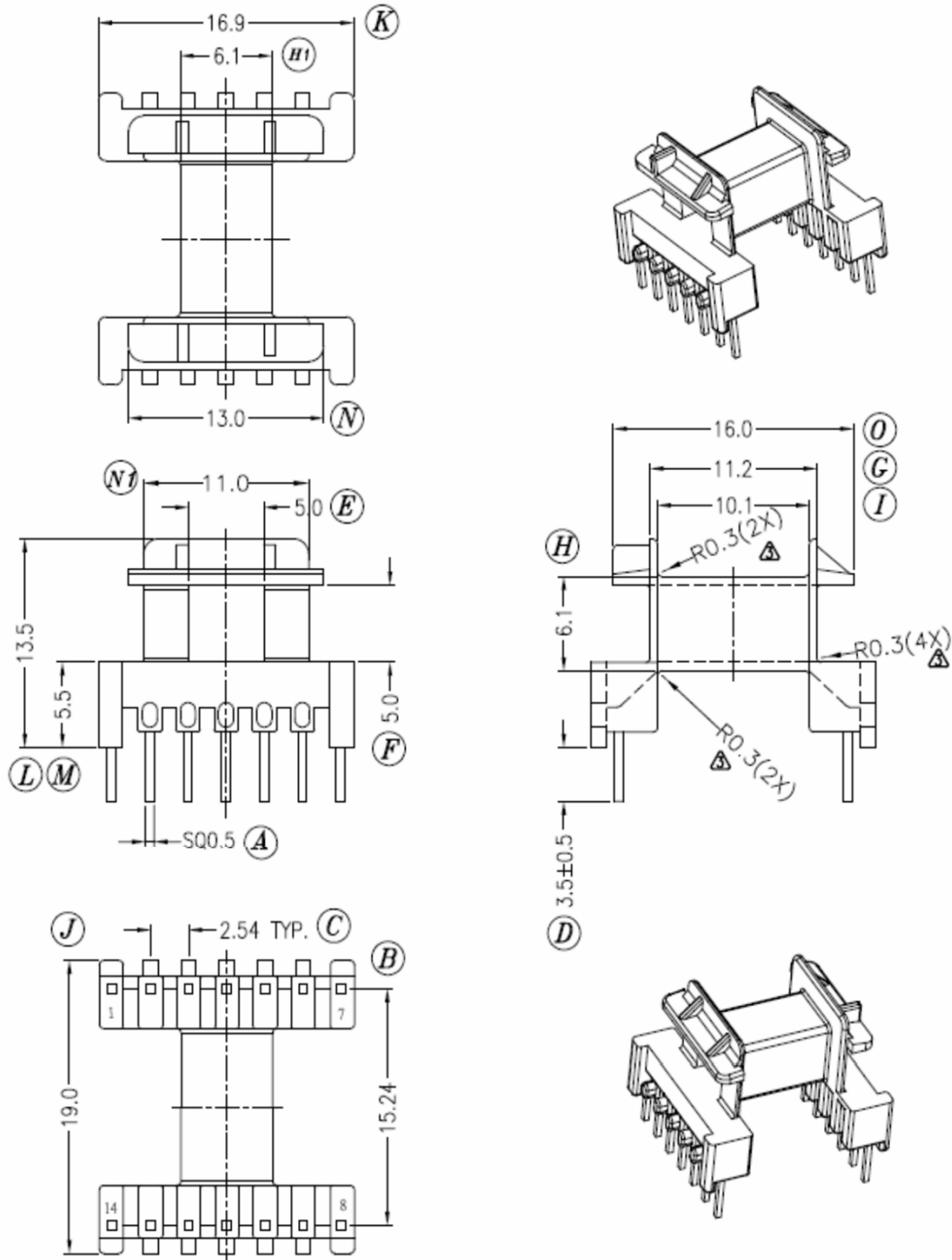


Dimensions in mm

Inventory #: P-1620-2-9630	Pin Pitch ± 0.3 mm	Tolerances: $0 < L \leq 4 \pm 0.2$; $4 < L \leq 16 \pm 0.3$; $16 < L \leq 63 \pm 0.4$	
Country of Origin: China	RoHS Certified: YES	Molder Certification: E163831	
Bobbin Material: Phenolic Sumitomo PM9630		Drawing Number: BEF16-1114CPH-P-P3.5-9630	
UL File: E41429	UL Rec: 94-V0	Pin Material: Steel Wire (CP)	
MH&W International Corp Phone 201-891-8800 Email: sales@mhw-intl.com		Pin Tension: 1.5 Kgm min	Finish: Matte Sn
		Part Number: BEF16-1114CPH-P-P3.5-9630	

BEF16-1114CPH-P-SQ3.5-9630

Revisions			
-	2016/06/20	Initial Issue	gvs

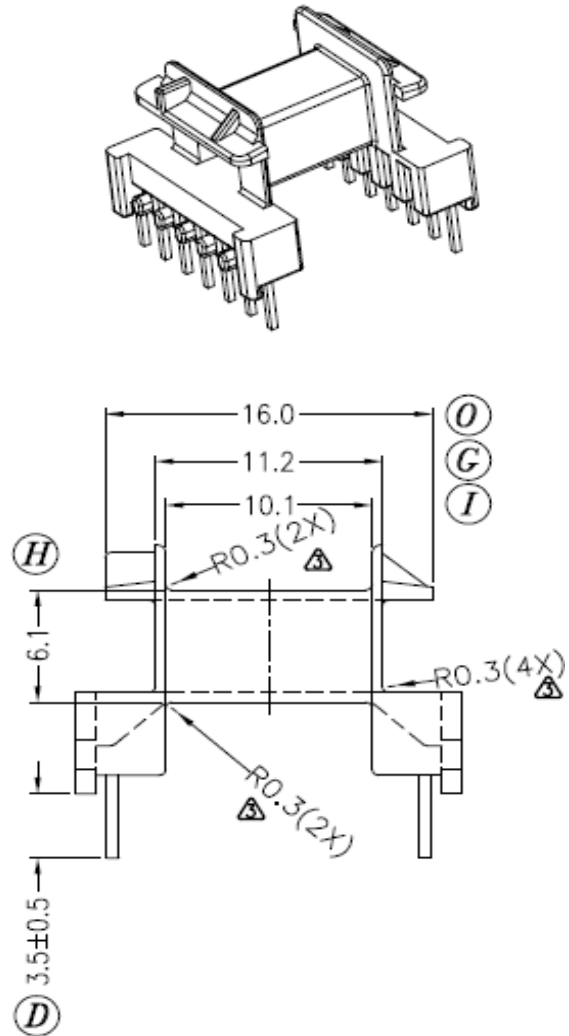
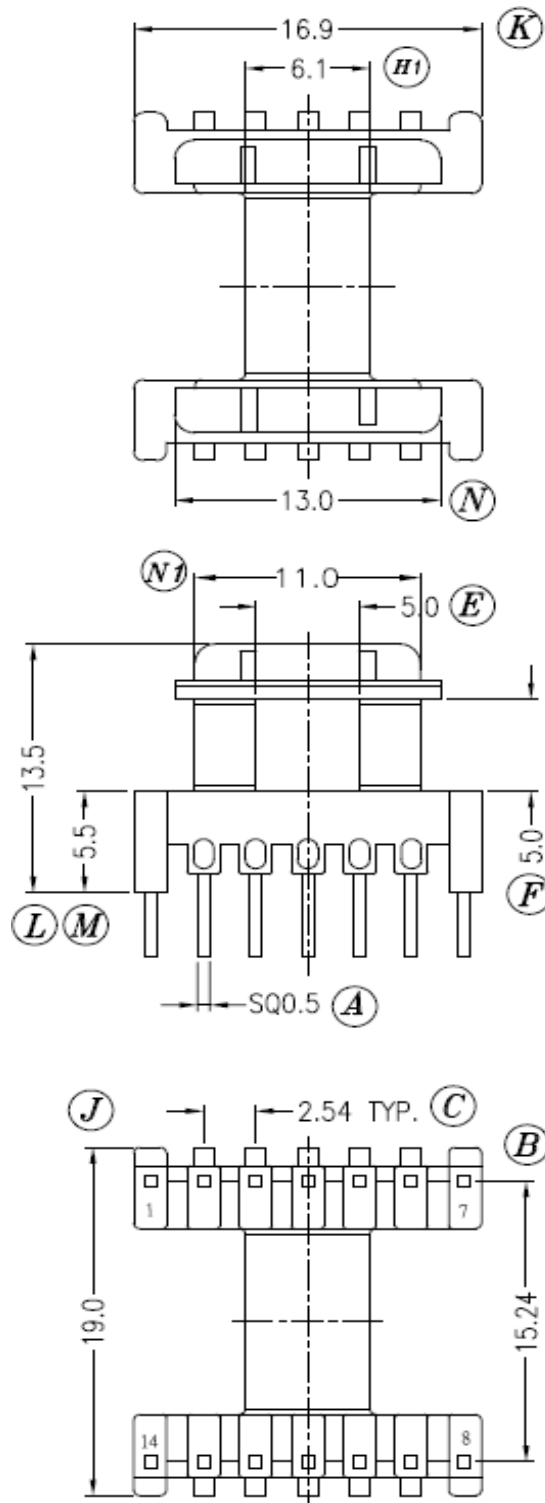


Dimensions in mm

Inventory #: P-1620-9630	Pin Pitch ± 0.3 mm	Tolerances: 0<L≤4 ±0.2; 4<L≤16 ±0.3; 16<L≤63 ±0.4	
Country of Origin: China	RoHS Certified: YES	Molder Certification: E163831	
Bobbin Material: Phenolic Sumitomo PM9630		Drawing Number: BEF16-1114CPH-P-SQ3.5-9630	
UL File: E41429	UL Rec: 94-V0	Pin Material: Steel Wire (CP)	
MH&W International Corp Phone 201-891-8800 Email: sales@mhw-intl.com		Pin Tension: 1.5 Kgm min	Finish: Matte Sn
		Part Number: BEF16-1114CPH-P-SQ3.5-9630	

BEF16-1114CPH-P-SQ3.5-9820

Revisions		
-	2018/04/24	Initial Issue
		dar

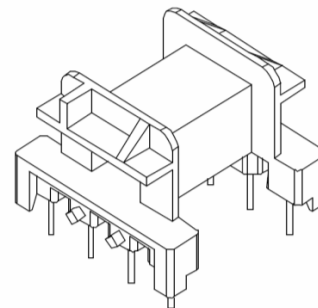
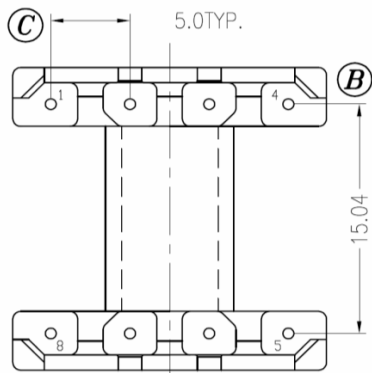
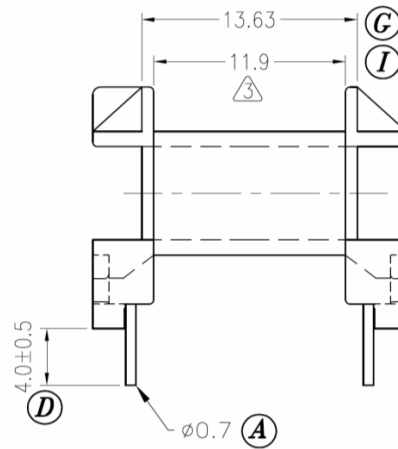
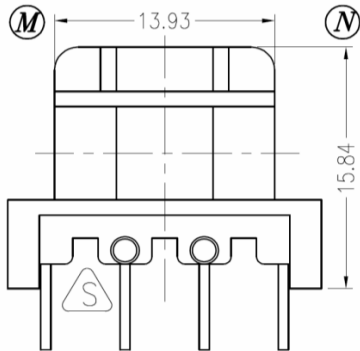
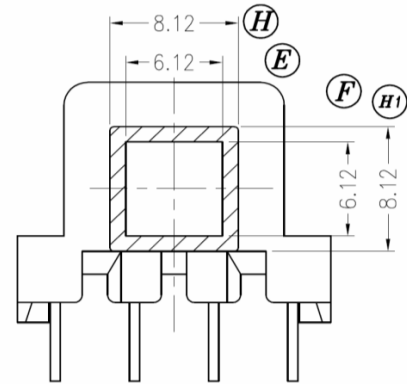
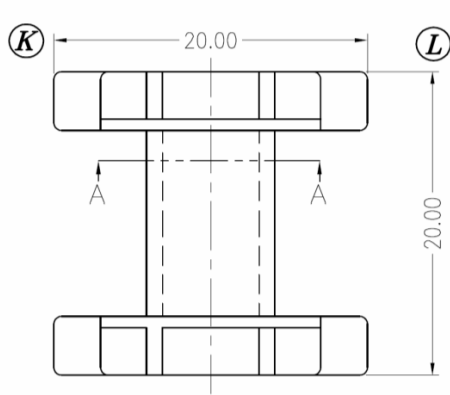


Dimensions in mm

Inventory #: P-1620-9820	Pin Pitch ± 0.3 mm	Tolerances: 0<L≤4 ±0.2; 4<L≤16 ±0.3; 16<L≤63 ±0.4	
Country of Origin: China	RoHS Certified: YES	Molder Certification: E163831	
Bobbin Material: Phenolic Sumitomo PM9820		Drawing Number: BEF16-1114CPH-P-SQ3.5-9820	
UL File: E41429	UL Rec: 94-V0	Pin Material: Steel Wire (CP)	
MH&W International Corp Phone 201-891-8800 Email: sales@mhw-intl.com		Pin Tension: 1.5 Kgm min	Finish: Matte Sn
		Part Number: BEF16-1114CPH-P-SQ3.5-9820	

BEF20-118CPH-P

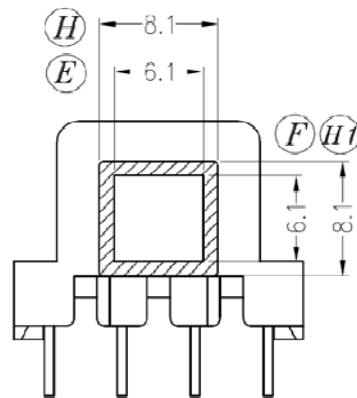
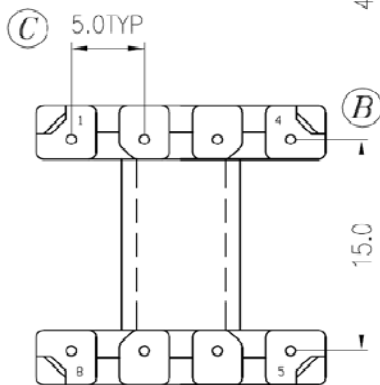
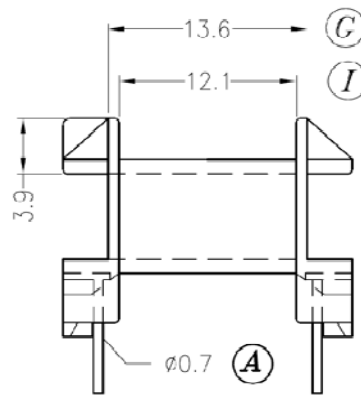
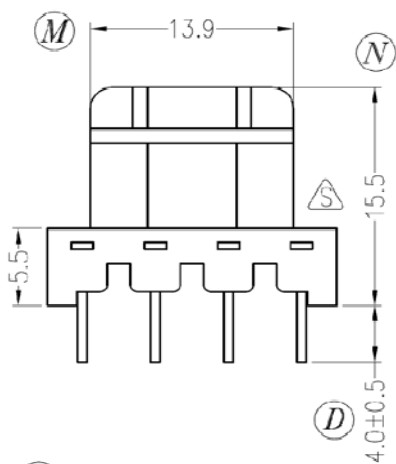
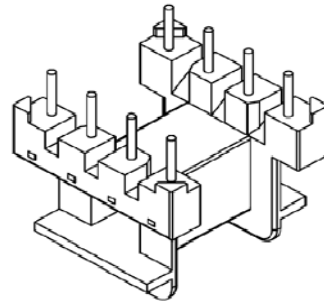
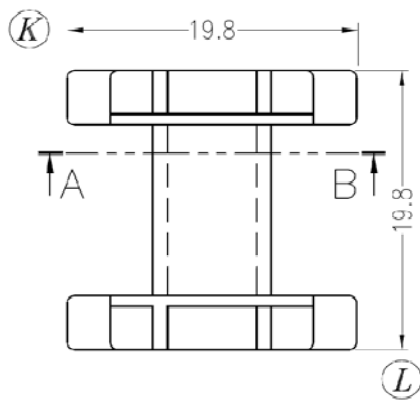
Revisions	



Dimensions in mm

Country of Origin: China	RoHS Certified: YES	UL Molder Certification: E163831
Bobbin Material: Chang Shun Plastics T375J		Drawing Number: BEF20-118CPH-P
UL File: E59481	UL Rec: 94-V0	P-2012
Pin Material: Steel Wire (CP)		Pin Tension: 1.5Kgm min
Finish: TIN		Part Number: BEF20-118CPH-P
MH&W International Corp Phone 201-891-8800 Email: sales@mhw-intl.com		

BEF20-818CPH-P



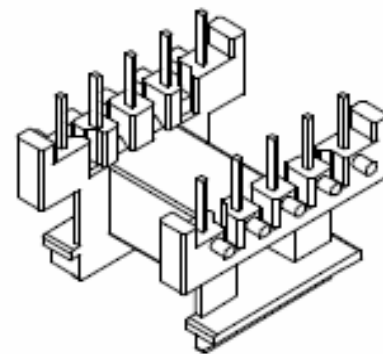
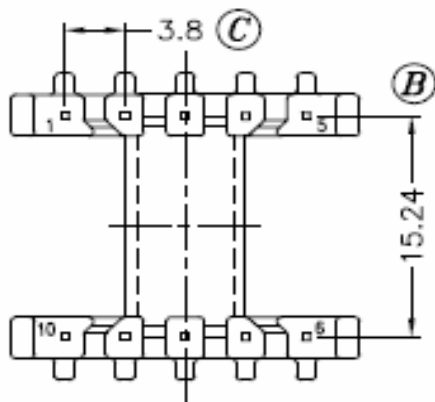
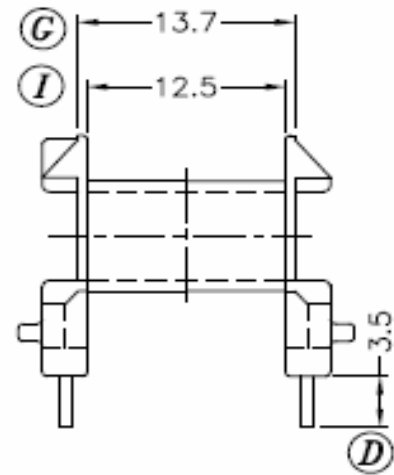
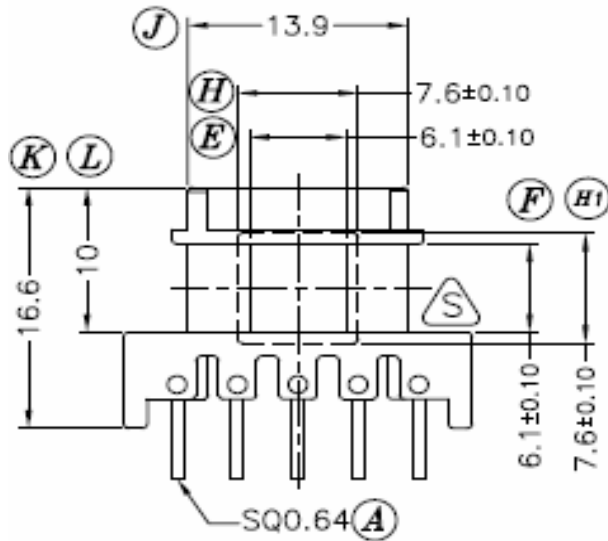
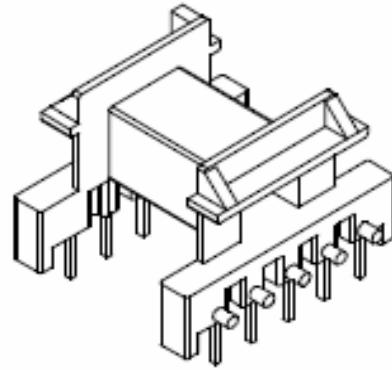
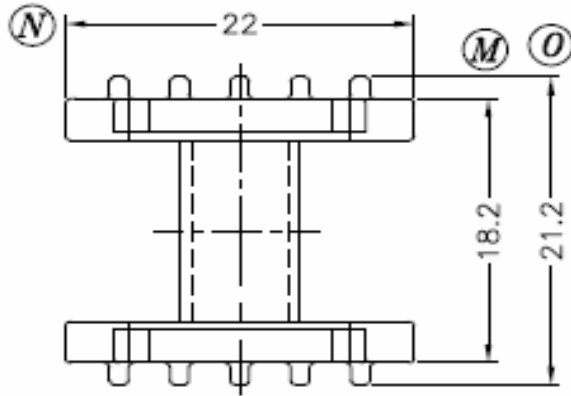
A-B SFC.

Dimensions in mm

Country of Origin: China	RoHS Certified: YES		
Bobbin Material: E.I. Dupont FR503		Drawing Number: BEF20-818CPH-P	
UL File: E41938	UL Rec: 94-V0	P-2005	Pin Material: Steel Wire (CP)
MH&W International Corp		Pin Tension: 1.5Kgm min	Finish: e3 (JEDEC)
Phone 201-891-8800 Email: sales@mhw-intl.com		Part Number: BEF20-818CPH-P	

BEF20-1110CPH-P-SQ3.5

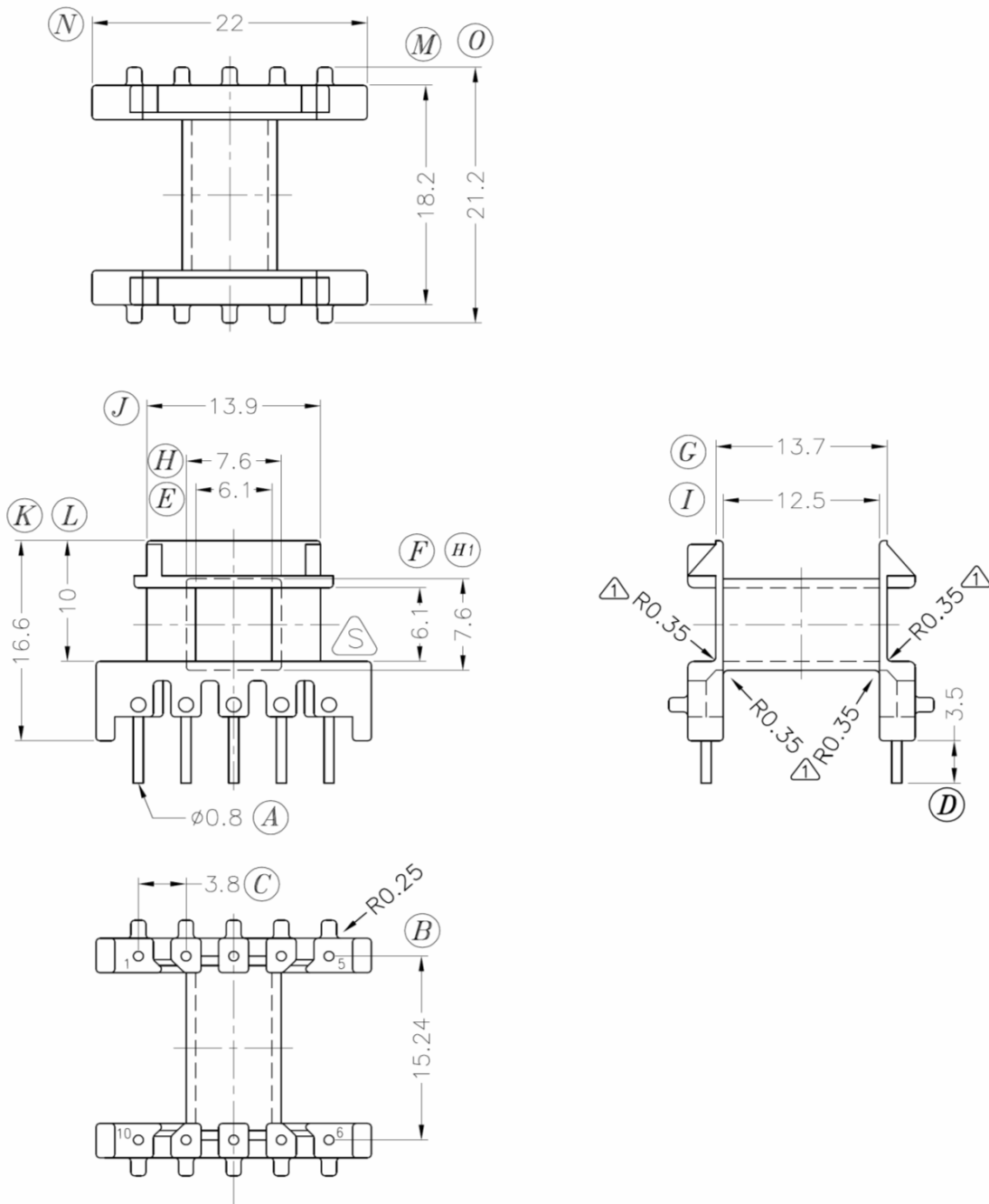
Revisions			
-	2016/08/02	INITIAL ISSUE	gvs
1	2019/08/15	Corrected P/N from BEFD20... to BEF20...	dr



Tolerances: 0<L≤4 ±0.2; 4<L≤16 ±0.3; 16<L≤63 ±0.4		Pin Pitch: ± 0.2	Dimensions in mm
Country of Origin: China	RoHS Certified: YES	UL Molder Certification: E163831	
Bobbin Material: PHENOLIC Sumitomo PM9820		Drawing Number: BEF20-1110CPH-P-SQ3.5	
UL File: E41429	UL Rec: 94-V0	P-2015-1	Pin Material: Steel Wire (CP)
MH&W International Corp Phone 201-891-8800 Email: sales@mhw-intl.com		Pin Tension: 1.5Kgm min	Finish: matte Sn
		Part Number: BEF20-1110CPH-P-SQ3.5	

BEF20-1110CP-P-P3.5

Revisions	

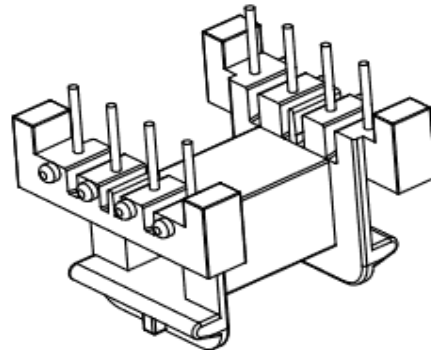
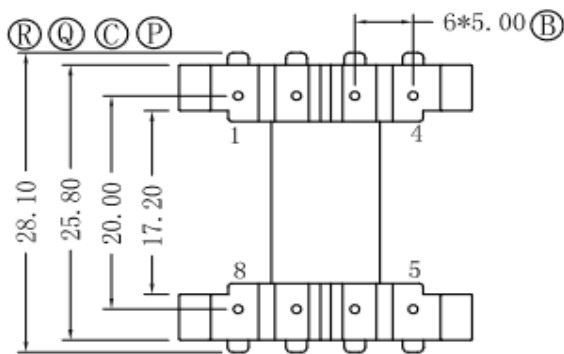
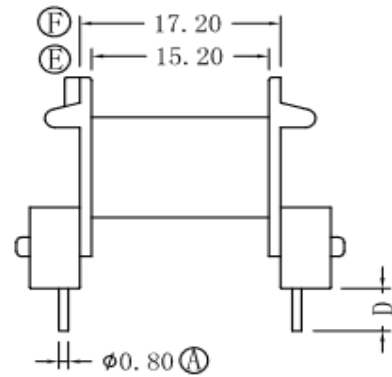
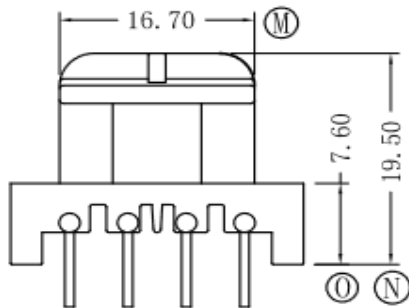
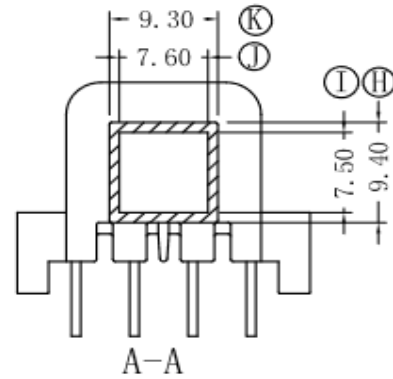
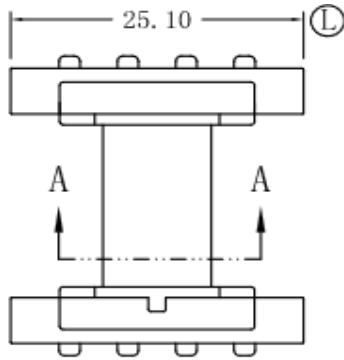


Dimensions in mm

Country of Origin: China	RoHS Certified: YES	UL Molder Certification: E163831
Bobbin Material: Sumitomo PM9820	Drawing Number: BEF20-1110CP-P-P3.5	
UL File: E41429	UL Rec: 94-V0	P-2015-P3.5
Pin Material: Steel Wire (CP)		Pin Tension: 1.5Kgm min
Finish: matte Sn		Part Number: BEF20-1110CP-P-P3.5
MH&W International Corp Phone 201-891-8800 Email: sales@mhw-intl.com		

BEF25-118CPH-MX-P4.0

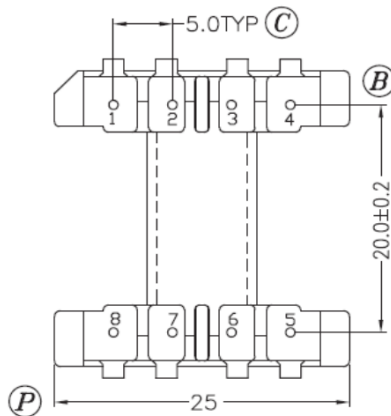
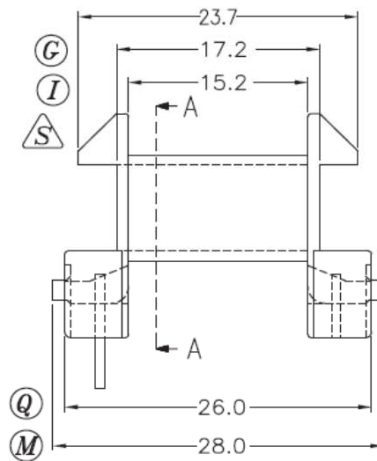
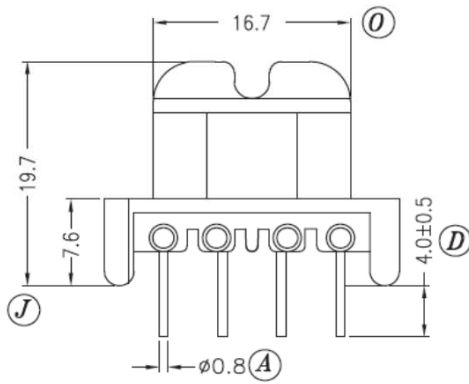
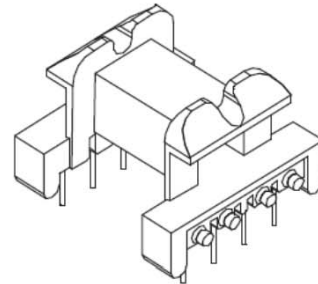
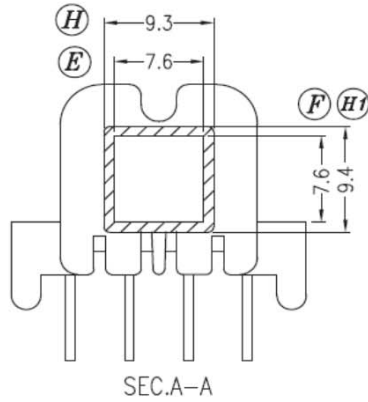
REV	DATE	DESCRIPTION	BY
-	2023/05/12	INITIAL ISSUE	dr



Tolerances: 0<L≤4 ±0.2; 4<L≤16 ±0.3; 16<L≤63 ±0.4		Pin Pitch: ± 0.2	Dimensions in mm
Country of Origin: China	RoHS Certified: YES	Title:	BOBBIN EF-25 HORIZONTAL 8 PIN
UL Molder Certification: E163831			
Bobbin Material: Sumitomo PM9820		Drawing Number: BEF25-118CPH-MX-P4.0	
UL File: E41429	UL Rec: 94-V0	P-801	Pin Material: Steel Wire (CP)
MH&W International Corp Phone 201-891-8800 Email: sales@mhw-intl.com		Pin Tension: 1.5 Kgm min.	Finish: Tin
		Part Number: BEF25-118CPH-MX-P4.0	

BEF25-118CPH-P

Revisions			

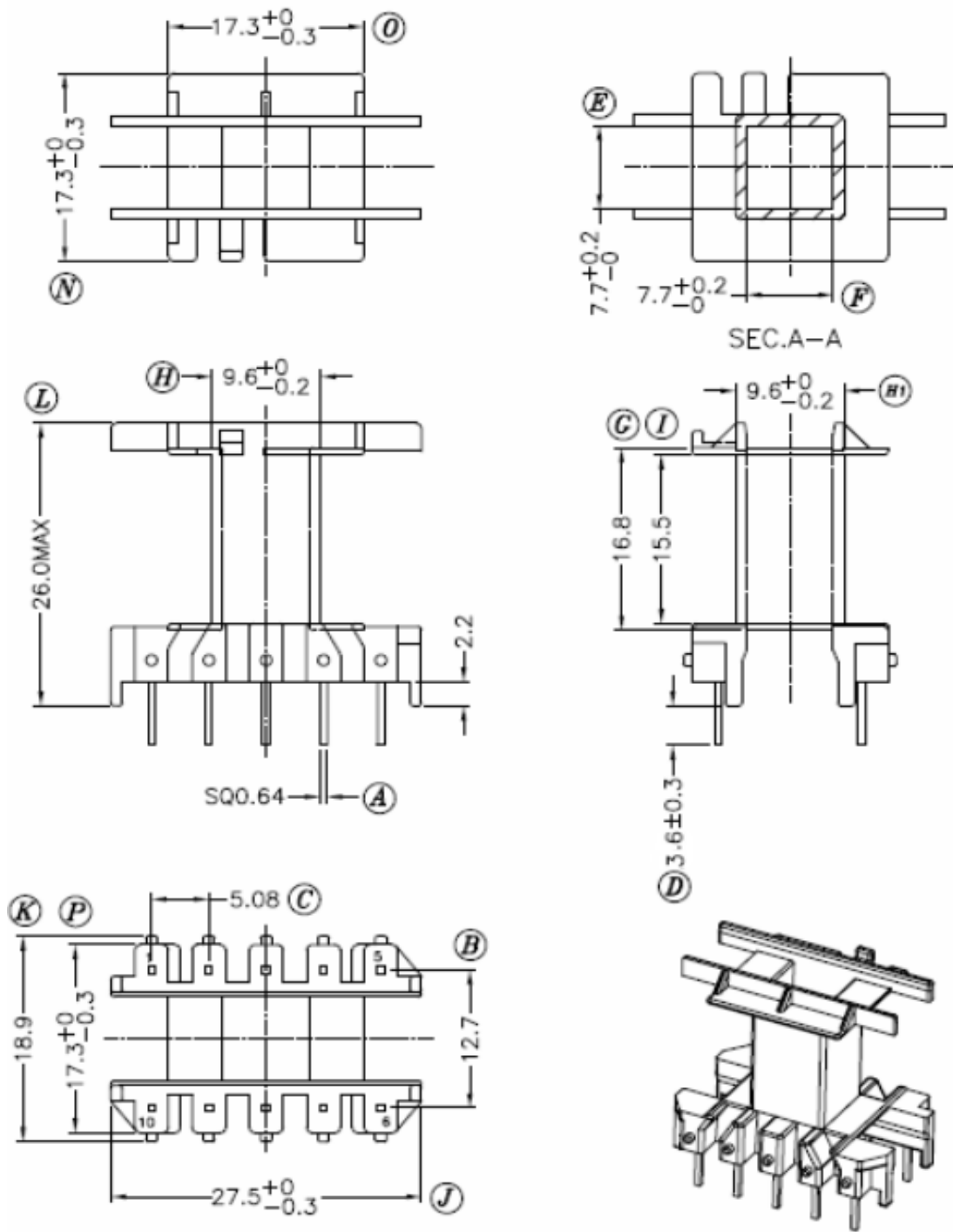


Dimensions in mm

Country of Origin: China	RoHS Certified: YES	UL Molder Certification: E163831
Bobbin Material: Chang Chung Plastics T375J		Drawing Number: BEF25-118HCP-P
UL File: E59481	UL Rec: 94-V0	P-2520
Pin Material: Steel Wire (CP)		Pin Tension: 1.5Kgm min
Finish: Tin		Part Number: BEF25-118CPH-P
MH&W International Corp Phone 201-891-8800 Email: sales@mhw-intl.com		

BEF25-1110CP-P-P3.6

Revisions			
-	2021/01/22	Initial Issue	dr

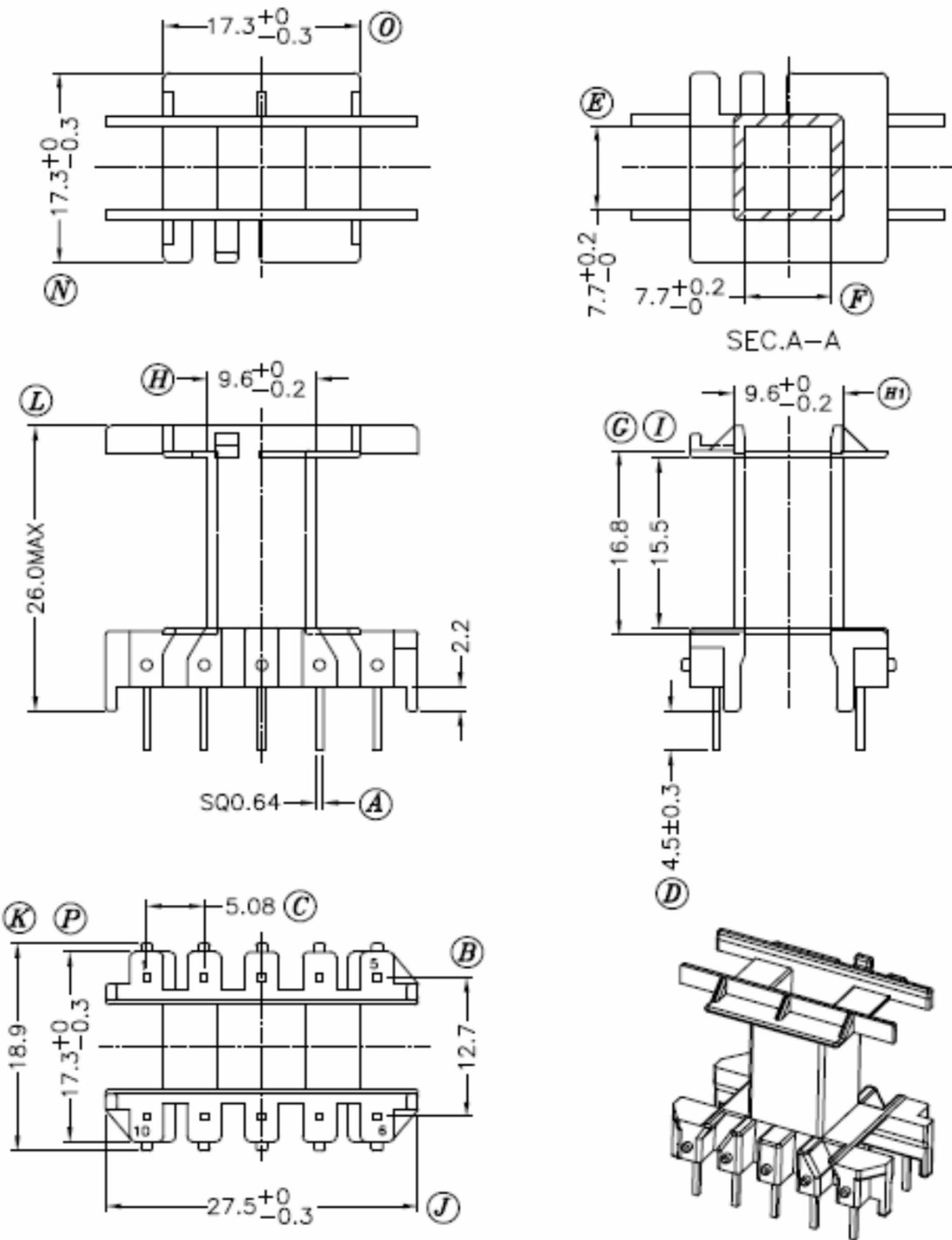


DIMENSION IN MM

Tolerances: $0 < L \leq 4 \pm 0.2$; $4 < L \leq 16 \pm 0.3$; $16 < L \leq 63 \pm 0.4$		Pin Pitch tolerance: ± 0.3	
Country of Origin: China		RoHS Certified: YES	
Bobbin Material: PA66 BASF ULTRAMID A3X2G7		UL Molder Certification: E163831	
UL File: E41429		Drawing Number: BEF25-1110CP-P-P3.6	
UL Rec: 94-V0		Pin Material: STEEL WIRE (CP)	
P-2549-P3.6		Pin Tension: .15Kgm	
MH&W International Corp		Finish: MATTE Sn	
Phone 201-891-8800 Email: sales@mhw-intl.com		Part Number: BEF25-1110CP-P-P3.6	

BEF25-5110CP-P-SQ4.5

Revisions			
-	2017/09/21	Initial Issue	gvs



DIMENSION IN MM

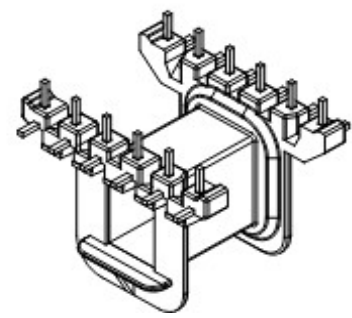
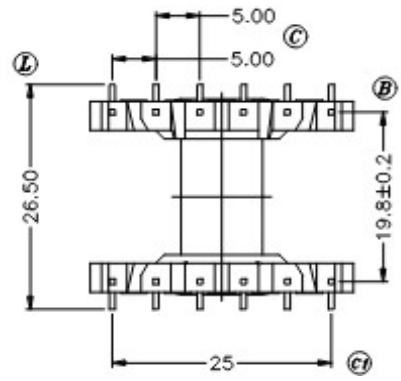
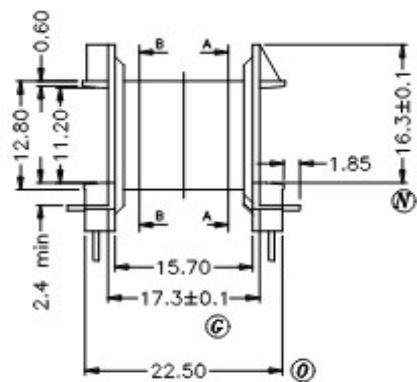
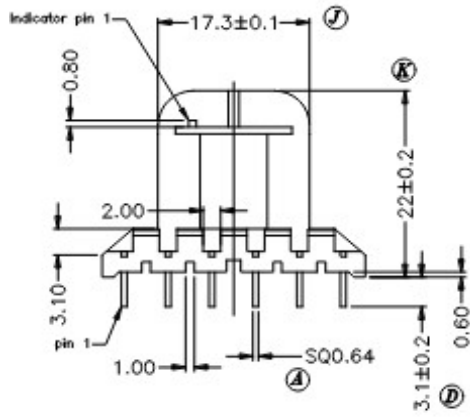
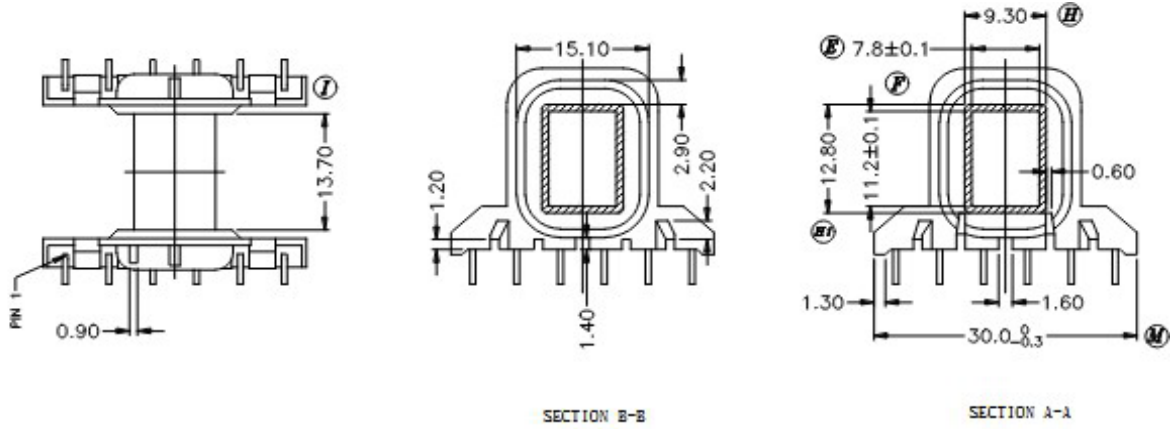
Tolerances: $0 < L \leq 4 \pm 0.2$; $4 < L \leq 16 \pm 0.3$; $16 < L \leq 63 \pm 0.4$		Pin Pitch tolerance: ± 0.3	
Country of Origin: China		RoHS Certified: YES	
Bobbin Material: PA66 BASF ULTRAMID A3X2G7		UL Molder Certification: E163831	
UL File: E41429		Drawing Number: BEF25-5110CP-P-SQ4.5	
UL Rec: 94-V0		P-2549-SQ4.5	
Pin Material: STEEL WIRE (CP)		Pin Tension: .15Kgm	
Finish: MATTE Sn		Part Number: BEF25-5110CP-P-SQ4.5	

MH&W International Corp

Phone 201-891-8800 Email: sales@mhw-intl.com

BEF25-8112LCPH-P-SQ3.1

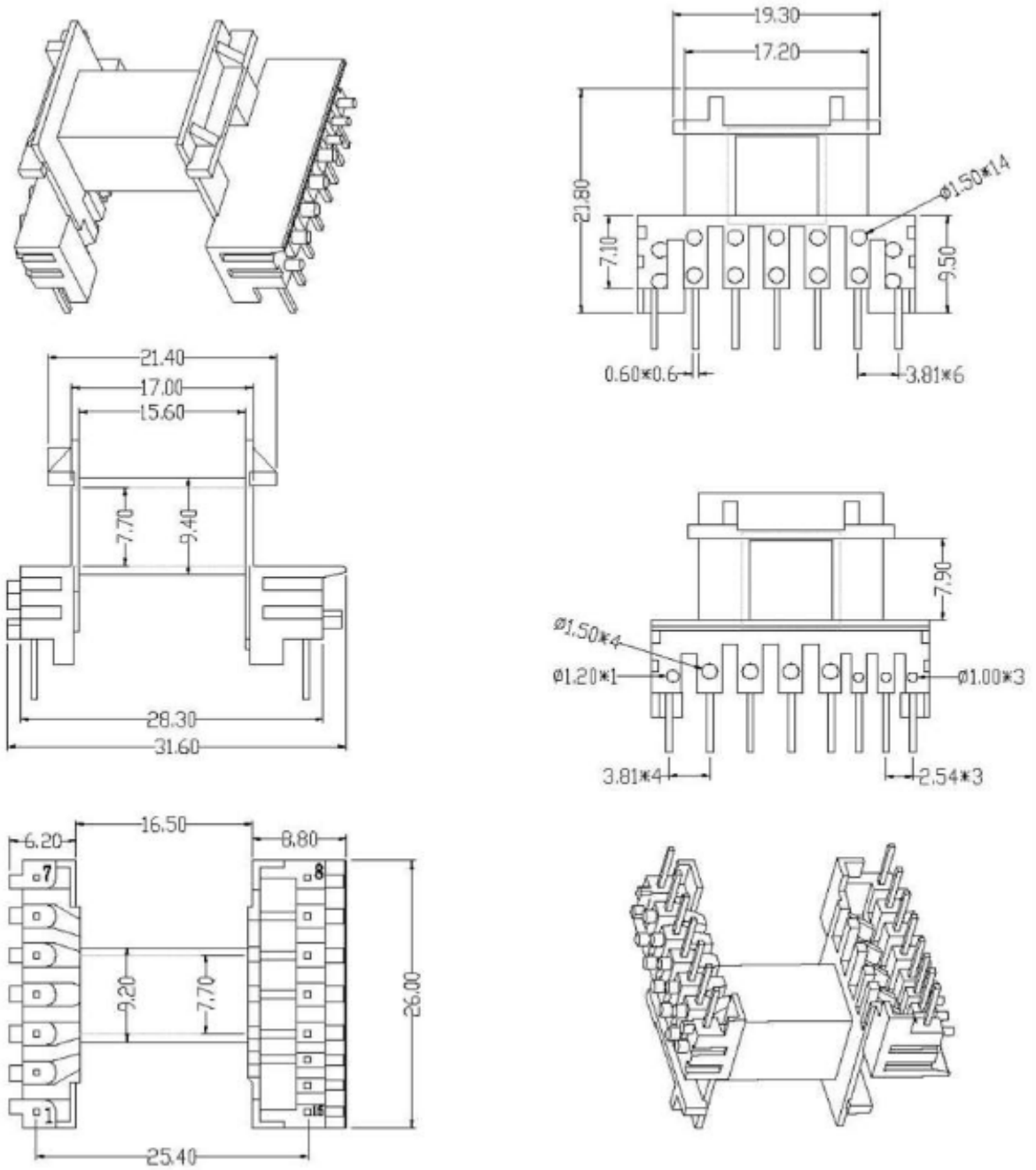
REV	DATE	DESCRIPTION	BY
-	2025/06/18	INITIAL ISSUE	dr



Tolerances: 0<L≤4 ±0.2; 4<L≤16 ±0.3; 16<L≤63 ±0.4		Pin Pitch tolerance: ±0.3	Dimensions in mm
Country of Origin: China	RoHS Certified: YES	Title: BOBBIN EF25/11 12 PIN HORIZONTAL	
UL Molder Certification: E163831		Drawing Number: BEF25-8112LCPH-P-SQ3.1	
Bobbin Material: Nan Ya PET 4410 G6		Pin Material: STEEL WIRE (CP)	
UL File: E130155	UL Rec: 94-V0	P-2567-0 V01 DG	Pin Tension: 1.2Kgm
Finish: MATTE Sn			Part Number: BEF25-8112LCPH-P-SQ3.1
MH&W International Corp Phone 201-891-8800 Email: sales@mhw-intl.com			

BEF25-8115CPH-PM-P4.0

REV	DATE	DESCRIPTION	BY
-	2021/10/26	INITIAL ISSUE	dr

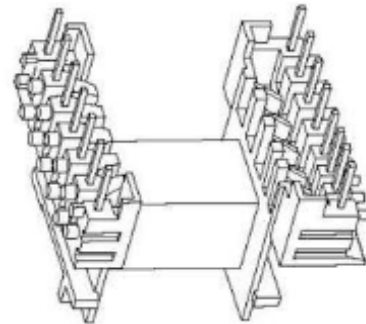
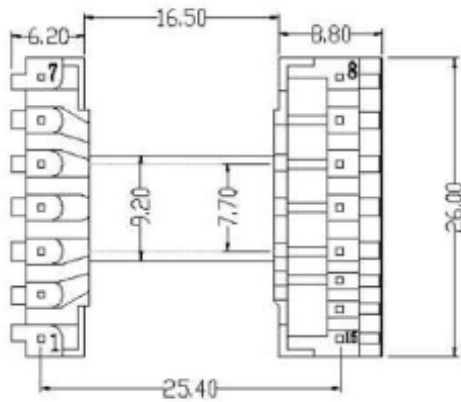
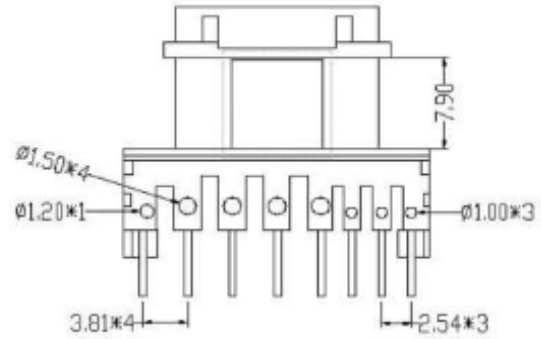
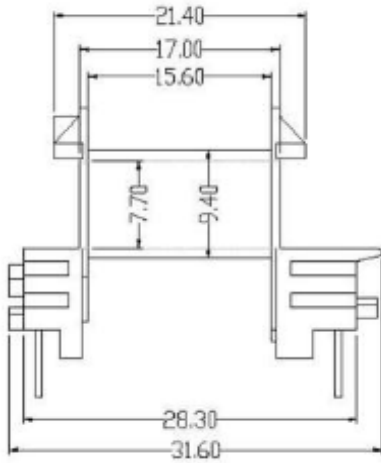
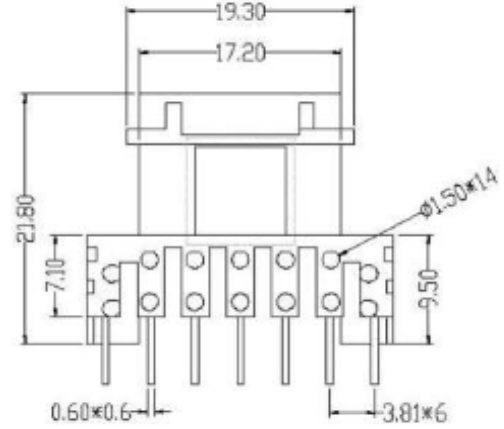
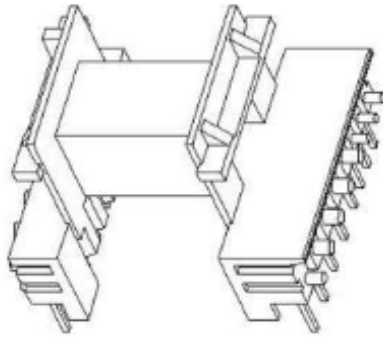


Dimensions in mm

Country of Origin: China	RoHS Certified: YES	UL Molder Certification: E315110
Bobbin Material: Dupont FR530		Drawing Number: BEF25-8115CPH-PM-P4.0
UL File: E41938	UL Rec: 94-V0	P-2528
Pin Material: CP Wire		Pin Tension:
Pin Plating: CuSn		Part Number: BEF25-8115CPH-PM-P4.0
MH&W International Corp Phone 201-891-8800 Email: sales@mhw-intl.com		

BEF25-8115CPH-PM-SQ4.0

REV	DATE	DESCRIPTION	BY
-	2021/10/26	INITIAL ISSUE	dr

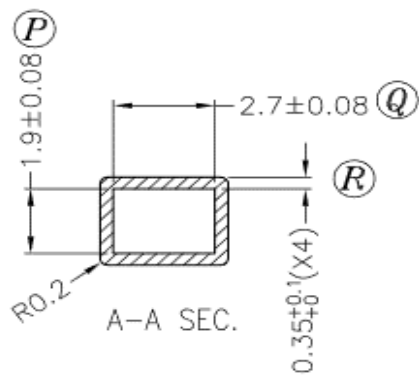
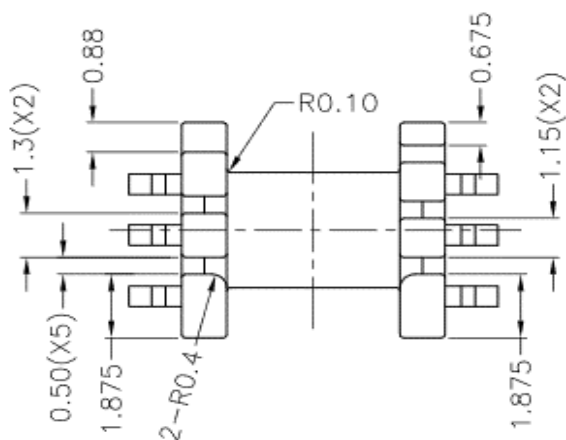
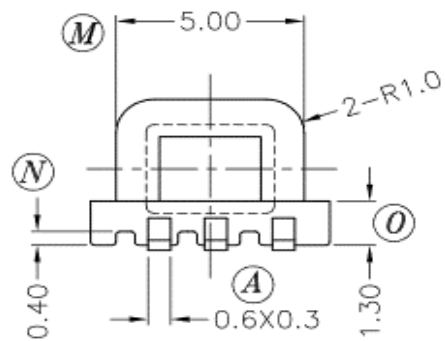
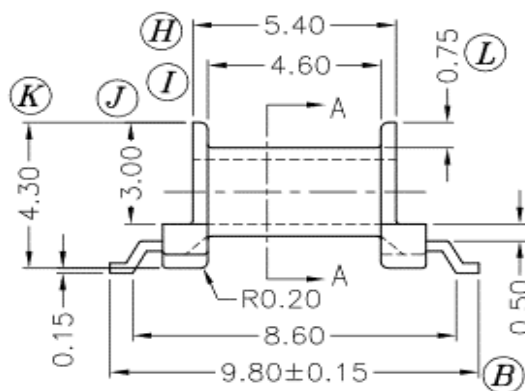
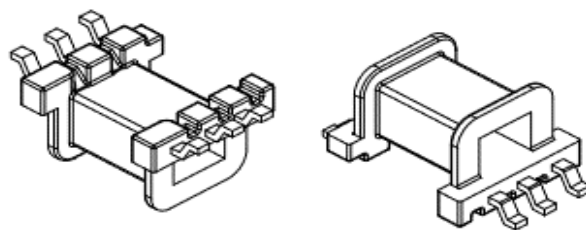
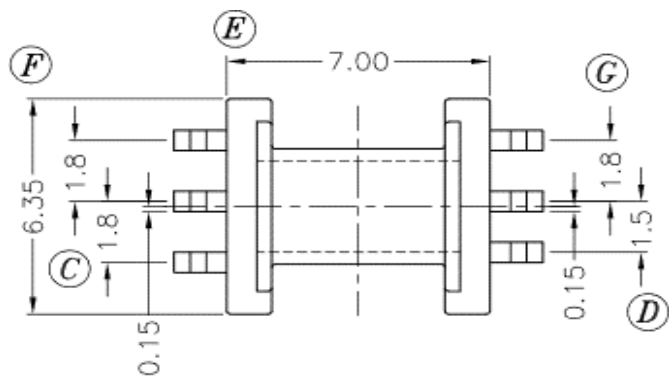


Dimensions in mm

Country of Origin: China	RoHS Certified: YES	UL Molder Certification: E315110
Bobbin Material: Dupont FR530		Drawing Number: BEF25-8115CPH-PM-SQ4.0
UL File: E41938	UL Rec: 94-V0	P-2528
Pin Material: CP Wire		Pin Tension:
Pin Plating: CuSn		Part Number: BEF25-8115CPH-PM-SQ4.0
MH&W International Corp Phone 201-891-8800 Email: sales@mhw-intl.com		

BEFD06.5-L116GADS-P

Revisions			
-	2018/10/29	INITIAL ISSUE	dar



NOTE: UNSPEC. RADII IS R0.1

Dimensions in mm

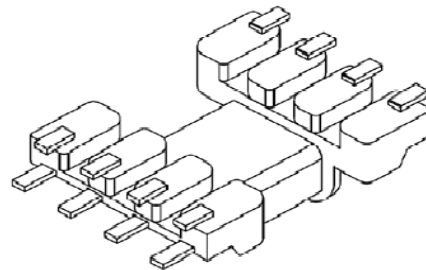
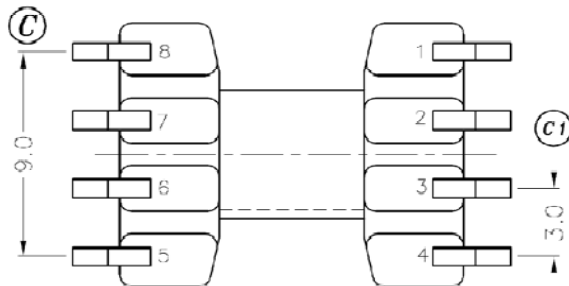
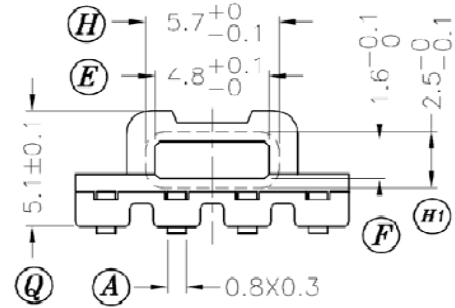
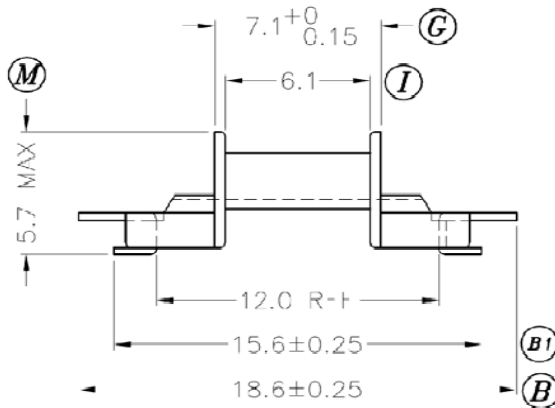
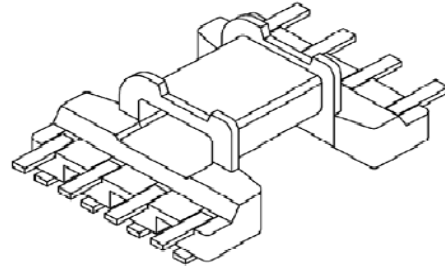
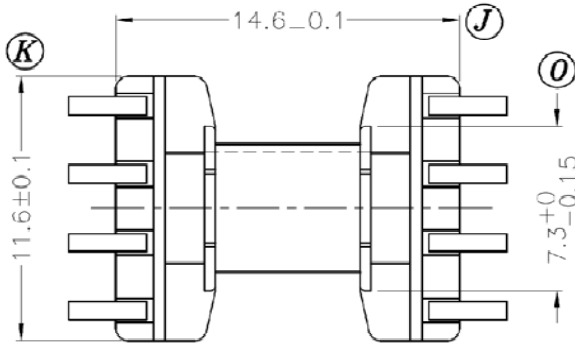
Pin Pitch: ± 0.2		UL Molder Certification: E163831	
Country of Origin: China		RoHS Certified: YES	
Bobbin Material: LCP (BK)		Tolerances: $0 < L \leq 4 \pm 0.2$; $4 < L \leq 16 \pm 0.3$; $16 < L \leq 63 \pm 0.4$	
UL File: E4008		Drawing Number: BEFD06.5-L16GADS-P	
UL Rec: 94-V0		S-608	
Pin Material: PHOSPHOR BRONZE		Pin Tension: 1.0Kgmin	
Finish: matte Sn		Part Number: BEFD06.5-L16GADS-P	

MH&W International Corp

Phone 201-891-8800 Email: sales@mhw-intl.com

BEFD10-118UDS-P

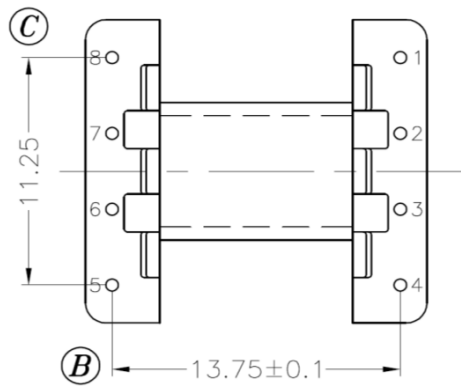
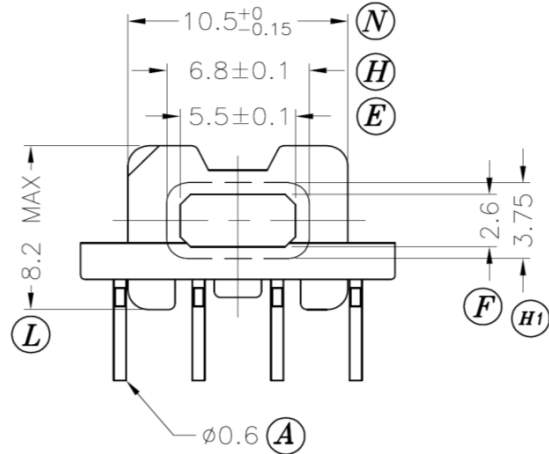
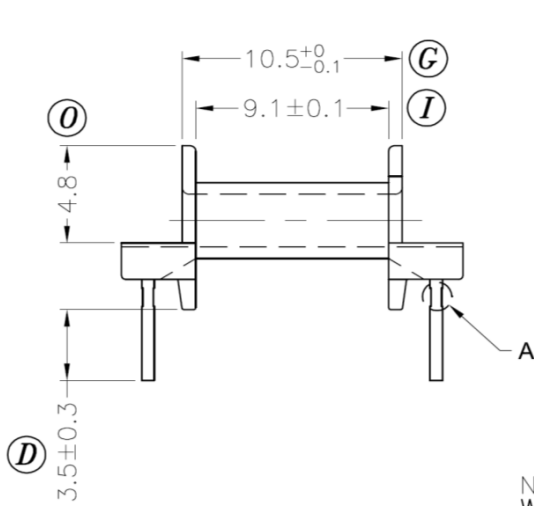
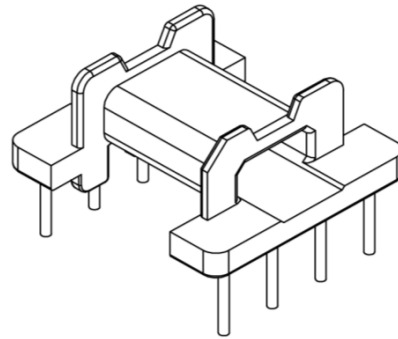
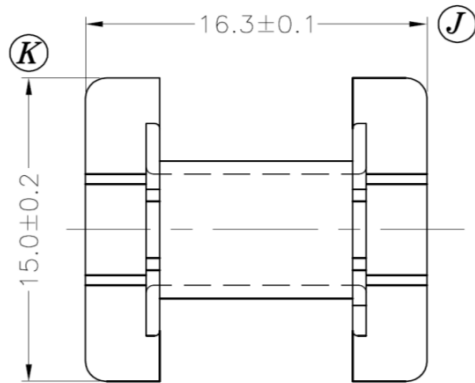
--	--



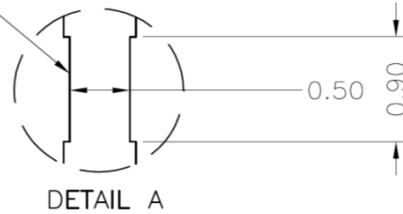
Dimensions in mm

Country of Origin: China		RoHS Certified: YES	
Bobbin Material: Sumitomo PM9630		Drawing Number: BEFD10-118UDS-P	
UL File: E41429	UL Rec: 94-V0	S-1008	Pin Material: Steel Wire (CP)
MH&W International Corp Phone 201-891-8800 Email: sales@mhw-intl.com		Pin Tension: 1.0Kgm min	
		Finish: e2 (JEDEC)	
		Part Number: BEFD10-118UDS-P	

BEFD15-118CPH-P



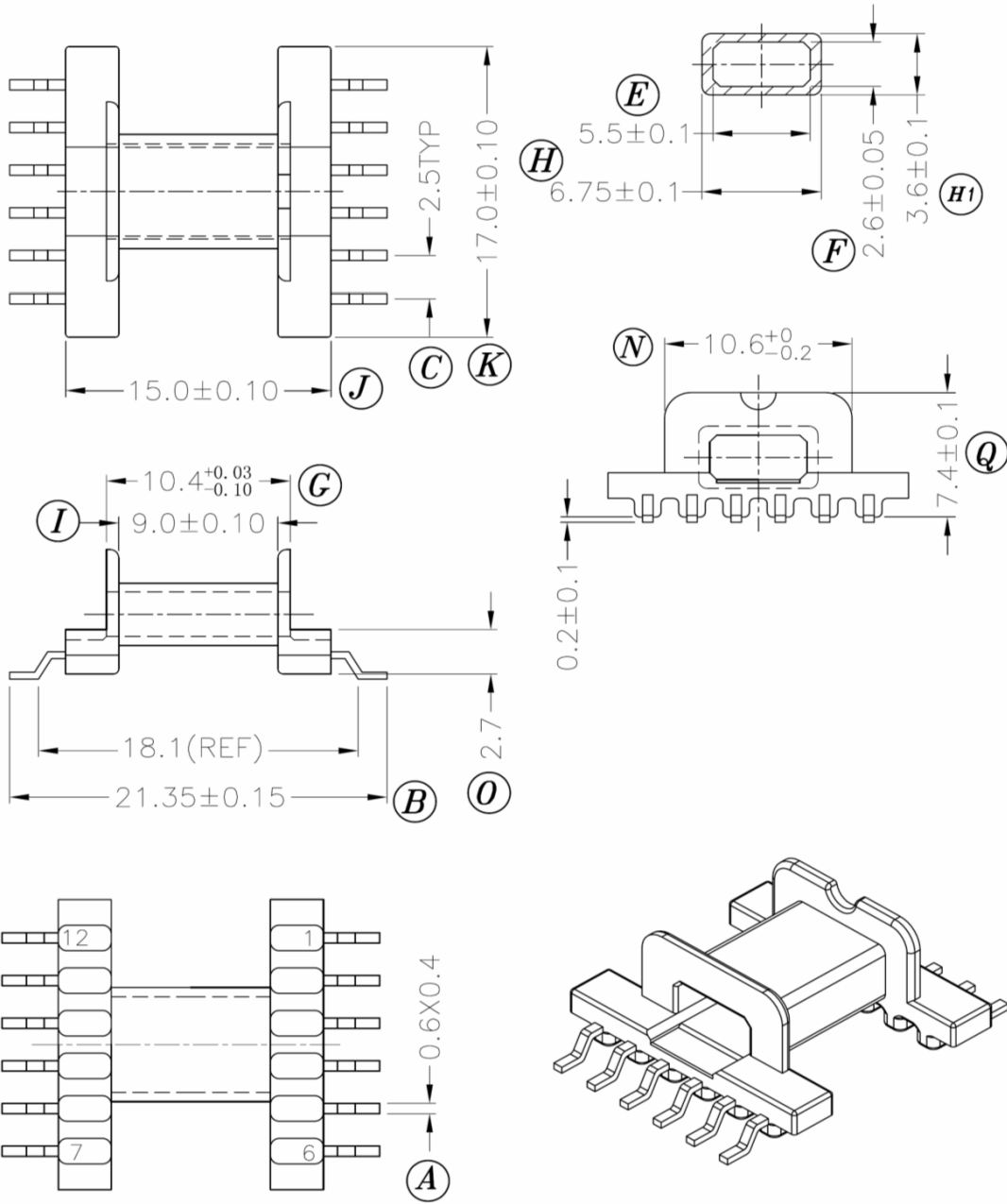
NICK FOR WRAPPING



Dimensions in mm

Country of Origin: China	RoHS Certified: YES	UL Molder Certification: E163831
Bobbin Material: Sumitomo PM9630	Drawing Number: BEFD15-118CPH-P	
UL File: E41429	UL Rec: 94-V0	P-1505
MH&W International Corp		Pin Tension: 0.9Kgm min
Phone 201-891-8800 Email: sales@mhw-intl.com		Finish: Tin
Part Number: BEFD15-118CPH-P		

BEFD15-1112GADS-P

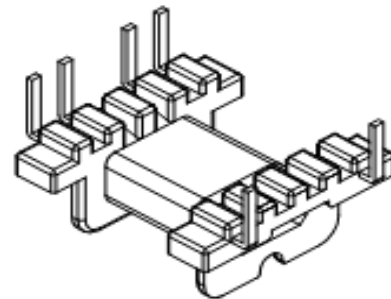
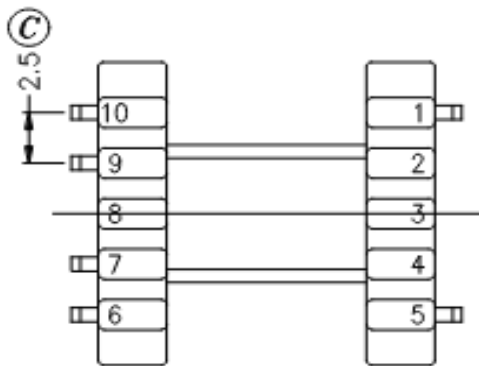
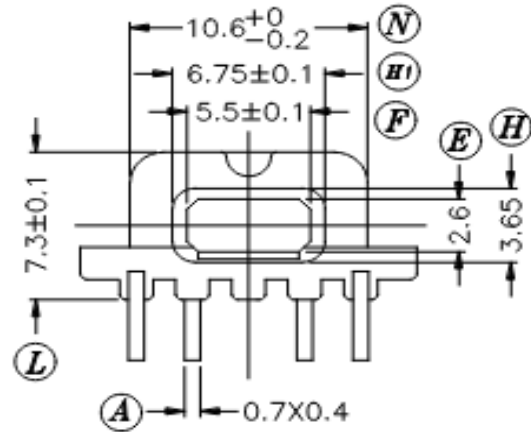
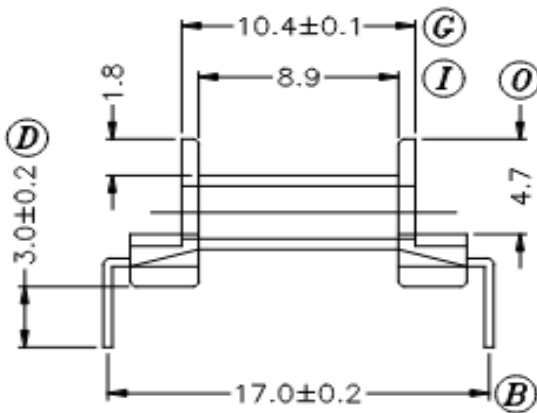
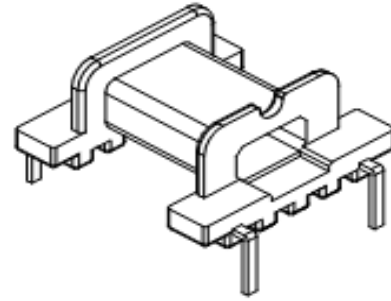
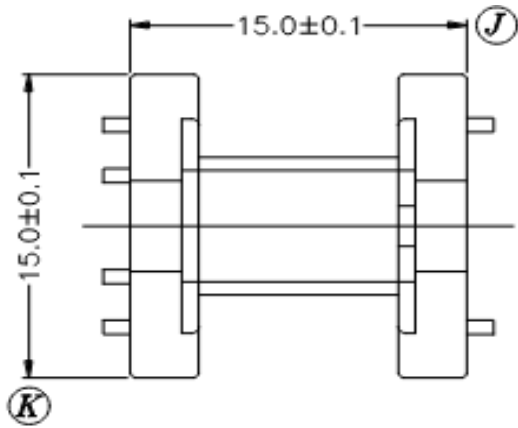


Dimensions in mm

Country of Origin: China	RoHS Certified: YES	UL Molder Certification: E163831
Bobbin Material: Sumitomo PM9630	Drawing Number: BEFD15-1112GADS-P	
UL File: E41429	UL Rec: 94-V0	S-1502
Pin Material: PHOSPHOR BRONZE (DS) CuSn ₆		Pin Tension: 1.0Kgm min
Finish: MATTE Sn		Part Number: BEFD15-1112GADS-P
MH&W International Corp Phone 201-891-8800 Email: sales@mhw-intl.com		

BEFD15-L16DS-P-P3.0

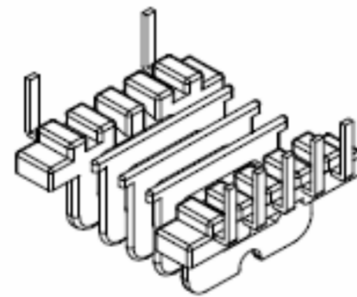
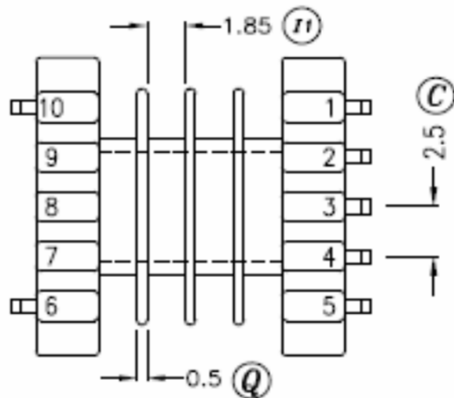
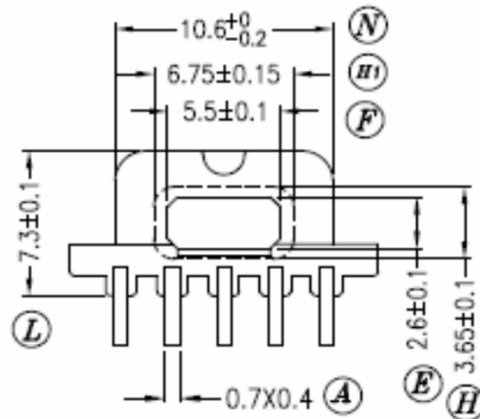
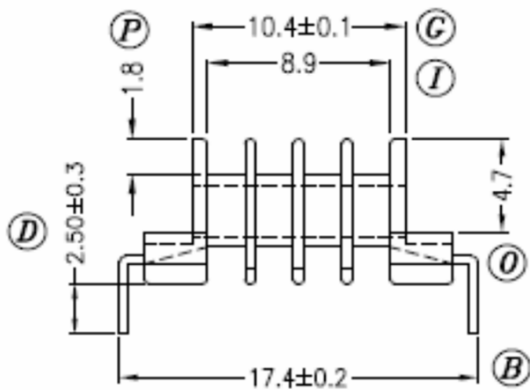
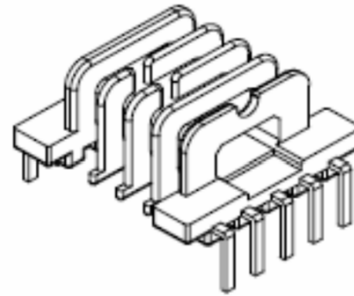
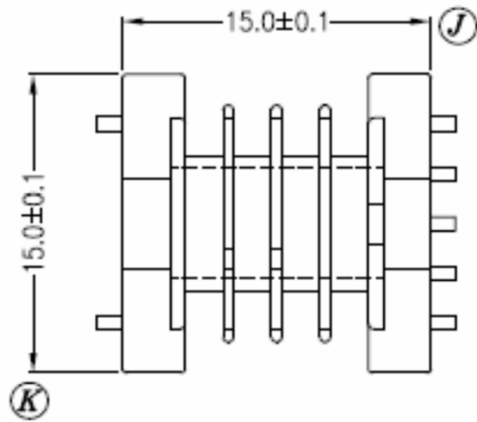
REV	DATE	DESCRIPTION	BY
-	2025/12/11	INITIAL ISSUE	dr



Tolerances: 0<Ls4 ±0.2; 4<Ls16 ±0.3; 16<Ls63 ±0.4	Pin Pitch: ±0.2	Dimensions in mm
Country of Origin: China	RoHS Certified: YES	Title: BOBBIN EFD15 6 PIN L TYPE
UL Molder Certification: E163831		Drawing Number: BEFD15-L16DS-P-P3.0
Bobbin Material: Sumitomo E4008 LCP		Pin Material: Phosphor Bronze
UL File: E54705	UL Rec: 94-V0	P-1506-3
		Finish: Matte Sn
MH&W International Corp		Pin Tension: 1.5 Kg min
Phone 201-891-8800 Email: sales@mhwi-intl.com		Part Number: BEFD15-L16DS-P-P3.0

BEFD15-L47DS-P-SQ2.5-P5X2

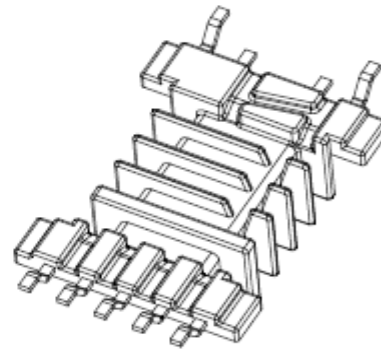
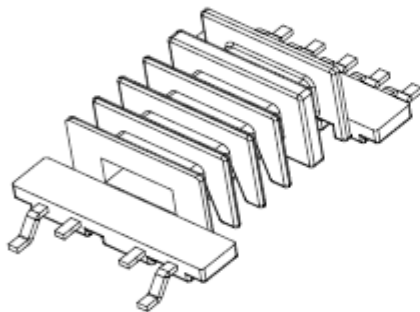
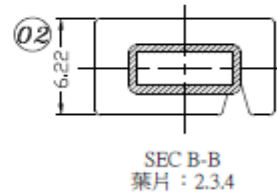
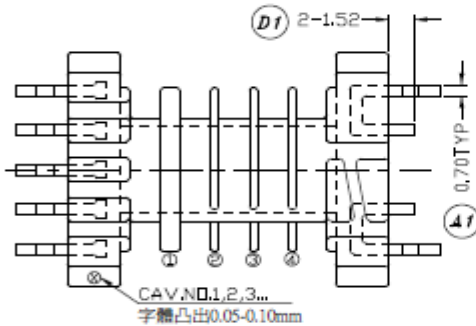
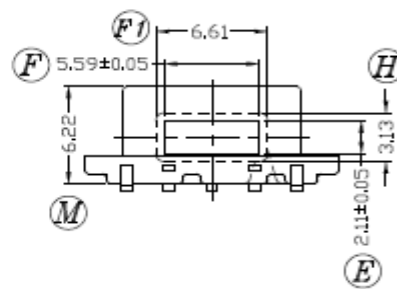
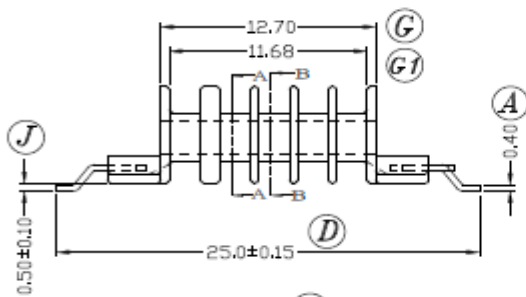
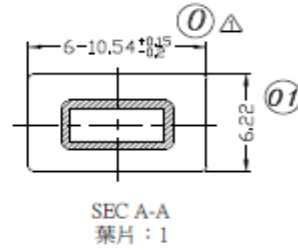
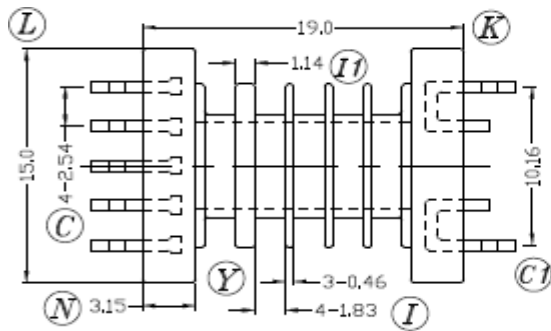
Revisions			
-	2017/09/21	Initial Issue	gvs



Inventory Number: P-1507-1-SQ2.5		Dimensions in mm	
Tolerances: $0 < L \leq 4 \pm 0.2$; $4 < L \leq 16 \pm 0.3$; $16 < L \leq 63 \pm 0.4$		Pin Pitch tolerance: ± 0.3	
Country of Origin: China	RoHS Certified: YES	UL Molder Certification: E163831	
Bobbin Material: LCP Sumitomo E4008 (k)		Drawing Number: BEFD15-L47DS-P-SQ2.5-P5X2	
UL File: E54705	UL Rec: 94-V0	Pin Material: Phospher Bronze (DS)	
MH&W International Corp Phone 201-891-8800 Email: sales@mhw-intl.com		Pin Tension: 1.0 Kgm min	Finish: MATTE Sn
		Part Number: BEFD15-L47DS-P-SQ2.5-P5X2	

BEFD15-L57GADS-P

REV	DATE	DESCRIPTION	BY
-	2022/06/06	INITIAL ISSUE	dar

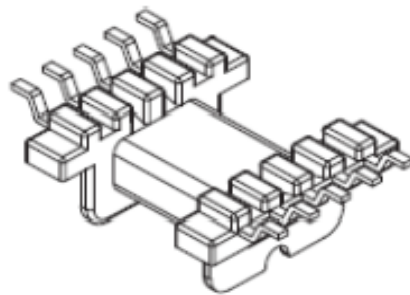
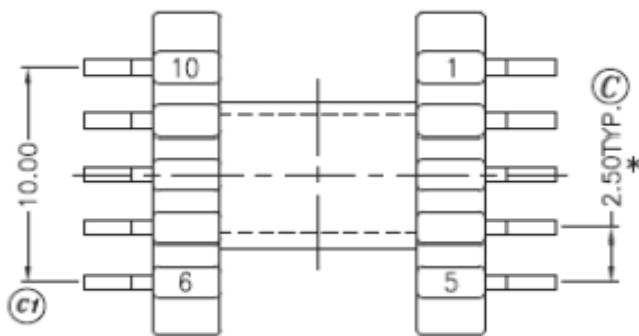
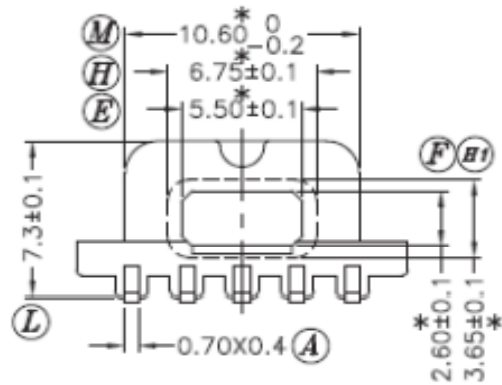
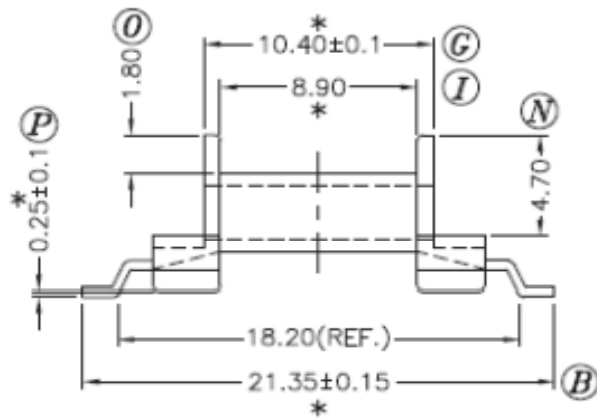
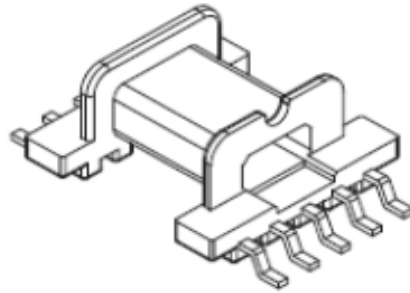
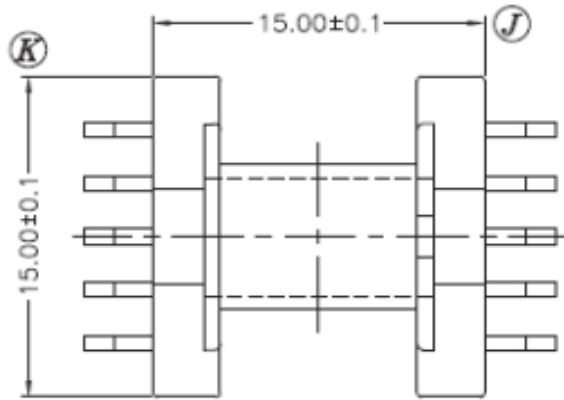


Dimensions in mm

Pin Pitch: ± 0.2		UL Molder Certification: E163831	
Country of Origin: China	RoHS Certified: YES	Tolerances: $0 < L \leq 4 \pm 0.2$; $4 < L \leq 16 \pm 0.3$; $16 < L \leq 63 \pm 0.4$	
Bobbin Material: LCP SUMITOMO E4008		Drawing Number: BEFD15-L57GADS-P	
UL File: E54705	UL Rec: 94-V0	S-1519	Pin Material: PHOSPHOR BRONZE
MH&W International Corp		Pin Tension: 1.5 Kgm min	Finish: matte Matte Sn
Phone 201-891-8800 Email: sales@mhw-intl.com		Part Number: BEFD15-L57GADS-P	

BEFD15-L110GADS-P

--	--

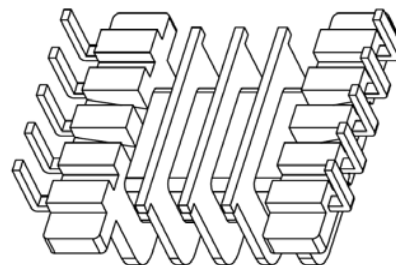
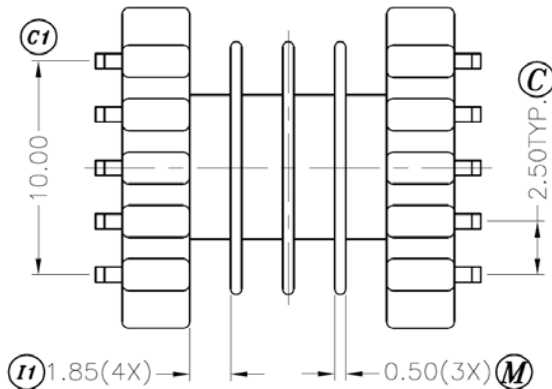
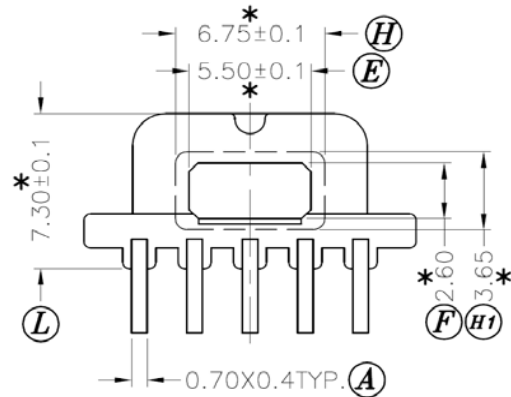
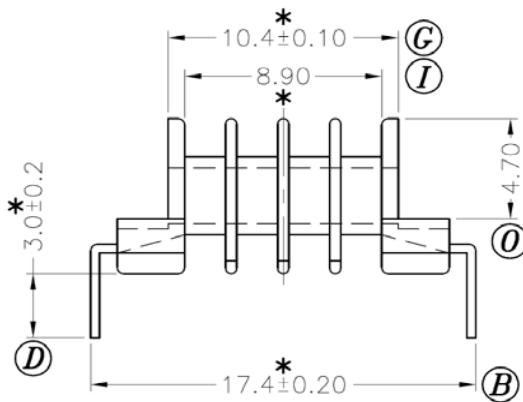
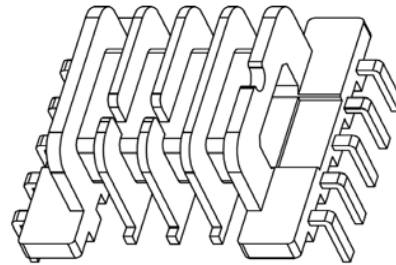
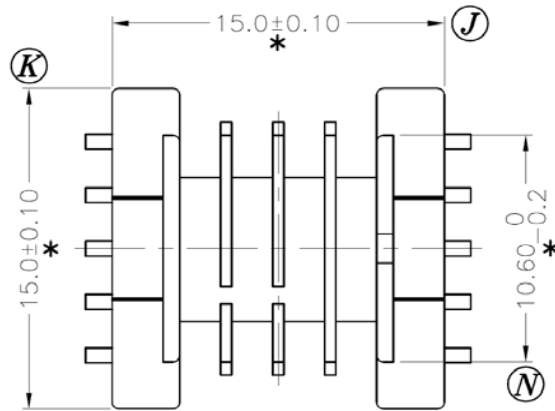


Dimensions in mm

Country of Origin: China		RoHS Certified: YES	
Bobbin Material: Sumitomo E4008 (k) (LCP)		Drawing Number: BEFD15-L110GADS-P	
UL File: E54705	UL Rec: 94-V0	S-1501	Pin Material: Phosphor Bronze (DS)
MH&W International Corp		Pin Tension: 1.5Kgm min	Finish: Tin
Phone 201-891-8800 Email: sales@mhw-intl.com		Part Number: BEFD15-L110GADS-P	

BEFD15-L410DS-P

--	--

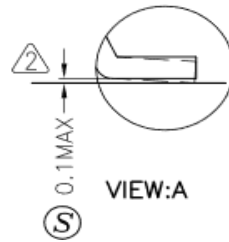
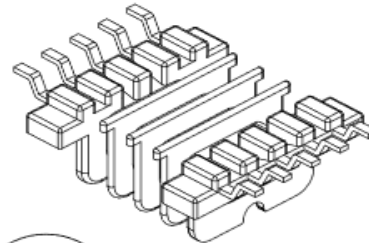
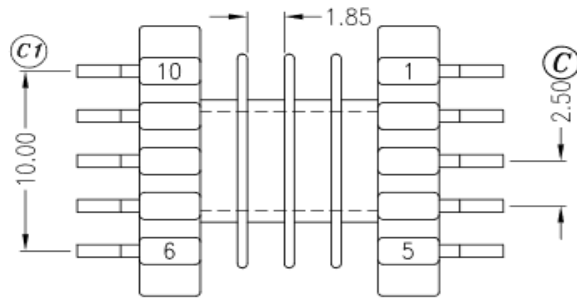
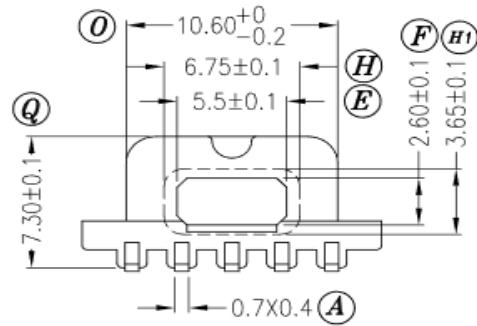
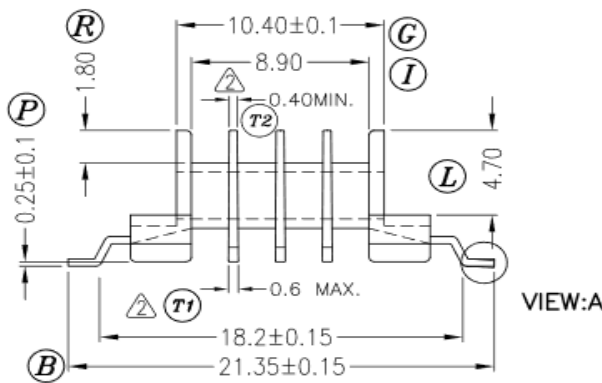
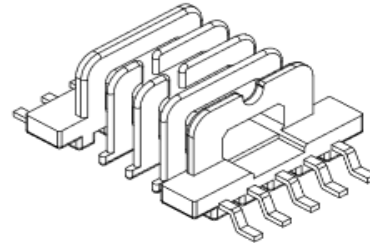
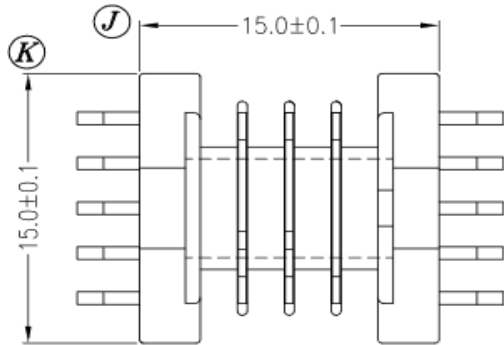


Dimensions in mm

Country of Origin: China		RoHS Certified: YES	
Bobbin Material: Sumitomo E4008 (k) (LCP)		Drawing Number: BEFD15-L410DS-P	
UL File: E54705	UL Rec: 94-V0	P-1507	Pin Material: Phospher Bronze (DS)
MH&W International Corp		Pin Tension: 0.9Kgm min	Finish: e2 (JEDEC)
Phone 201-891-8800 Email: sales@mhw-intl.com		Part Number: BEFD15-L410DS-P	

BEFD15-L410GADS-P

Revisions	Date	DESCRIPTION	BY
-	2019/06/26	INITIAL ISSUE	dr

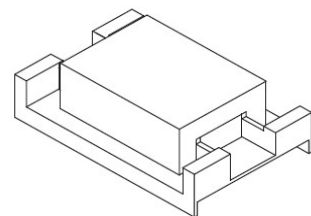
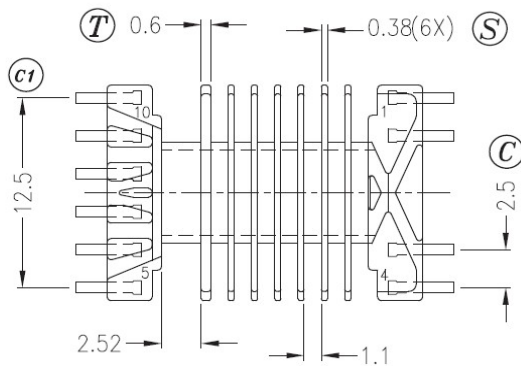
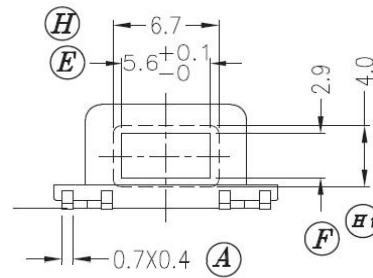
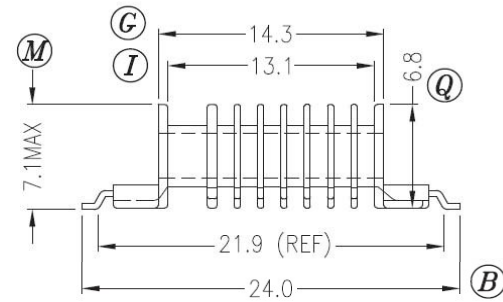
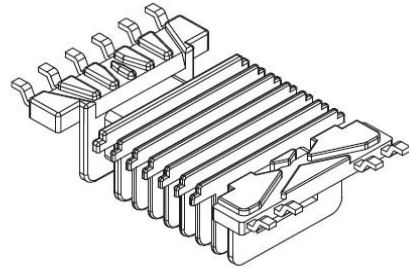
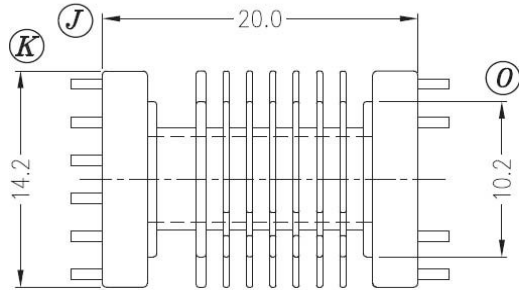


Dimensions in mm

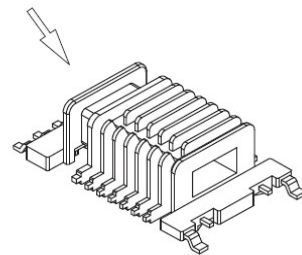
Country of Origin: China	RoHS Certified: YES	UL Molder Certification: E163831
Bobbin Material: LCP E4008		Drawing Number: BEFD15-L410GADS-P
UL File: E54705	UL Rec: 94-V0	S-1509-2
Pin Material: PHOSPHOR BRONZE (DS) CuSn ₆		
Pin Tension: 1.0Kgm min		Finish: MATTE Sn
Part Number: BEFD15-L410GADS-P		

MH&W International Corp
Phone 201-891-8800 Email: sales@mhw-intl.com

BEFD15-L810DS-P 4x6



C-068 (C-077.001L)

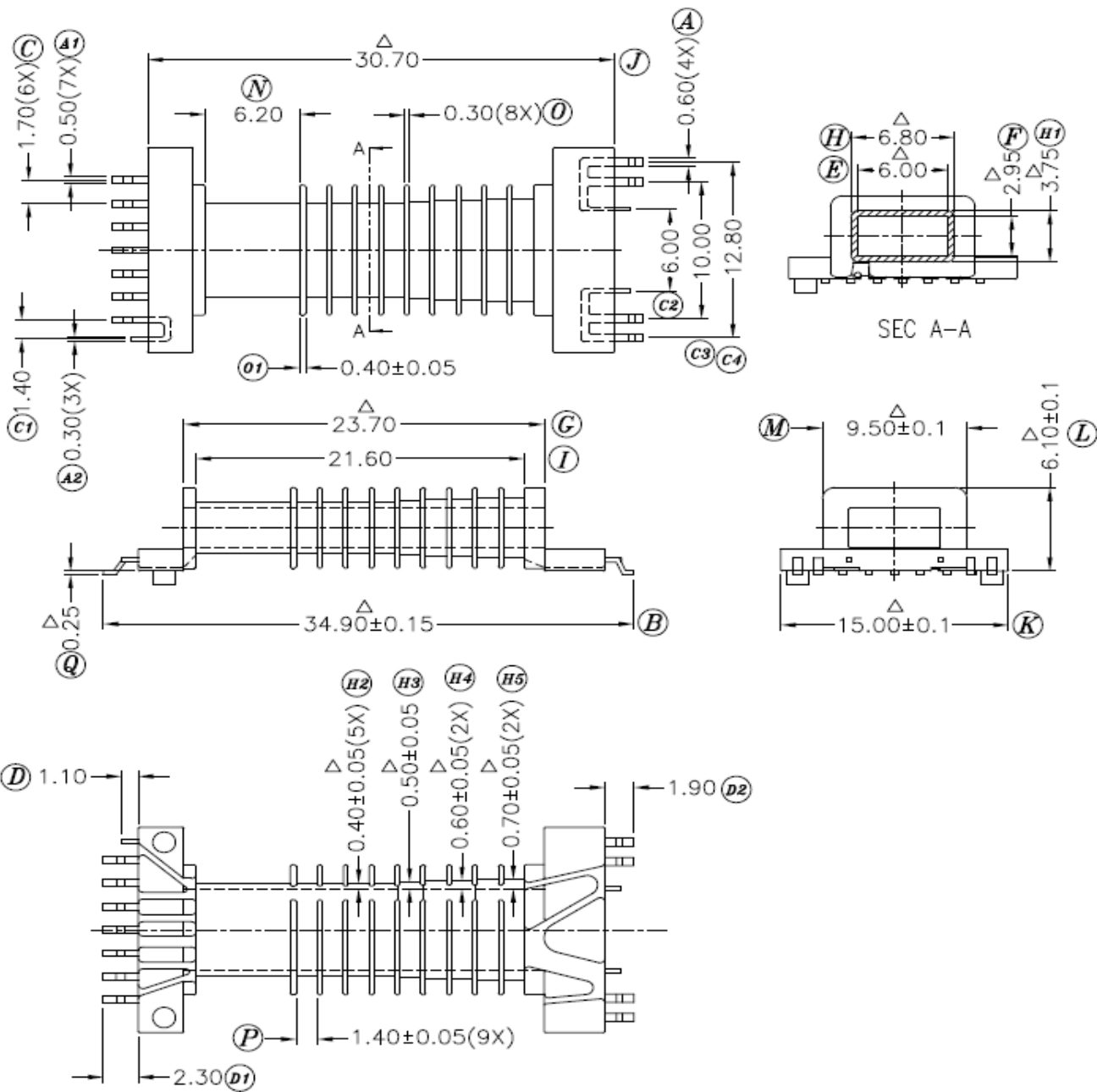


Dimensions in mm

Country of Origin: China	RoHS Certified: YES	Molder UL File Number: E163831
Bobbin Material: Sumitomo E4008 (k) (LCP)	Drawing Number: BEFD15-L810DS-P 4x6	
UL File: E54705	UL Rec: 94-V0	S-1507
Pin Material: Phospher Bronze (DS)		Pin Tension: 2.0Kgm min
Finish: Tin		Part Number: BEFD15-L810DS-P 4x6
MH&W International Corp Phone 201-891-8800 Email: sales@mhw-intl.com		

BEFD15-L1011GADS-P

Revisions			
-	2018/09/07	INITIAL ISSUE	dar

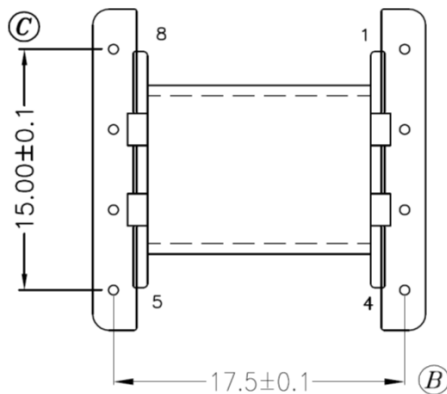
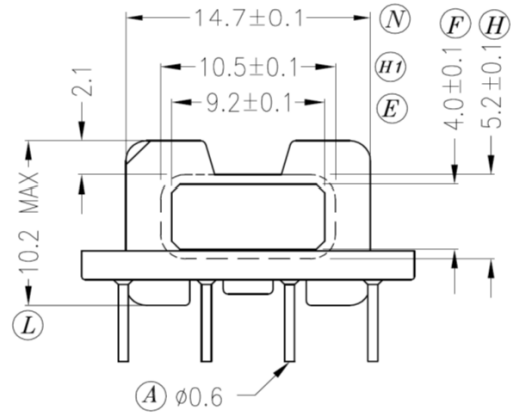
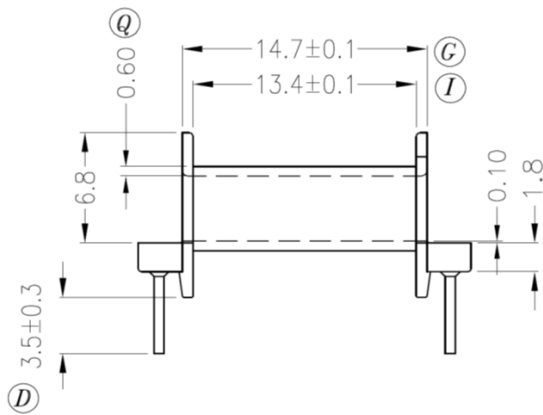
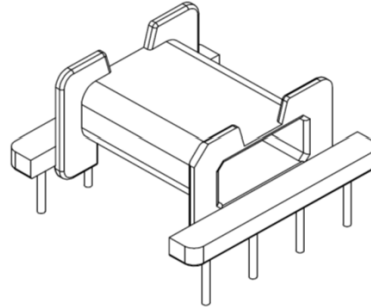
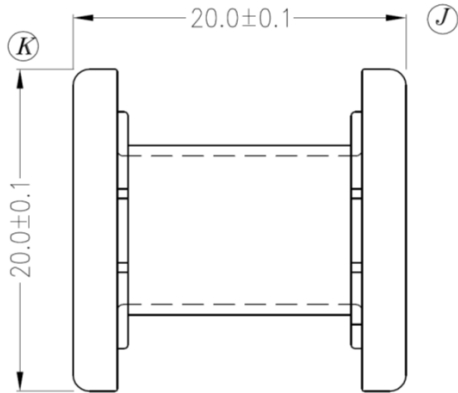


Dimensions in mm

Pin Pitch: ± 0.2		UL Molder Certification: E163831	
Country of Origin: China		RoHS Certified: YES	
Bobbin Material: LCP SUMITOMO E4008		Tolerances: 0<L≤4 ±0.2; 4<L≤16 ±0.3; 16<L≤63 ±0.4	
UL File: E54705	UL Rec: 94-V0	S-1514-2	Drawing Number: BEFD15-L1011GADS-P
MH&W International Corp		Pin Material: PHOSPHOR BRONZE	
Phone 201-891-8800 Email: sales@mhw-intl.com		Pin Tension: 1.0 Kgm min	
		Finish: matte Matte Sn	
		Part Number: BEFD15-L1011GADS-P	

BEFD20-118CP-P

--	--

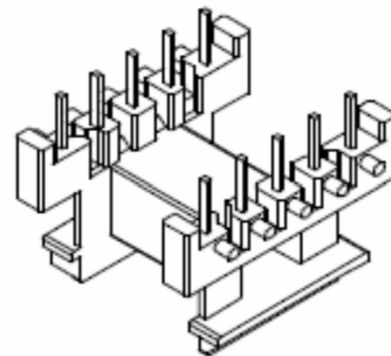
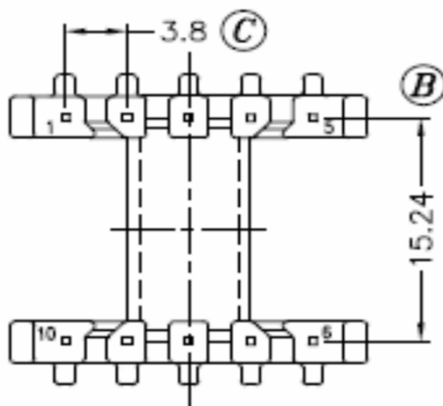
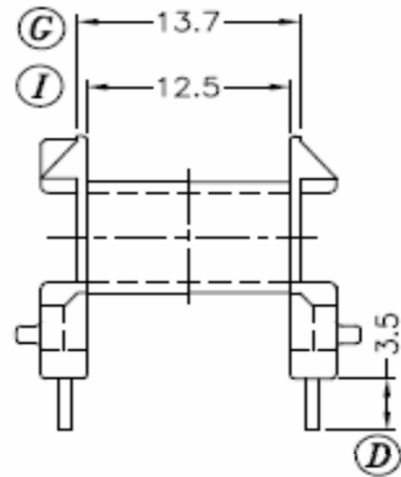
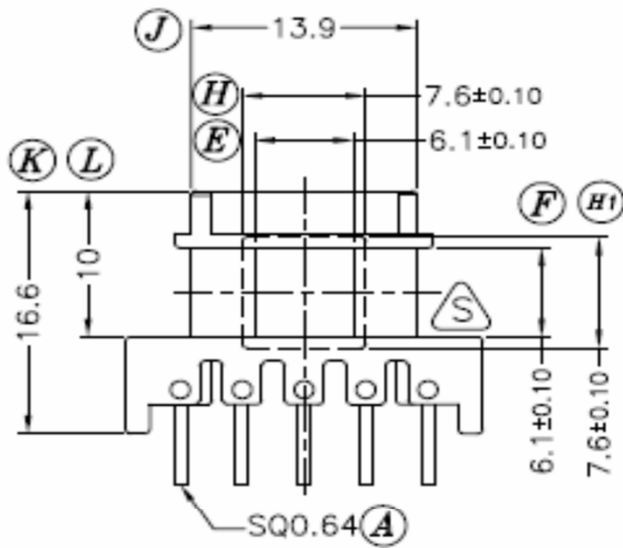
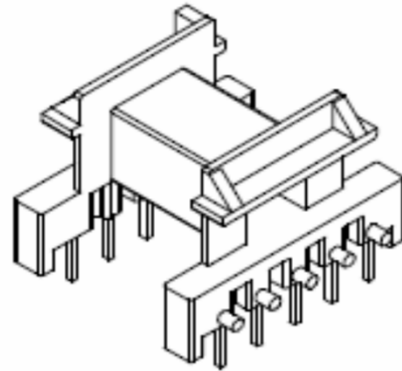
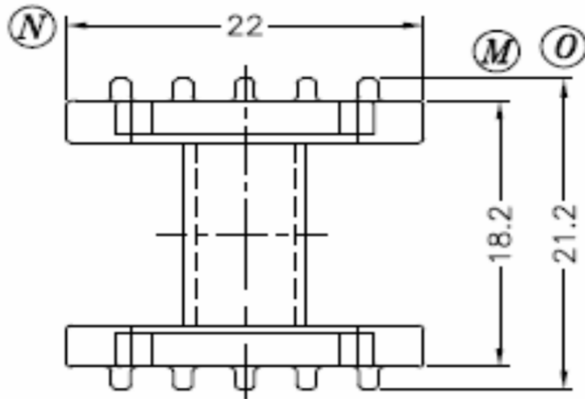


Dimensions in mm

Country of Origin: China	RoHS Certified: YES	UL Molder Certification: E163831
Bobbin Material: Sumitomo PM9630		Drawing Number: BEFD20-118CP-P
UL File: E41429	UL Rec: 94-V0	P-2022
Pin Material: Steel Wire (CP)		
Pin Tension: 1.0Kgm min		Finish: Tin
Part Number: BEFD20-118CP-P		
MH&W International Corp Phone 201-891-8800 Email: sales@mhw-intl.com		

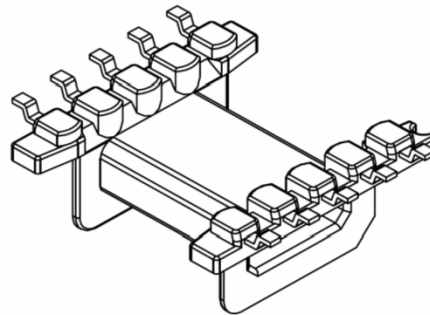
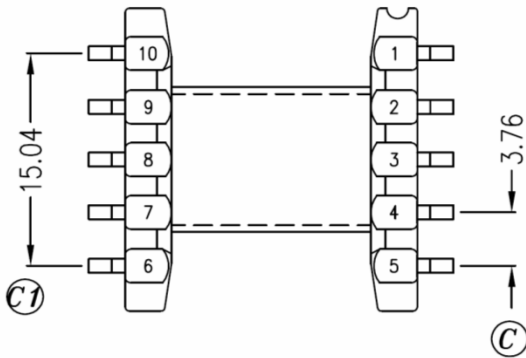
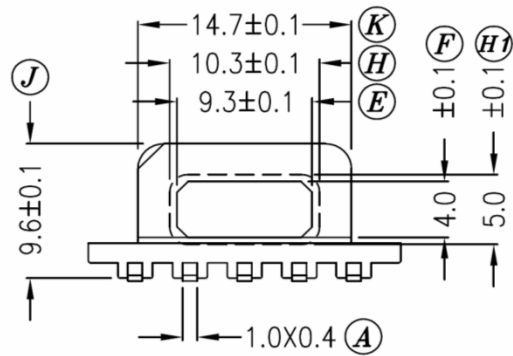
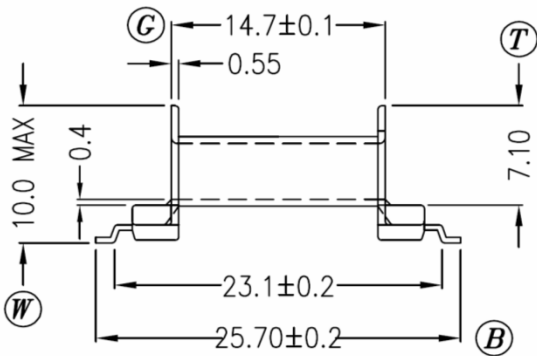
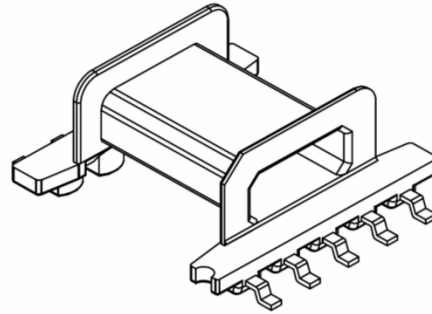
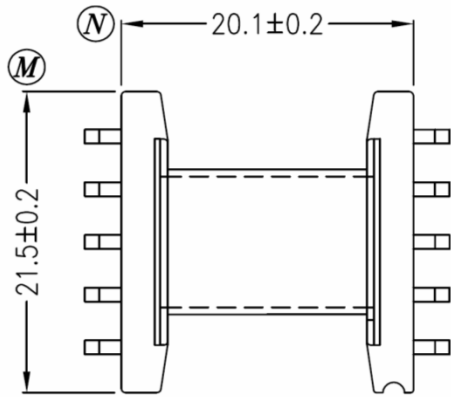
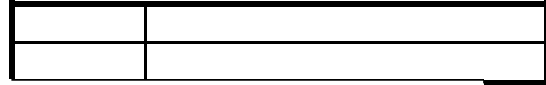
BEFD20-1110CPH-P-SQ3.5

Revisions			
-	2016/08/02	INITIAL ISSUE	gvs



Tolerances: 0<L≤4 ±0.2; 4<L≤16 ±0.3; 16<L≤63 ±0.4		Pin Pitch: ± 0.2	Dimensions in mm
Country of Origin: China	RoHS Certified: YES	UL Molder Certification: E163831	
Bobbin Material: PHENOLIC Sumitomo PM9820		Drawing Number: BEFD20-1110CPH-P-SQ3.5	
UL File: E41429	UL Rec: 94-V0	P-2015-1	Pin Material: Steel Wire (CP)
MH&W International Corp		Pin Tension: 1.5Kgm min	Finish: matte Sn
Phone 201-891-8800 Email: sales@mhw-intl.com		Part Number: BEFD20-1110CPH-P-SQ3.5	

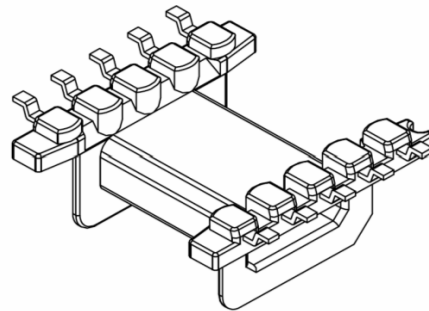
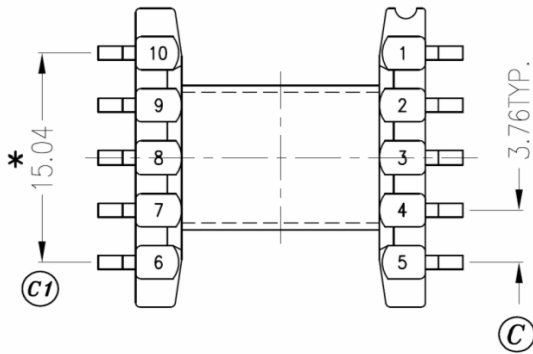
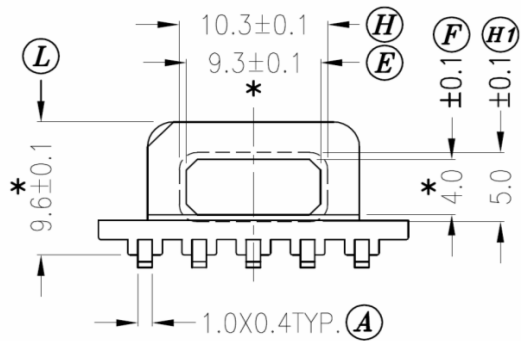
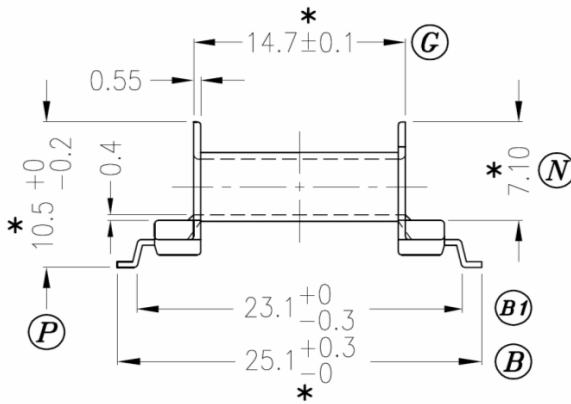
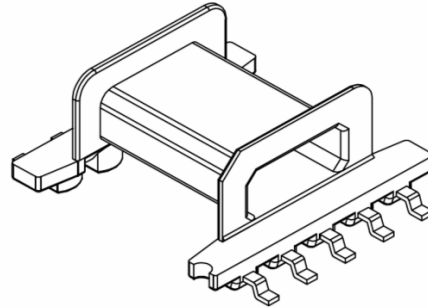
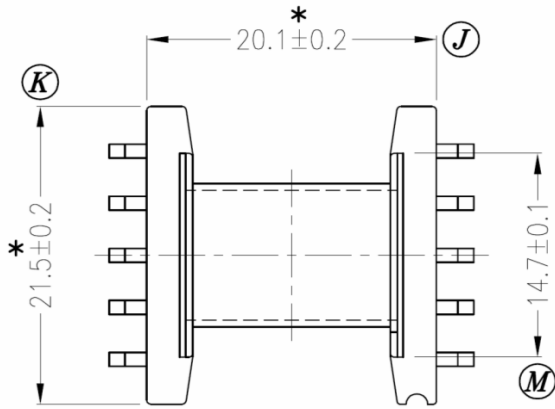
BEFD20-1110GADS-P S2004-1



Dimensions in mm

Country of Origin: China	RoHS Certified: YES	UL Molder Certification: E163831
Bobbin Material: Sumitomo PM9630	Drawing Number: BEFD20-1110GADS-P S2004-1	
UL File: E41429	UL Rec: 94-V0	S-2004-1
Pin Material: PHOSPHOR BRONZE (DS) CuSn6		Pin Tension: 1.0Kgm min
Finish: Sn		Part Number: BEFD20-1110GADS-P S2004-1
MH&W International Corp Phone 201-891-8800 Email: sales@mhw-intl.com		

BEFD20-1110GADS-P S2004-4

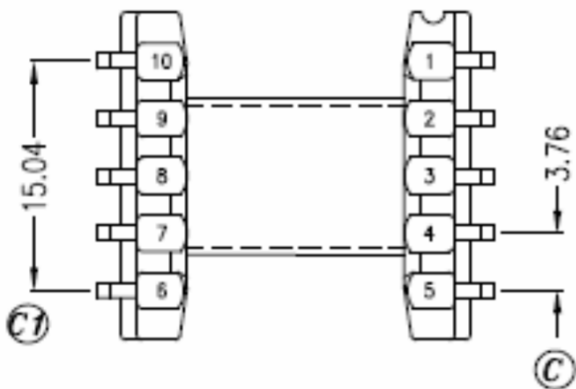
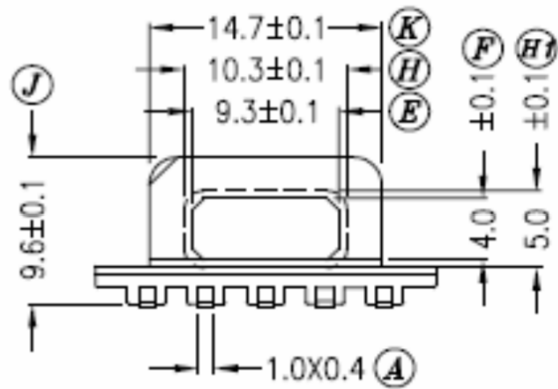
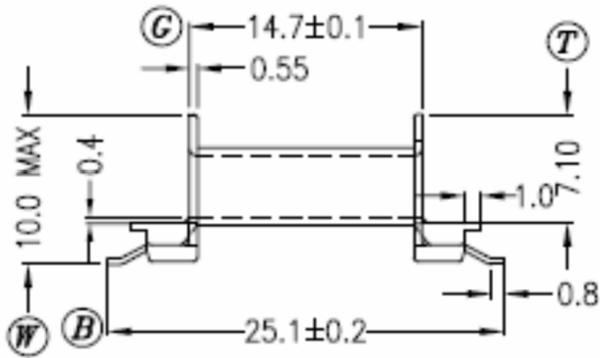
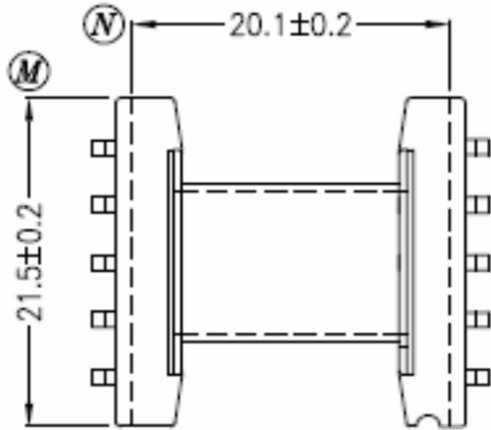


Dimensions in mm

Country of Origin: China	RoHS Certified: YES	UL Molder Certification: E163831
Bobbin Material: Sumitomo PM9630	Drawing Number: BEFD20-1110GADS-P S2004-4	
UL File: E41429	UL Rec: 94-V0	S-2004-4
Pin Material: PHOSPHOR BRONZE (DS) CuSn6		Pin Tension: 1.0Kgm min
Finish: Sn		Part Number: BEFD20-1110GADS-P S2004-4
MH&W International Corp Phone 201-891-8800 Email: sales@mhw-intl.com		

BEFD20-1110GADS-P-S2004

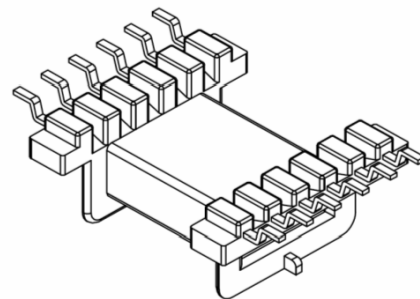
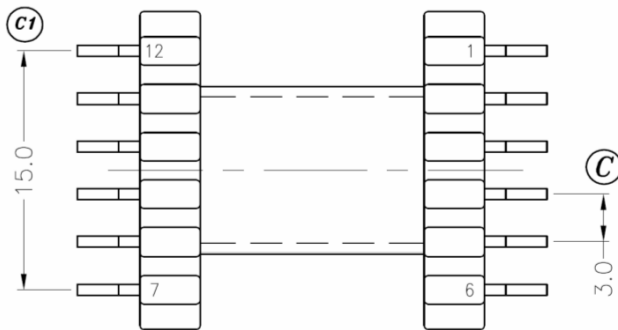
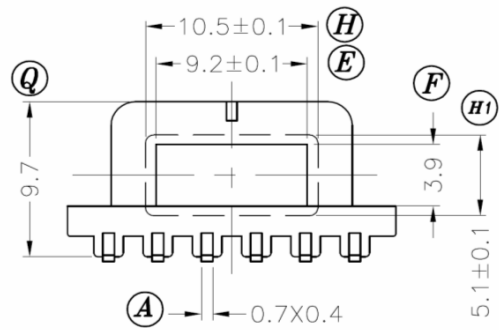
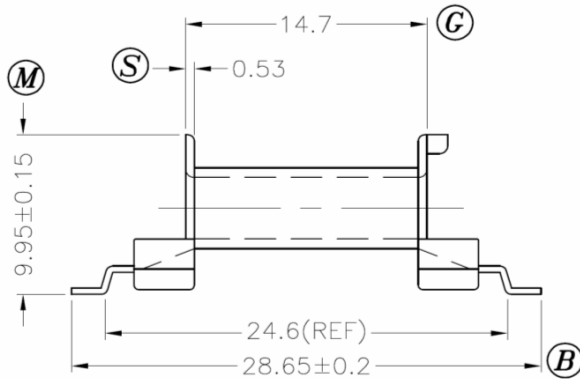
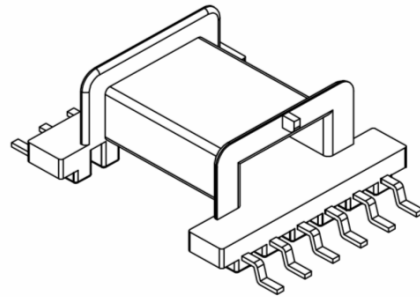
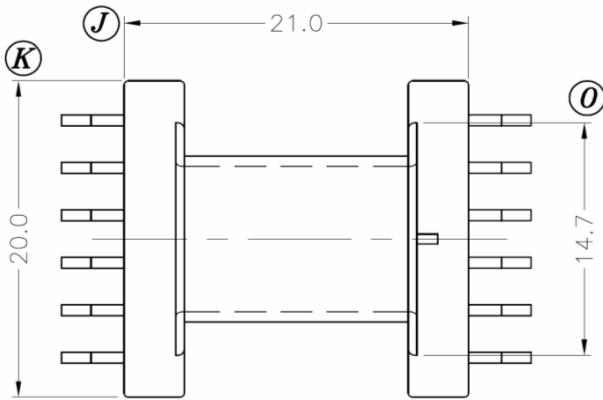
Revisions			
-	2013/04/01	Initial Issue	gvs



Dimensions in mm

Tolerances: 0<L≤4 ±0.2; 4<L≤16 ±0.3; 16<L≤63 ±0.4		Pin Pitch tolerance: ±0.3; Coplanarity 0.3	
Country of Origin: China		RoHS Certified: YES	
Bobbin Material: Sumitomo PM9630		UL Molder Certification: E163831	
UL File: E41429		Drawing Number: BEFD20-1110GADS-P-S2004	
UL Rec: 94-V0		S-2004	
Pin Material: PHOSPHOR BRONZE (DS) CuSn6		Pin Tension: 1.0Kgm min	
Finish: Sn		Part Number: BEFD20-1110GADS-P-S2004	
MH&W International Corp Phone 201-891-8800 Email: sales@mhw-intl.com			

BEFD20-1112GADS-P

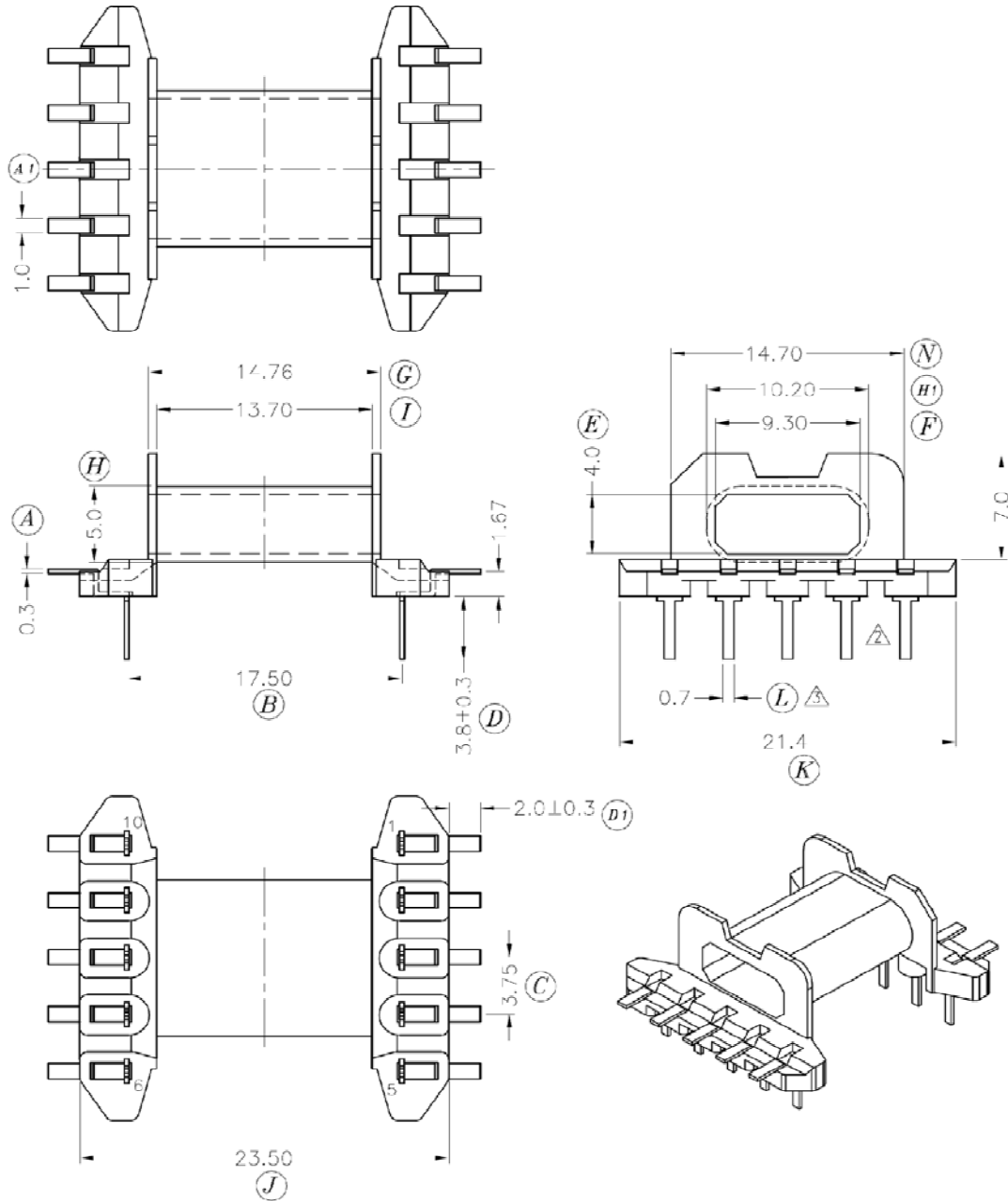


Dimensions in mm

Country of Origin: China	RoHS Certified: YES	UL Molder Certification: E163831
Bobbin Material: Sumitomo Phenolic PM-9630		Drawing Number: BEFD20-1112GADS-P
UL File: E41429	UL Rec: 94-V0	S-2005
Pin Material: Phosphor Bronze (DS)		Pin Tension: 1.5Kgm min
Finish: matte Sn		Part Number: BEFD20-1112GADS-P
MH&W International Corp Phone 201-891-8800 Email: sales@mhw-intl.com		

BEFD20-L110-P

--	--

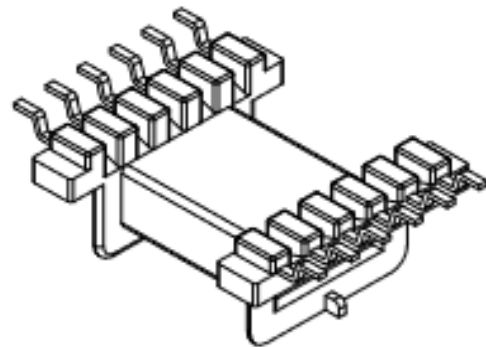
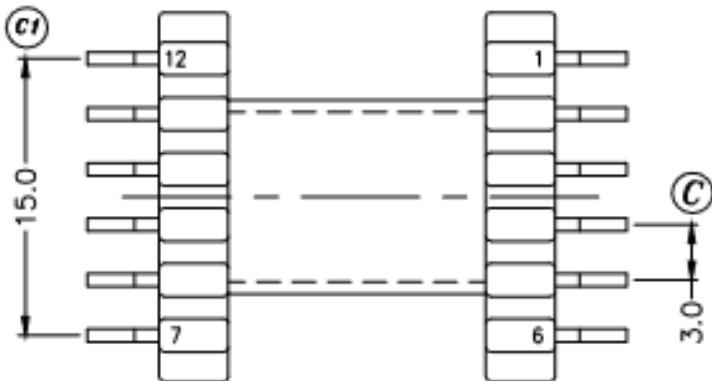
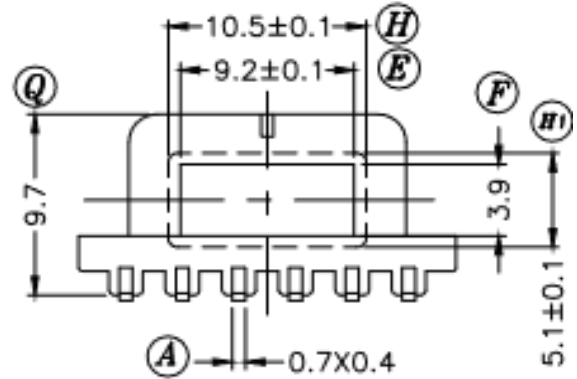
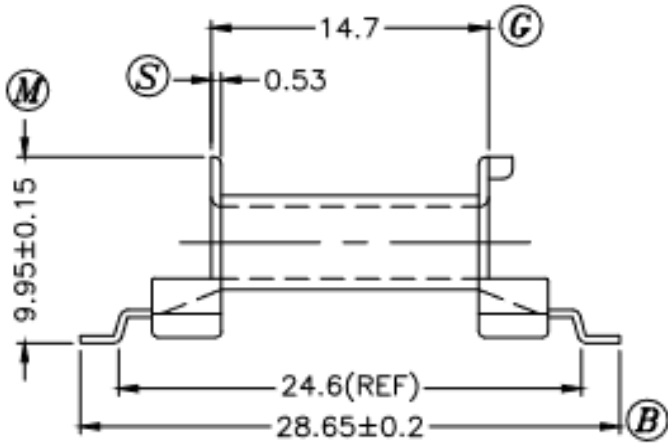
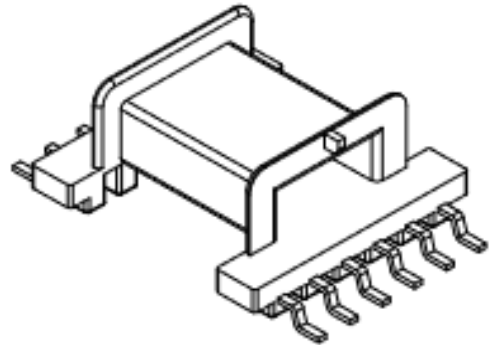
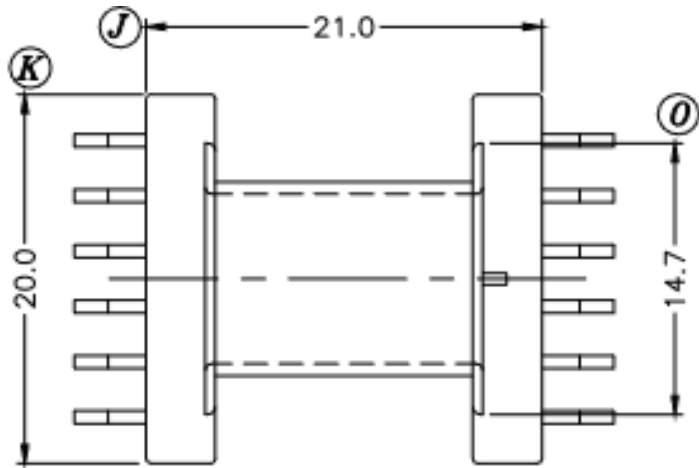


Dimensions in mm

Country of Origin: China		RoHS Certified: YES	
Bobbin Material: Sumitomo E4008 (k) (LCP)		Drawing Number: BEFD20-L110-P	
UL File: E54705	UL Rec: 94-V0	P-2023-1	Pin Material: C-2680 Copper Brass
MH&W International Corp		Pin Tension: 1.5Kgm min	Finish: e2 (JEDEC)
Phone 201-891-8800 Email: sales@mhw-intl.com		Part Number: BEFD20-L110-P	

BEFD20-L112GADS-P

REV	DATE	DESCRIPTION	BY
-	2024/02/02	INITIAL ISSUE	dar

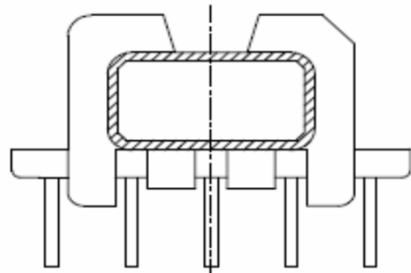


Dimensions in mm

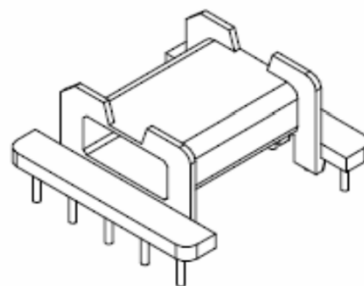
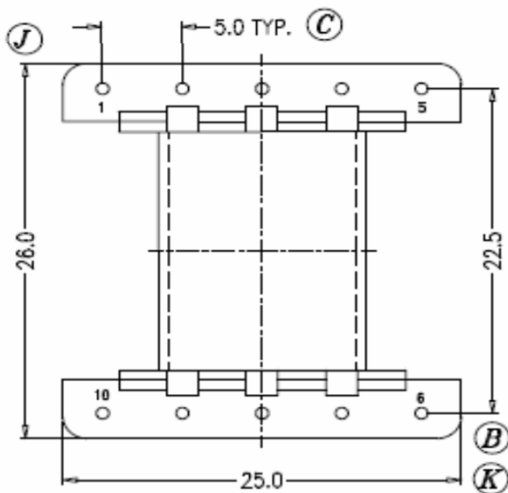
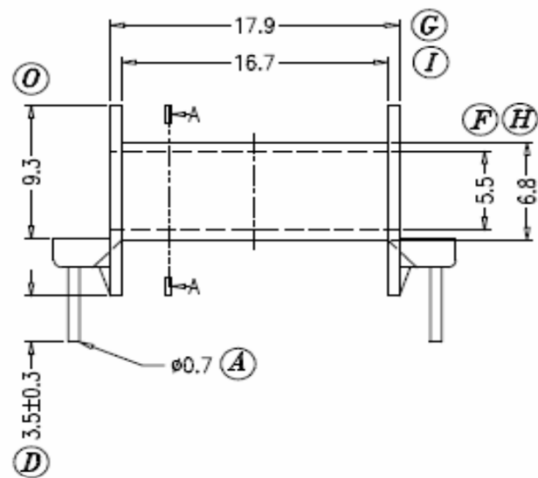
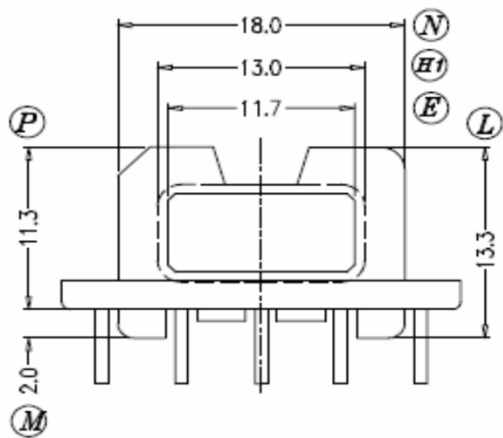
Country of Origin: China	RoHS Certified: YES	UL Molder Certification: E163831
Bobbin Material: Sumitomo E4008		Drawing Number: BEFD20-L112GADS-P
UL File: E54705	UL Rec: 94-V0	S-2005-2
Pin Material: Phospher Bronze (DS)		Pin Tension: 1.5Kgm min
Finish: matte Sn		Part Number: BEFD20-L112GADS-P
MH&W International Corp Phone 201-891-8800 Email: sales@mhw-intl.com		

BEFD25-1110CPH-P-P3.5

Revisions			
-	2017/02/21	INITIAL ISSUE	gvs



SEC. A-A

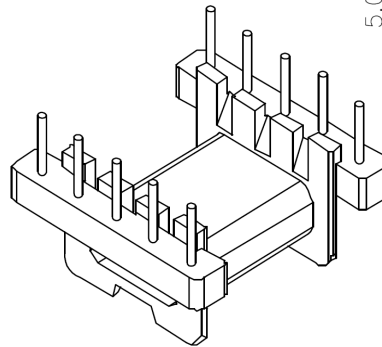
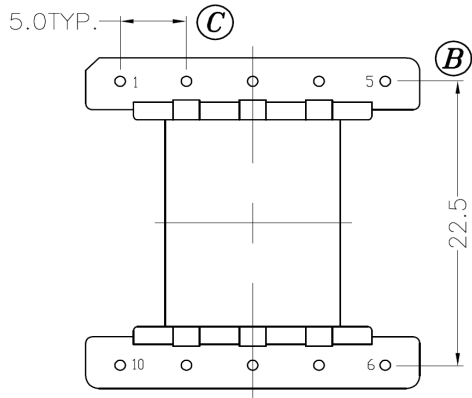
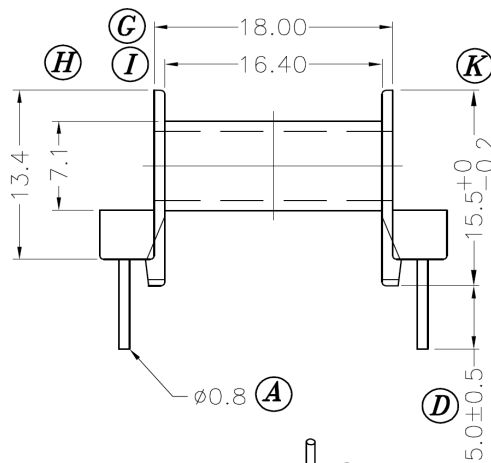
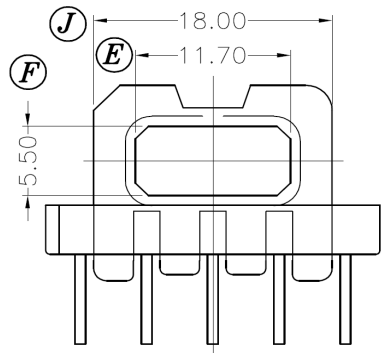
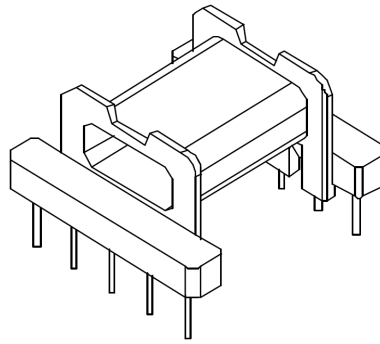
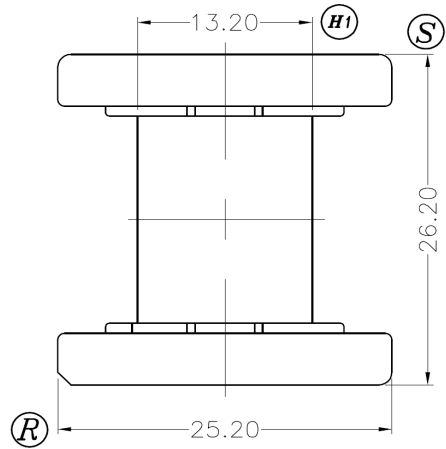


Dimensions in mm

Pin Pitch Tol: ± 0.3			
Country of Origin: China	RoHS Certified: YES	Tolerances: $0 < L \leq 4$: ± 0.2 $4 < L \leq 16$: ± 0.3 $16 < L \leq 63$: ± 0.4	
Bobbin Material: PHENOLIC Sumitomo PM9820		Drawing Number: BEFD25-1110CPH-P-P3.5	
UL File: E41429	UL Rec: 94-V0	P-2526-P3.5	Pin Material: STEEL WIRE (CP)
MH&W International Corp		Pin Tension: 1.5Kgm min	Finish: Matte Sn
Phone 201-891-8800 Email: sales@mhw-intl.com		Part Number: BEFD25-1110CPH-P-P3.5	

BEFD25-1110CP-P

REV	DATE	DESCRIPTION	BY
1	2023/02/24	Change mat'l from T375J to T375HF on new orders	dr

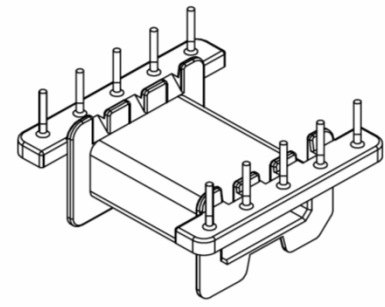
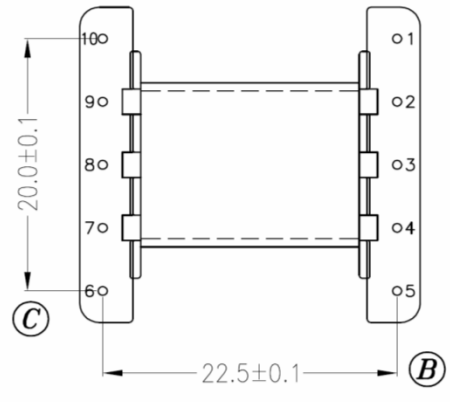
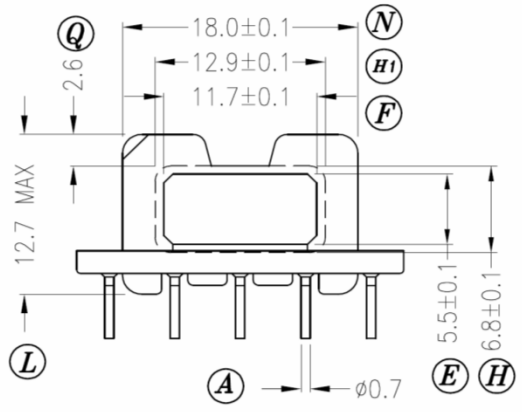
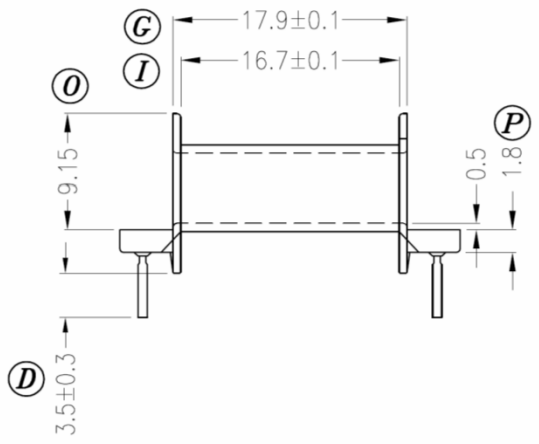
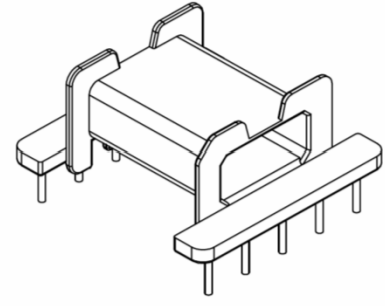
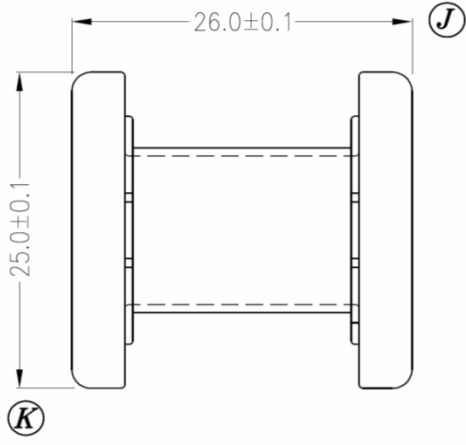


Dimensions in mm

Country of Origin: China	RoHS Certified: YES	UL Molder Certification: E163831
Bobbin Material: Chang Shun Plastics T375HF		Drawing Number: BEFD25-1110CP-P
UL File: E59481	UL Rec: 94-V0	P-2512
Pin Material: Steel Wire (CP)		Pin Tension: 1.5Kgm min
Finish: Tin		Part Number: BEFD25-1110CP-P
MH&W International Corp Phone 201-891-8800 Email: sales@mhw-intl.com		

BEFD25-1110CP-P-P3.5

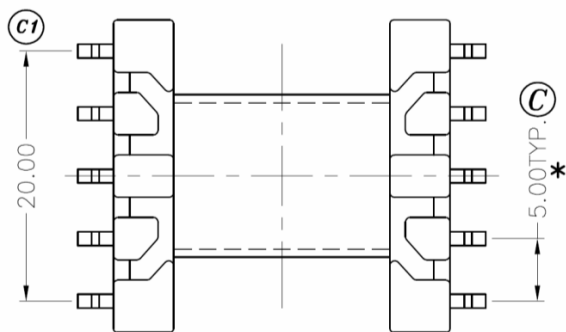
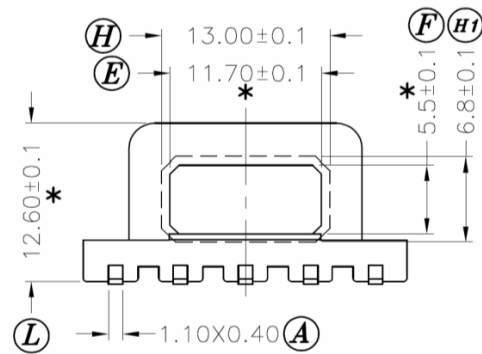
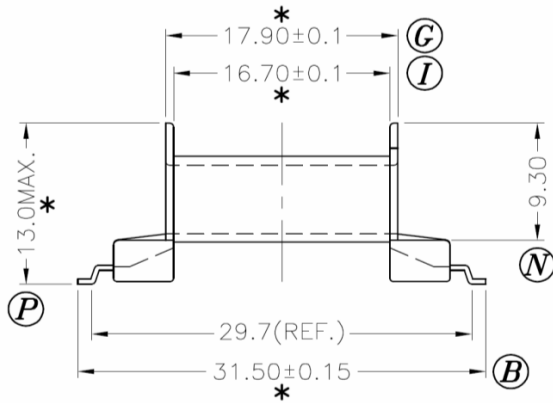
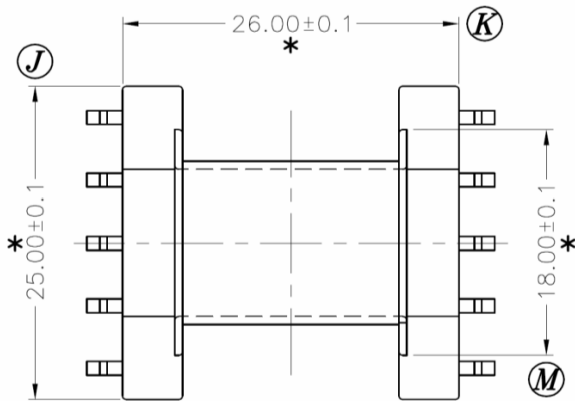
Revisions			



Inventory Number: P-2521-2-P3.5		Dimensions in mm	
Country of Origin: China	RoHS Certified: YES	UL Molder Certification: E163831	
Bobbin Material: Sumitomo PM9630		Drawing Number: BEFD25-1110CP-P-P3.5	
UL File: E41429	UL Rec: 94-V0	Pin Material: Steel Wire (CP)	
MH&W International Corp Phone 201-891-8800 Email: sales@mhw-intl.com		Pin Tension: 0.9Kgm min	Finish: Sn 100%
		Part Number: BEFD25-1110CP-P-P3.5	

BEFD25-1110GADS-P

Revisions	

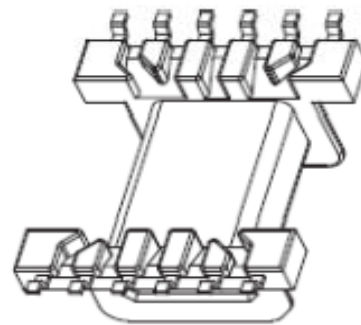
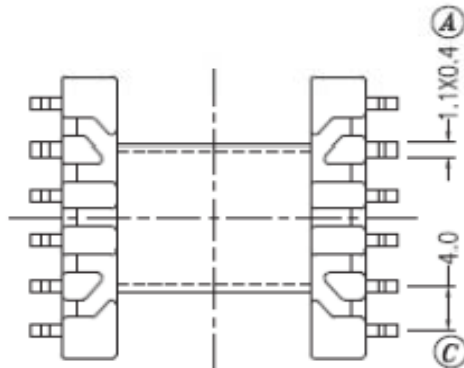
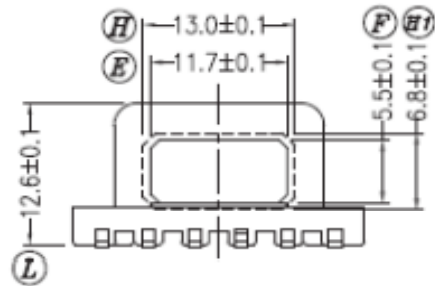
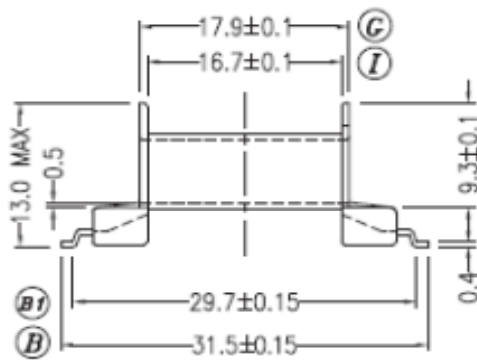
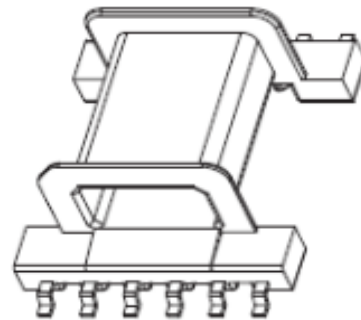
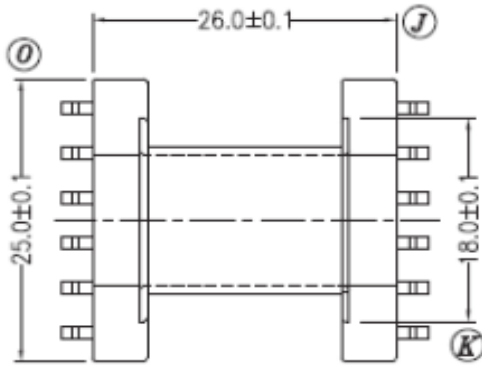


Dimensions in mm

Country of Origin: China	RoHS Certified: YES	Molder UL Certification: E163831
Bobbin Material: Sumitomo PM9630	Drawing Number: BEFD25-1110GADS-P	
UL File: E41429	UL Rec: 94-V0	S-2501
Pin Material: PHOSPHER BRONZE (DS)		Pin Tension: 2.0 Kgm min
Finish: Sn		Part Number: BEFD25-1110GADS-P
MH&W International Corp Phone 201-891-8800 Email: sales@mhw-intl.com		

BEFD25-1112GADS-P

Revisions



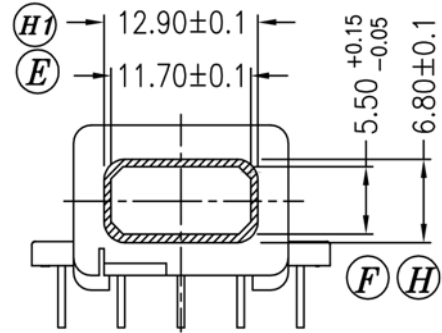
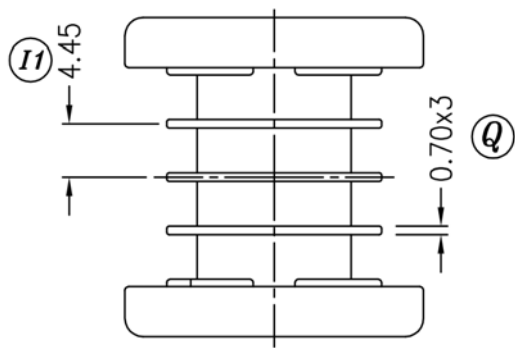
Dimensions in mm

Country of Origin: China	RoHS Certified: YES
Bobbin Material: Sumitomo PM9630	
UL File: E41429	UL Rec: 94-V0
S-2501-1	
MH&W International Corp	
Phone 201-891-8800 Email: sales@mhw-intl.com	

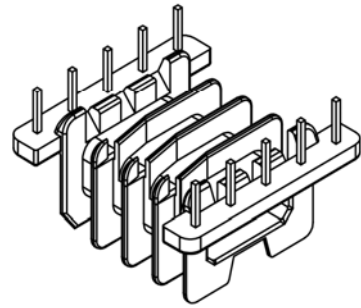
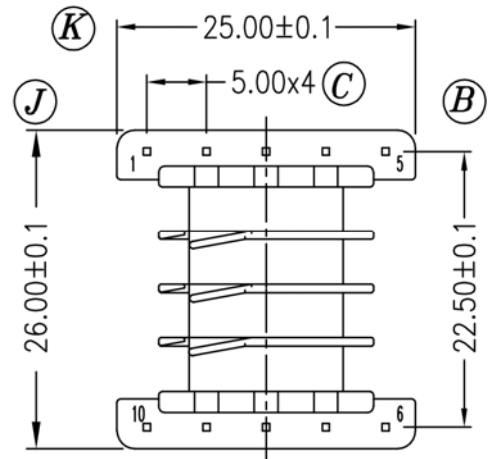
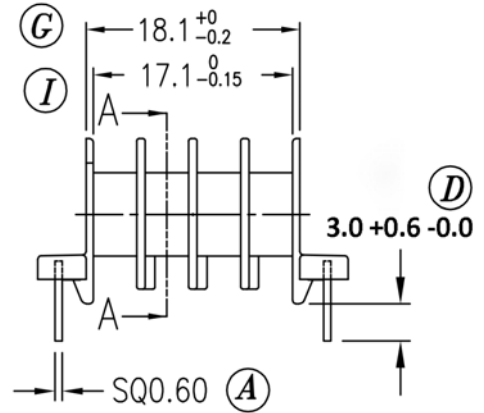
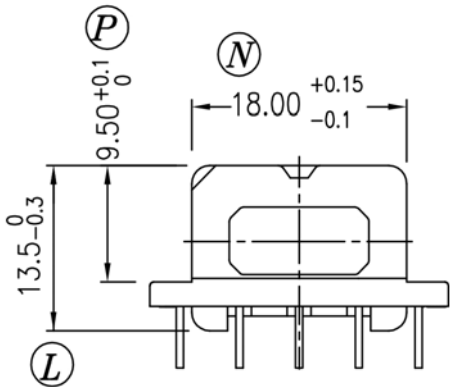
Drawing Number: BEFD25-1112GADS-P
Pin Material: PHOSPHER BRONZE (DS)
Pin Tension: 2.0 Kgm min
Finish: TIN
Part Number: BEFD25-1112GADS-P

BEFD25-1410CPH-P-SQ3.0

Revisions			
-	2013/10/14	Initial Issue	gvs



SEC. A-A



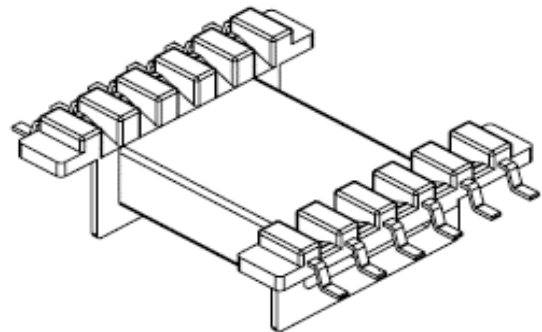
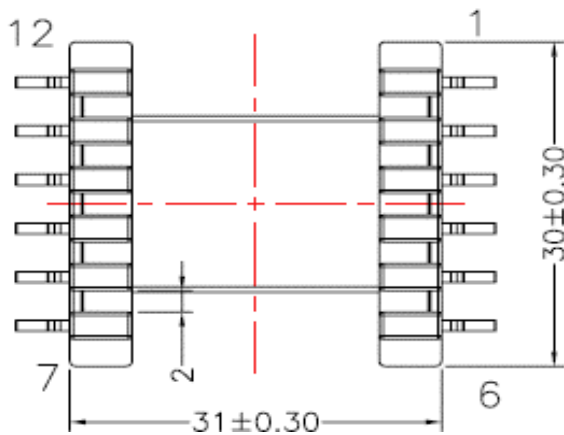
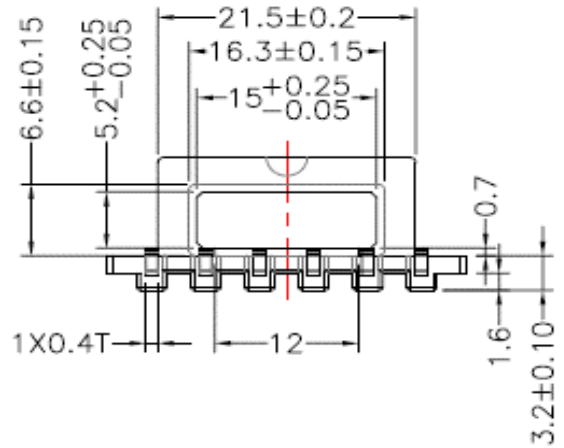
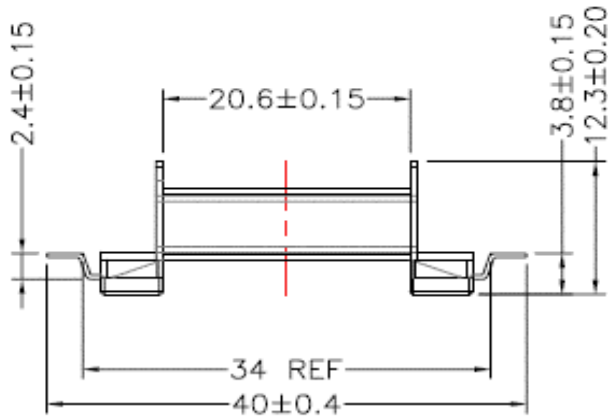
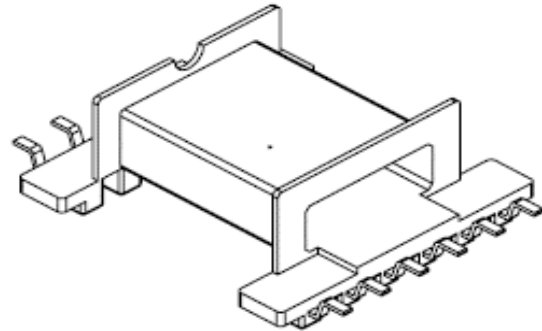
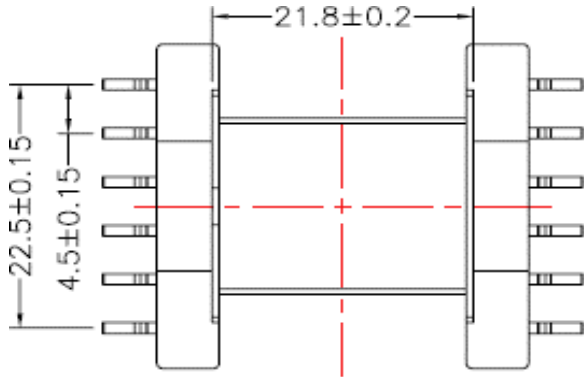
Dimensions in mm

Inventory #: P-2536	Pin Pitch ± 0.3 mm	Tolerances: 0<L≤4 ±0.2; 4<L≤16 ±0.3; 16<L≤63 ±0.4	
Country of Origin: China	RoHS Certified: YES	Molder Certification: E163831	
Bobbin Material: Phenolic SUMITOMO PM-9820		Drawing Number: BEFD25-1410CPH-P-SQ3.0	
UL File: E41429	UL Rec: 94-V0	Pin Material: Steel Wire (CP)	
MH&W International Corp Phone 201-891-8800 Email: sales@mhw-intl.com		Pin Tension: >1.0 Kgm min	Finish: Matte Sn
		Part Number: BEFD25-1410CPH-P-SQ3.0	

BEFD30-112GADS-TB

Revisions

-	2019/01/21	INITIAL ISSUE	dr
---	------------	---------------	----



Dimensions in mm

Pin Coplanarity: 0.10 mm max.

Country of Origin: China

RoHS Certified: YES

Bobbin Material: PM9630

UL File: E41429

UL Rec: 94-V0

107-05091.1103

MH&W International Corp

Phone 201-891-8800 Email: sales@mhw-intl.com

UL Molder Certification:

Tolerances: .X±0.15 .XX±0.10 .XXX±0.05

Drawing Number: BEFD30-112GADS-TB

Pin Material: Phosphor Bronze(DS)

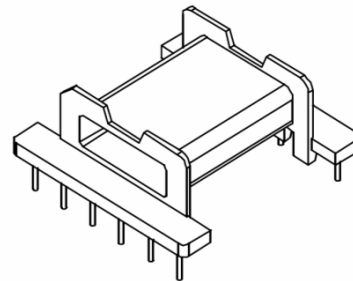
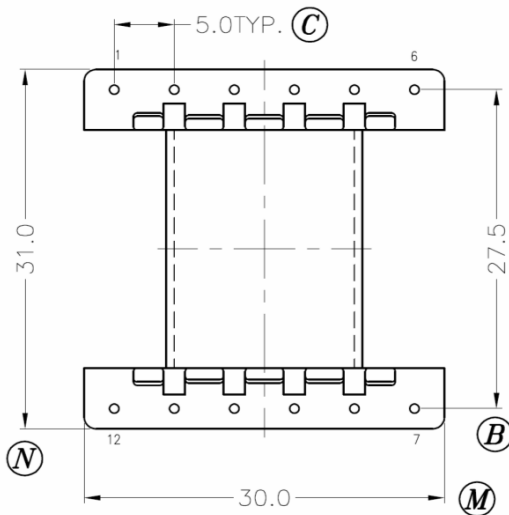
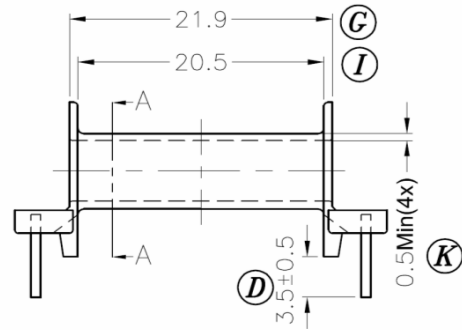
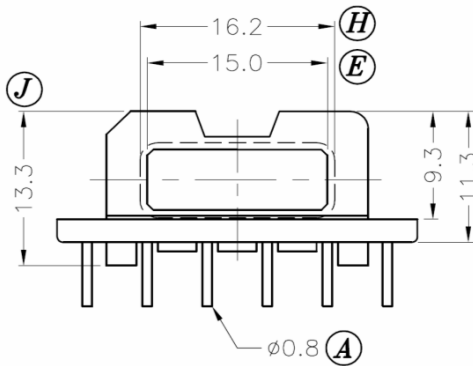
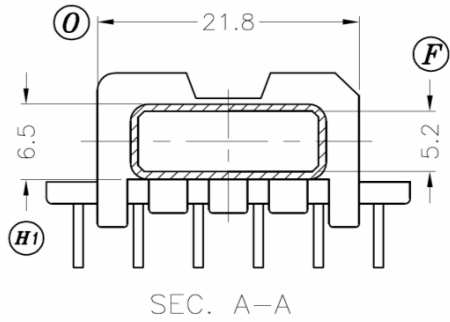
Pin Tension: 1.0Kgmin

Finish: matte Sn

Part Number: BEFD30-112GADS-TB

BEFD30-1112CP-P

--	--

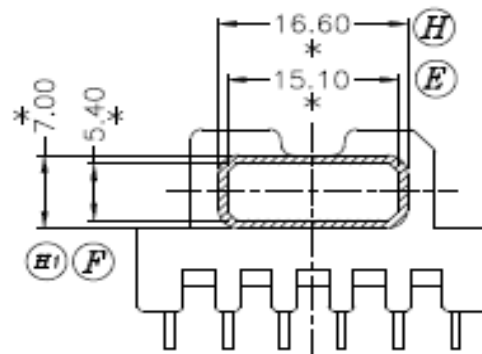
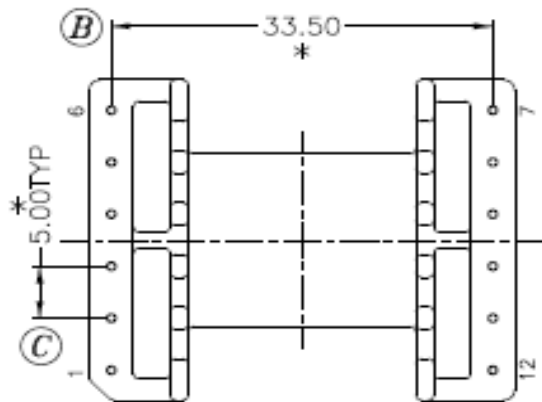
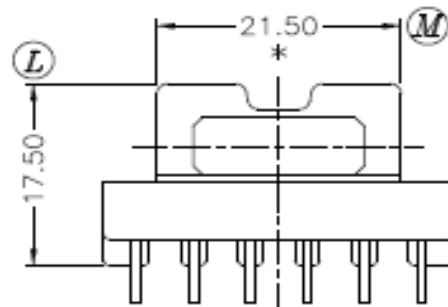
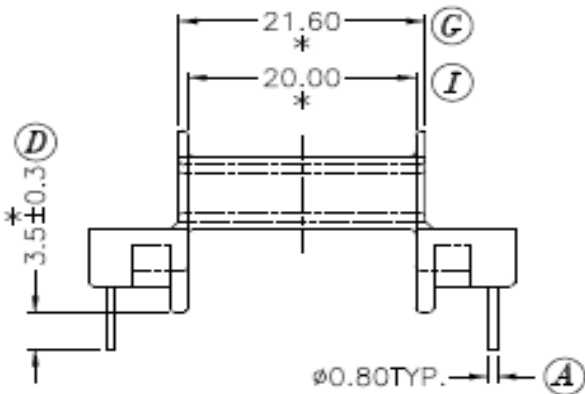
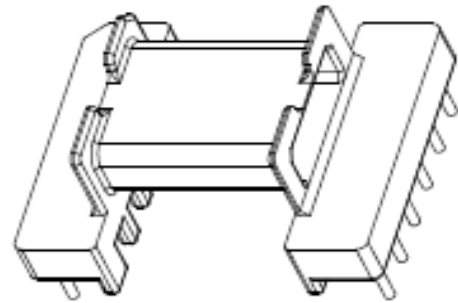
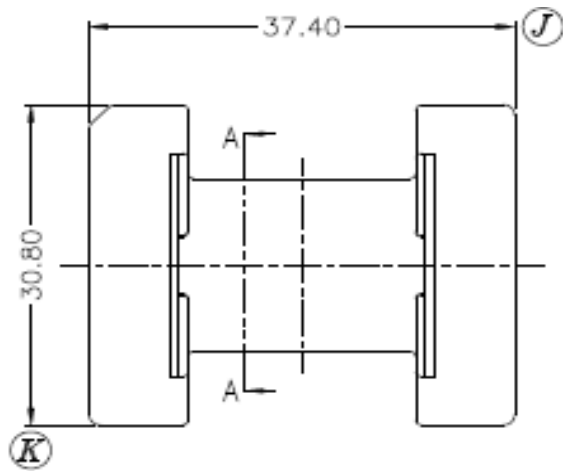


Dimensions in mm

Country of Origin: China	RoHS Certified: YES	UL Molder Certification: E163831
Bobbin Material: Sumitomo PM9820	Drawing Number: BEFD30-1112CP-P	
UL File: E41429	UL Rec: 94-V0	P-3004
Pin Material: Steel Wire (CP)		Pin Tension: 1.0Kgm min
Finish: Tin		Part Number: BEFD30-1112CP-P
MH&W International Corp Phone 201-891-8800 Email: sales@mhw-intl.com		

BEFD30-1112CP-P-3.5 P-3016

REV	DATE	DESCRIPTION	BY
-	2022/04/01	INITIAL ISSUE	dr



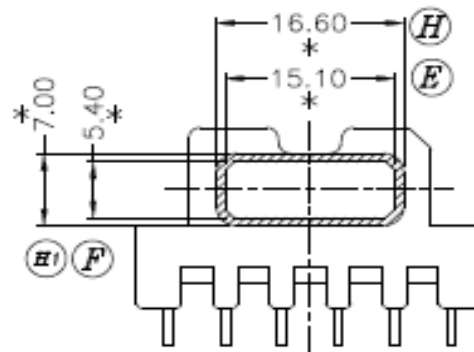
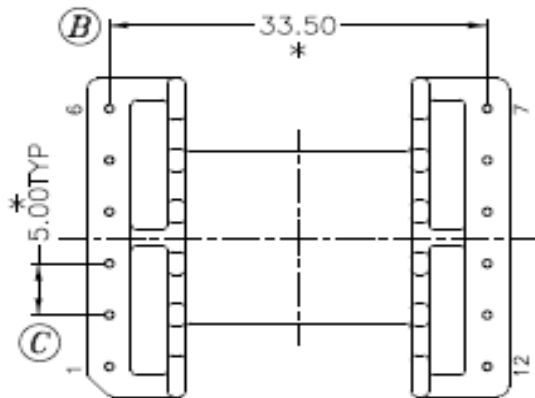
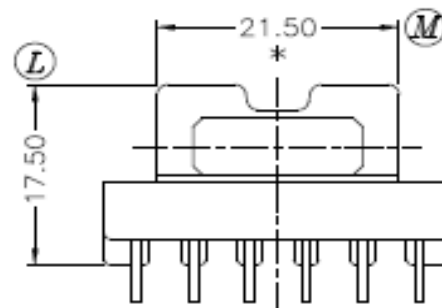
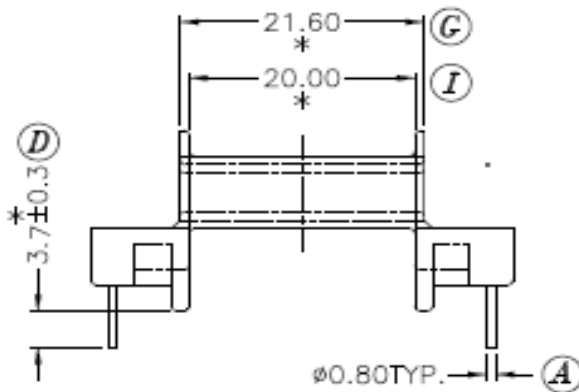
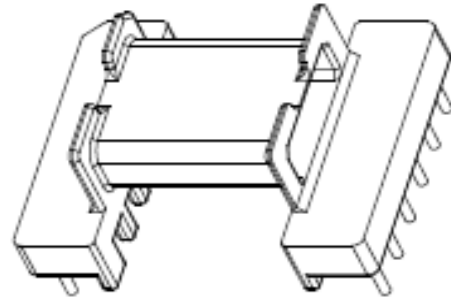
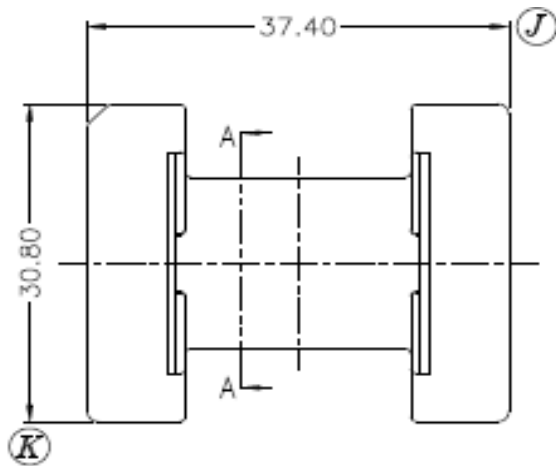
SEC.A-A

Dimensions in mm

Tolerances: 0<L≤4 ±0.2; 4<L≤16 ±0.3; 16<L≤63 ±0.4		Pin Pitch: ± 0.2	UL Molder Certification: E163831
Country of Origin: China	RoHS Certified: YES	Title: BOBBIN EFD30 12 PIN 33.5 ROW SPACING	
Bobbin Material: Sumitomo PM9620		Drawing Number: BEFD30-1112CP-P-3.5 P-3016	
UL File: E41429	UL Rec: 94-V0	P-3016	Pin Material: CP
MH&W International Corp Phone 201-891-8800 Email: sales@mhw-intl.com		Pin Tension: 1.5Kgm min	Finish: matte Sn
		Part Number: BEFD30-1112CP-P-3.5 P-3016	

BEFD30-1112CP-P-3.7 P-3016

REV	DATE	DESCRIPTION	BY
-	2022/04/01	INITIAL ISSUE	dr



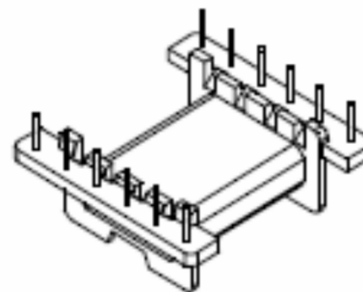
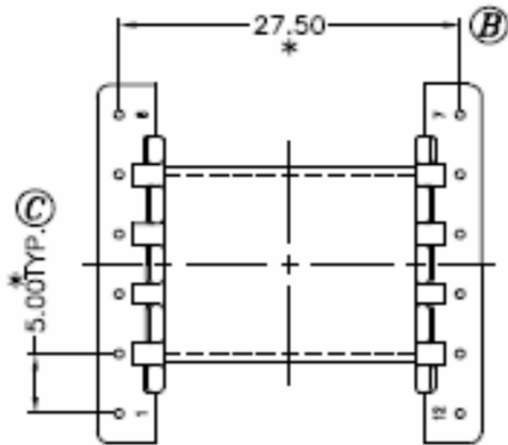
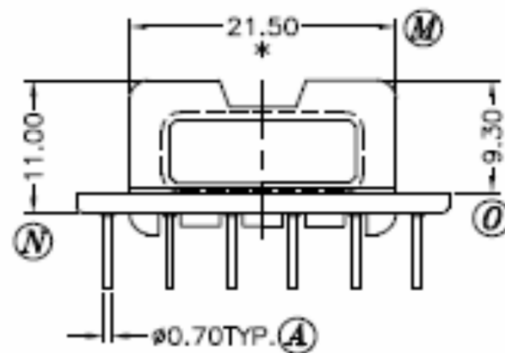
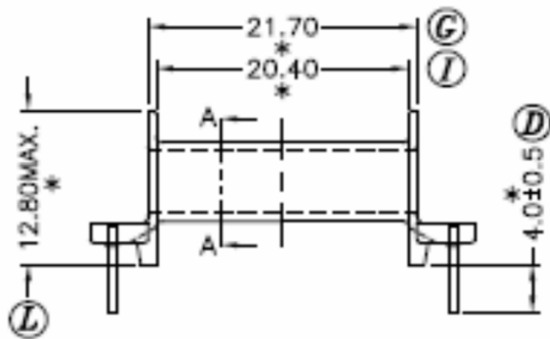
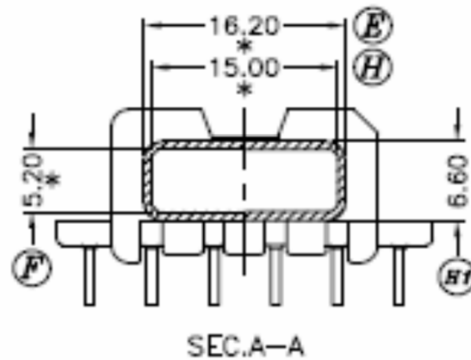
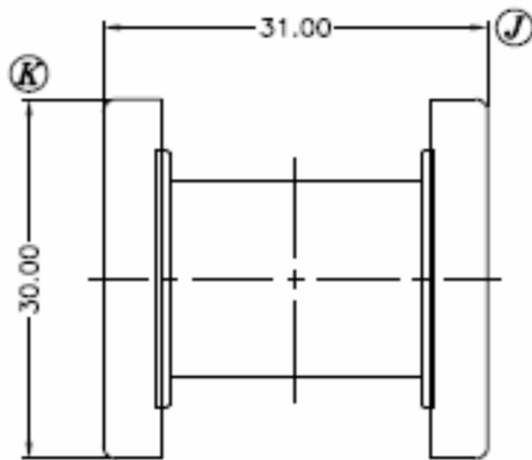
SEC.A-A

Dimensions in mm

Tolerances: 0<L≤4 ±0.2; 4<L≤16 ±0.3; 16<L≤63 ±0.4		Pin Pitch: ± 0.2	UL Molder Certification: E163831
Country of Origin: China	RoHS Certified: YES	Title: BOBBIN EFD30 12 PIN 33.5 ROW SPACING	
Bobbin Material: Sumitomo PM9620		Drawing Number: BEFD30-1112CP-P-3.7 P-3016	
UL File: E41429	UL Rec: 94-V0	P-3016-P3.7	Pin Material: CP
MH&W International Corp Phone 201-891-8800 Email: sales@mhw-intl.com		Pin Tension: 1.5Kgm min	Finish: matte Sn
		Part Number: BEFD30-1112CP-P-3.7 P-3016	

BEFD30-1112CP-P-P4.0

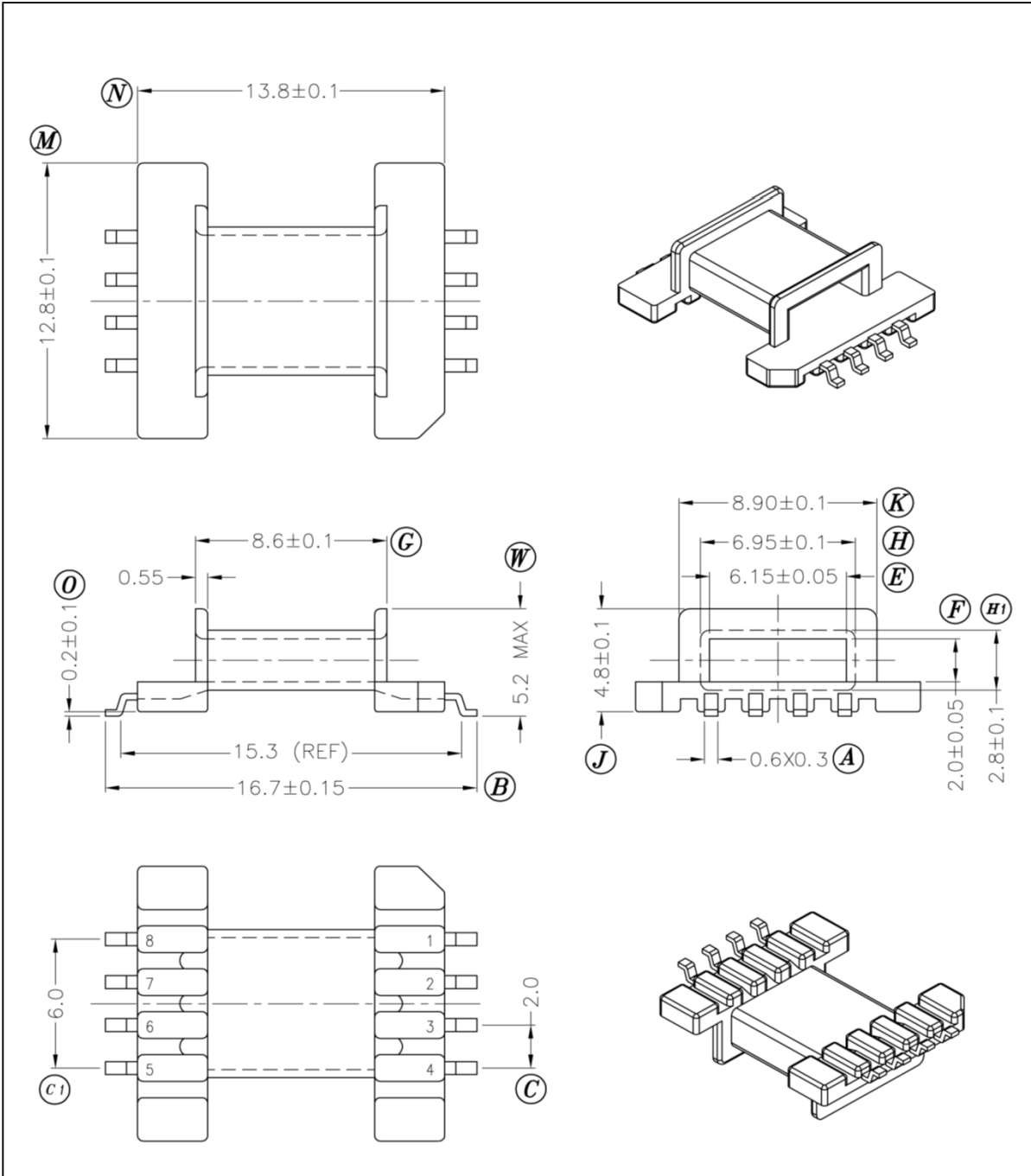
Revisions			
-	2013/04/01	Initial Issue	gvs
R1	2017/09/19	Updated tolerances, part Description	gvs



Pin Pitch tolerance: ± 0.3		Dimensions in mm	
Inventory Number: P-3004-2-P4.0		Tolerances: $0 < L \leq 4 \pm 0.2$; $4 < L \leq 16 \pm 0.3$; $16 < L \leq 63 \pm 0.4$	
Country of Origin: China	RoHS Certified: YES	UL Molder Certification: E163831	
Bobbin Material: Sumitomo PM9630		Drawing Number: BEFD30-1112CP-P-P4.0-R1	
UL File: E41429	UL Rec: 94-V0	Pin Material: Steel Wire (CP)	
MH&W International Corp Phone 201-891-8800 Email: sales@mhw-intl.com		Pin Tension: 1.5Kgm min	Finish: MATTE Sn
		Part Number: BEFD30-1112CP-P-P4.0	

BEM12.7/13.7-118GADS-P

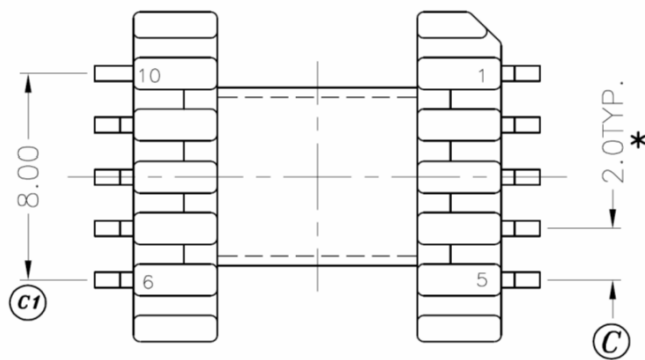
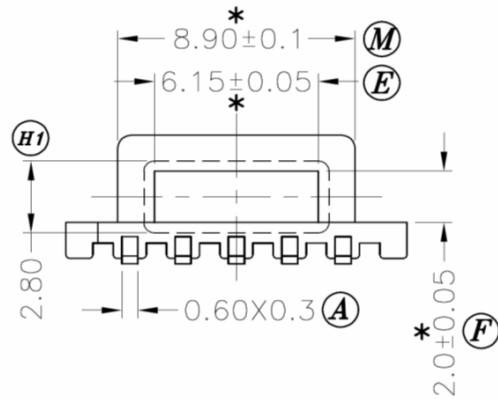
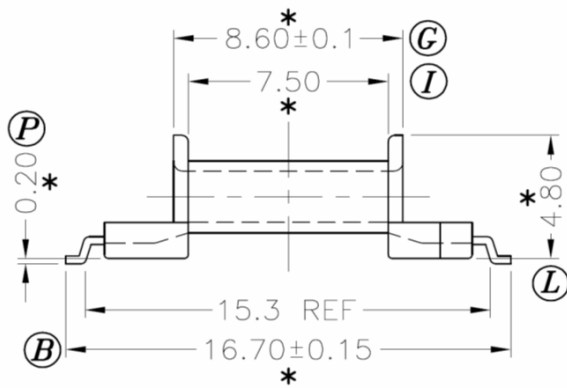
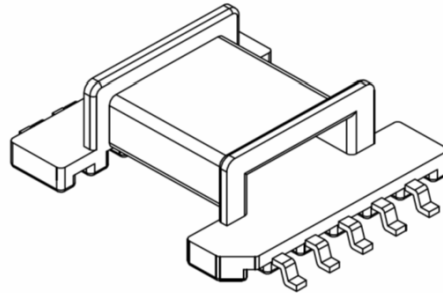
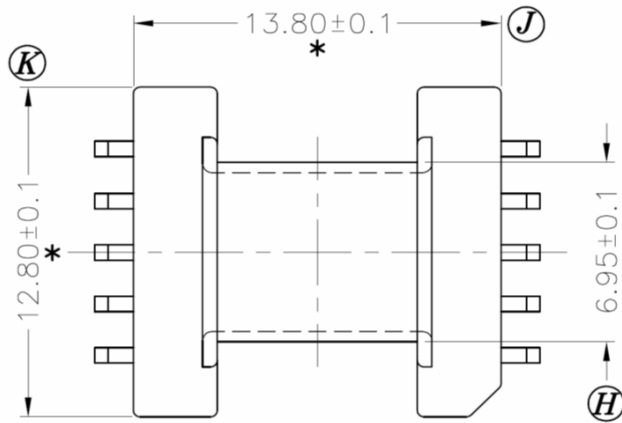
Revisions	
1	Added country of origin & RoHS



Dimensions in mm

Country of Origin: China	RoHS Certified: YES		
Bobbin Material: Sumitomo PM9630		Drawing Number: BEM12.7/13.7-118GADS-P-1	
UL File: E41429	UL Rec: 94-V0	S-1207-1	Pin Material: Phosphor Bronze (DS)
MH&W International Corp		Phone	Pin Tension: 1.0Kgm min
201-891-8800 Email: sales@mhw-intl.com			Finish: e3 (JEDEC)
Part Number: BEM12.7/13.7-118GADS-P			

BEM12.7/13.7-L110GADS-P

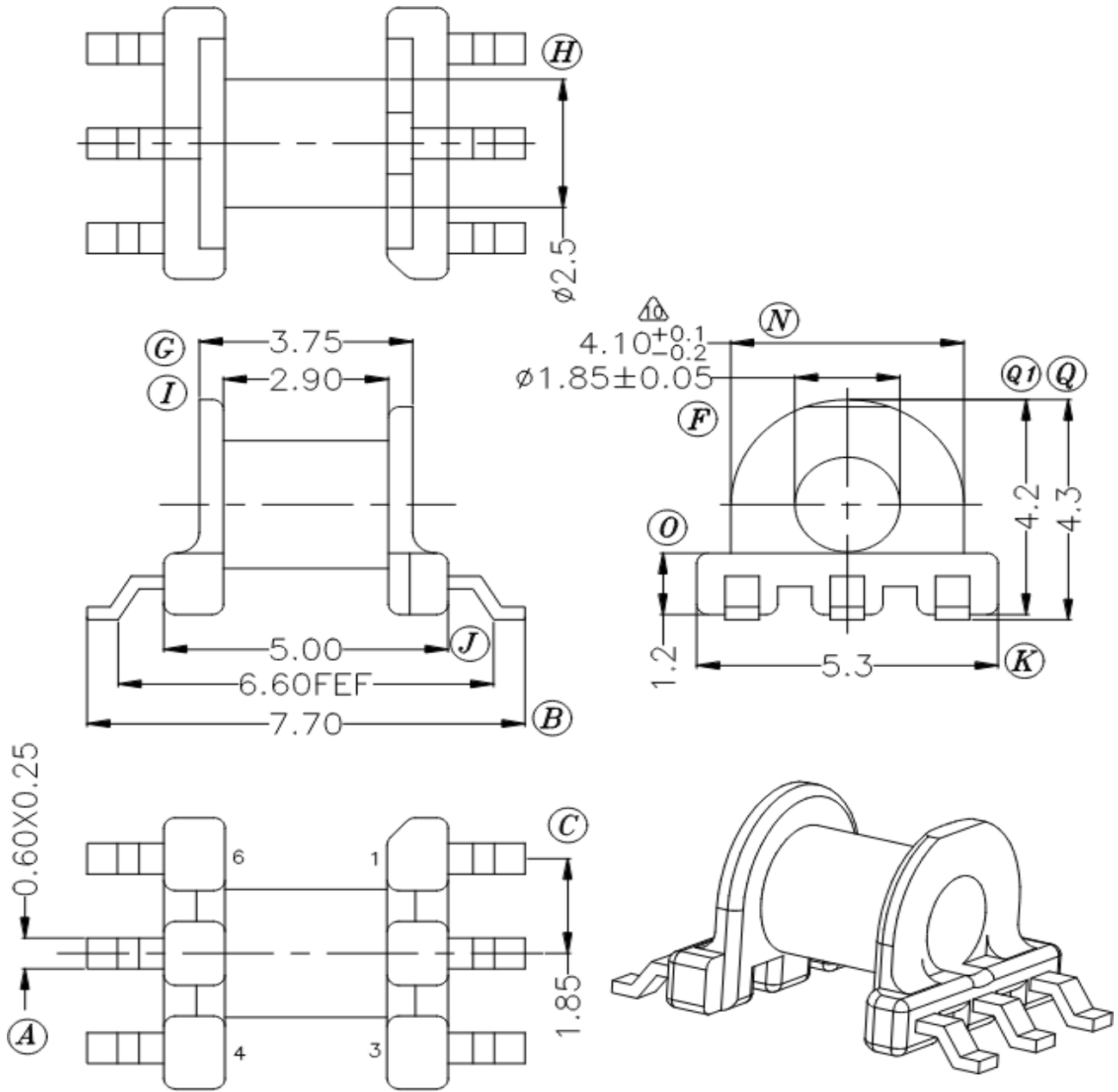


Dimensions in mm

Country of Origin: China	RoHS Certified: YES	Molder UL Certification: E163831
Bobbin Material: Sumitomo E4008 (k) (LCP)	Drawing Number: BEM12.7_13.7-L110GADS-P	
UL File: E54705	UL Rec: 94-V0	S-1208
Pin Material: Phosphor Bronze (DS)		Pin Tension: 1.0Kgm min
Finish: Sn		Part Number: BEM12.7/13.7-L110GADS-P
MH&W International Corp Phone 201-891-8800 Email: sales@mhw-intl.com		

BEP05-116GADS-P

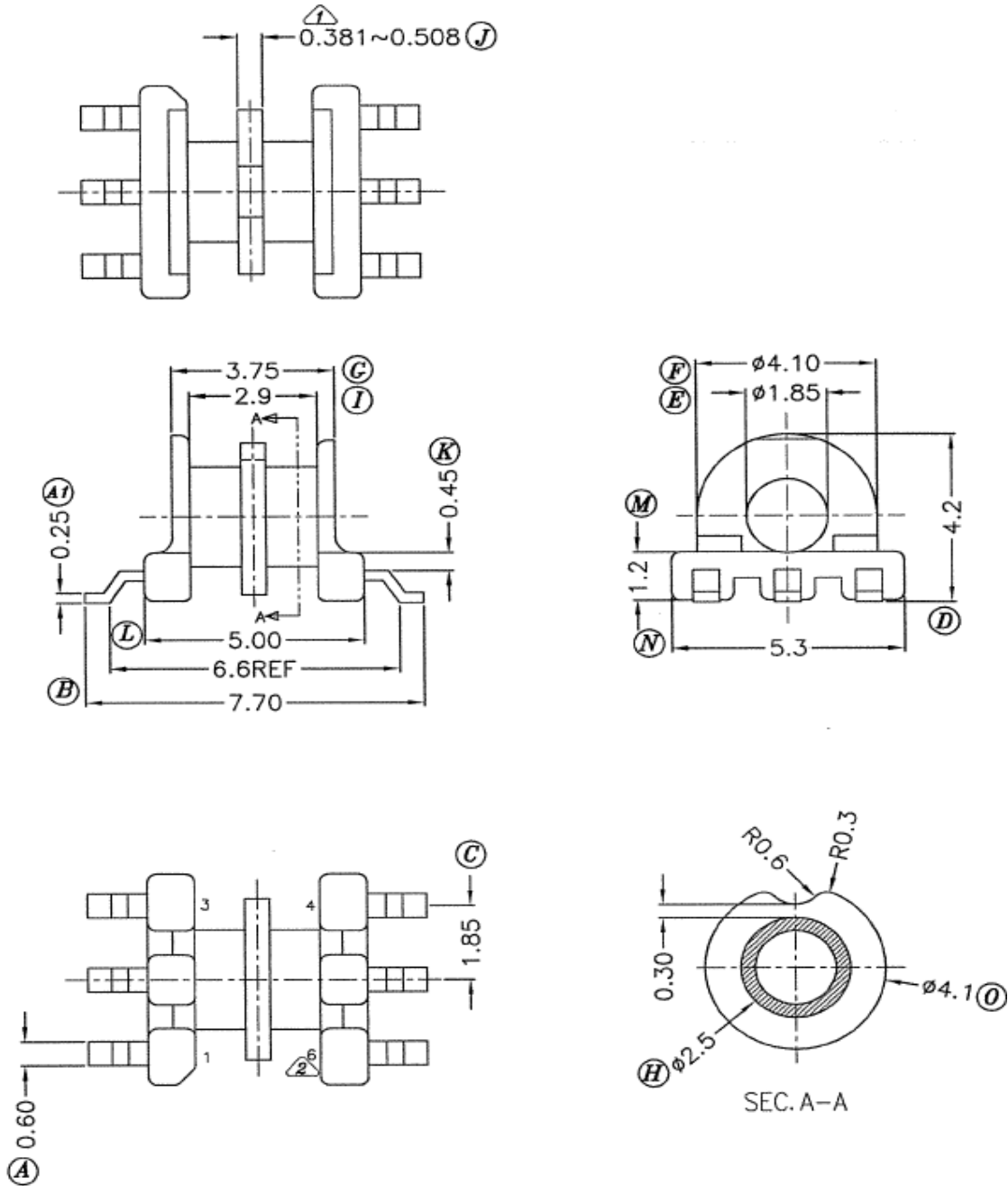
REV	DATE	DESCRIPTION	BY
-	2025/12/08	INITIAL ISSUE	dr



Tolerances: 0<L≤4 ±0.2; 4<L≤16 ±0.3; 16<L≤63 ±0.4		Pin Pitch: ± 0.2	Dimensions in mm
Country of Origin: China	RoHS Certified: YES	Title: SMD BOBBIN EP-5 1 SECTION	
UL Molder Certification: E163831		Drawing Number: BEP05-116GADS-P	
Bobbin Material: PM9630		Pin Material: C5191 Phosphr Bronze (DS)	
UL File: E41429	UL Rec: 94-V0	S-507	Pin Tension: 1.0 Kg min.
Finish: Tin		Part Number: BEP05-116GADS-P	
MH&W International Corp Phone 201-891-8800 Email: sales@mhw-intl.com			

BEP05-126GADS-P

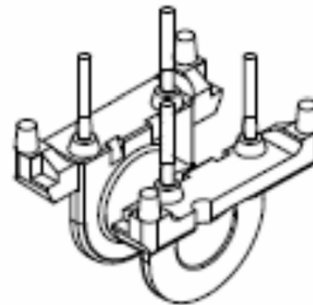
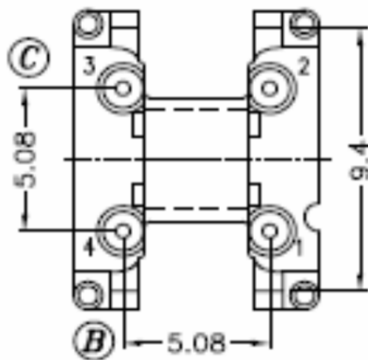
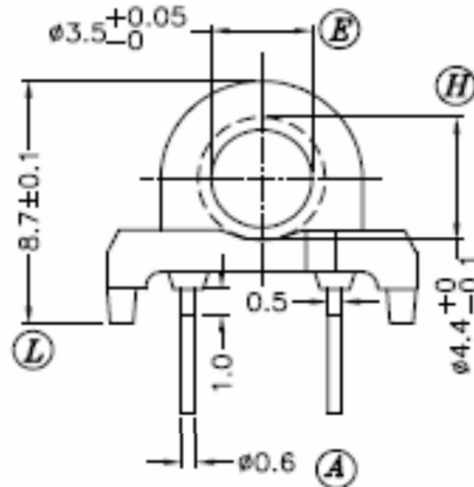
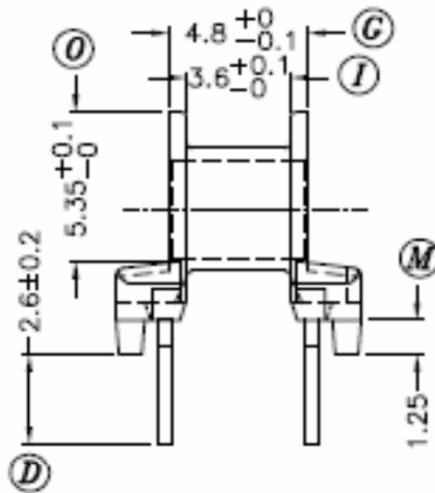
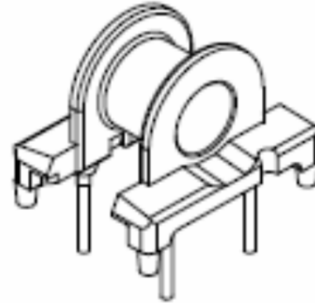
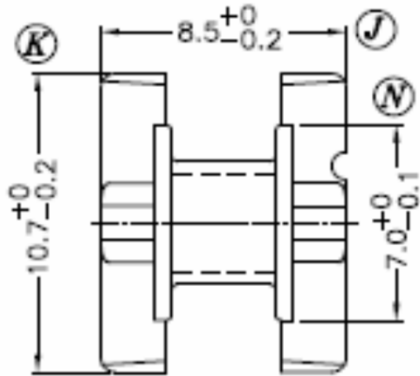
REV	DATE	DESCRIPTION	BY
-	2023/02/10	INITIAL ISSUE	dr



Tolerances: $0 < L \leq 4 \pm 0.2$; $4 < L \leq 16 \pm 0.3$; $16 < L \leq 63 \pm 0.4$		Pin Pitch: ± 0.2	Dimensions in mm
Country of Origin: China	RoHS Certified: YES	Title: SMD BOBBIN EP-5 2 SECTION	
UL Molder Certification: E163831		Drawing Number: BEP05-126GADS-P	
Bobbin Material: PM9630		Pin Material: C5191 Phosphor Bronze (DS)	
UL File: E41429	UL Rec: 94-V0	S-511	Pin Tension: 1.0 Kg min.
Finish: Tin		Part Number: BEP05-126GADS-P	
MH&W International Corp Phone 201-891-8800 Email: sales@mhw-intl.com			

BEP07-114CP-P-P2.6

Revisions			
-	2017/09/14	INITIAL ISSUE	gvs

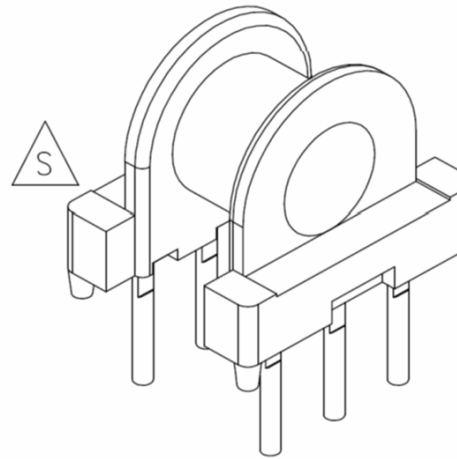
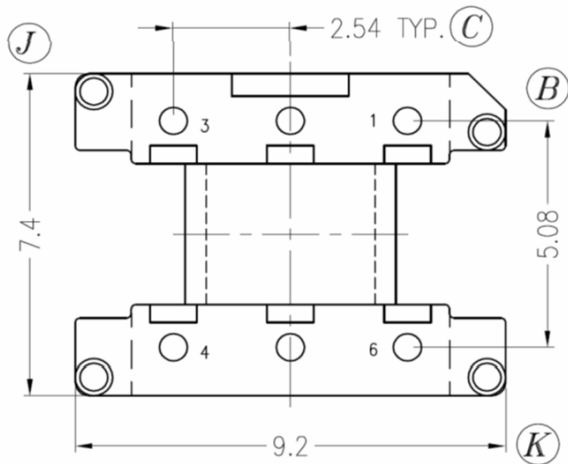
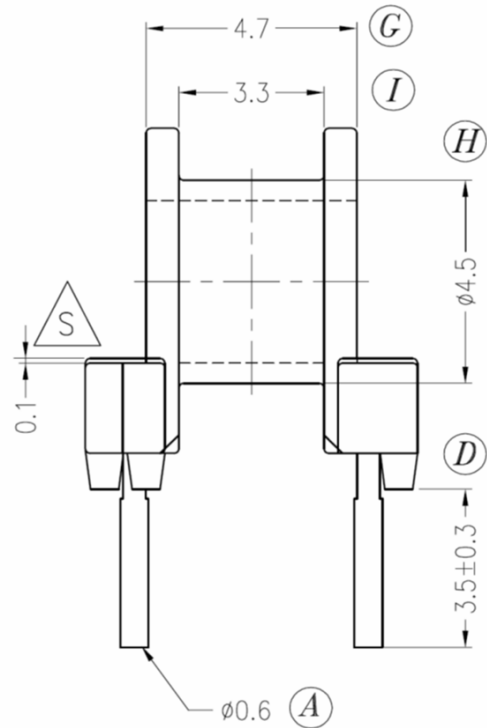
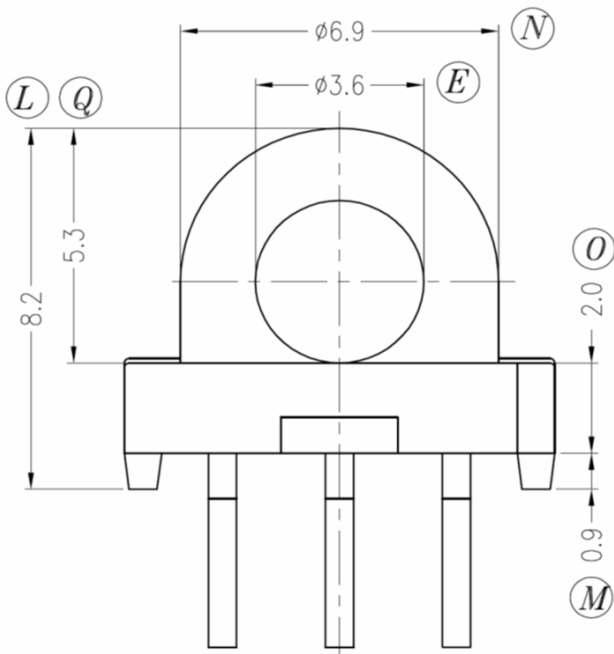


Dimensions in mm

Tolerances: 0<L≤4 ±0.2; 4<L≤16 ±0.3; 16<L≤63 ±0.4		Pin Pitch: ± 0.2	
Country of Origin: China		RoHS Certified: YES	
Bobbin Material: Phenolic Sumitomo PM9630		UL Molder Certification: E163831	
UL File: E41429		Drawing Number: BEP07-114CP-P-P2.6	
UL Rec: 94-V0		Pin Material: STEEL WIRE (CP)	
P-707-P2.6		Pin Tension: > 0.9 Kgm	
Finish: Matte Sn		Part Number: BEP07-114CP-P-P2.6	
MH&W International Corp Phone 201-891-8800 Email: sales@mhw-intl.com			

BEP07-116CP-P

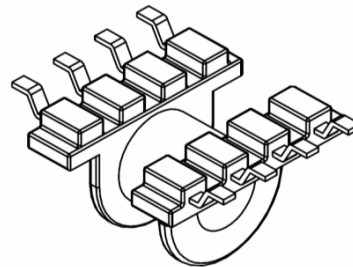
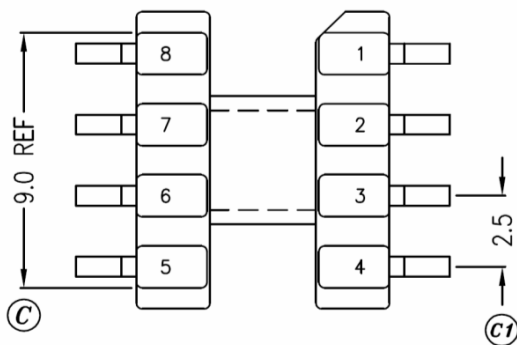
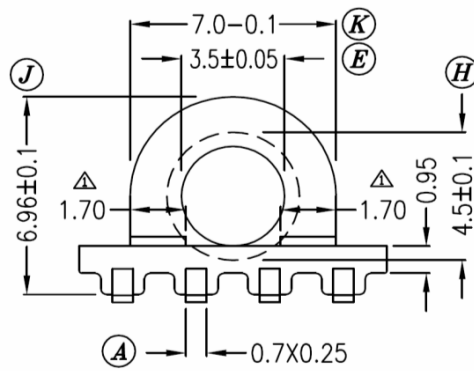
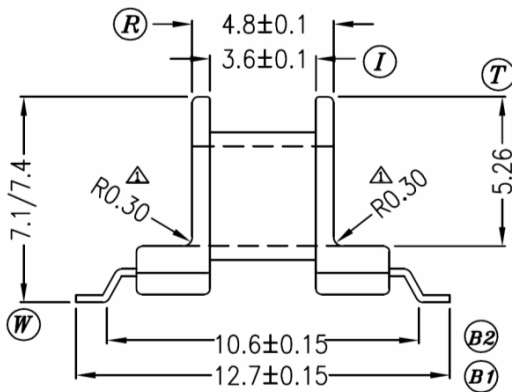
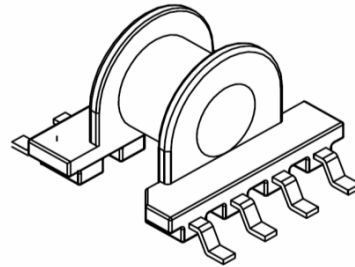
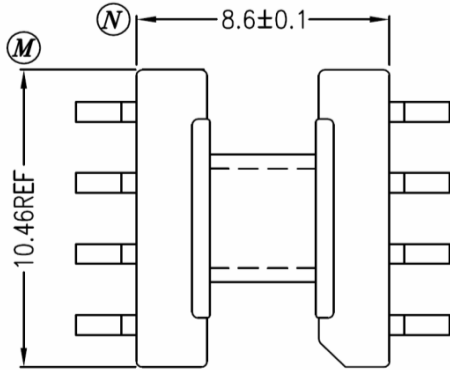
Revisions			
-	2013/04/01	Initial Issue	gvs
R1	2017/11/02	Updated tolerances, part Description	gvs



Dimensions in mm

Tolerances: 0<L≤4 ±0.2; 4<L≤16 ±0.3; 16<L≤63 ±0.4		Pin Pitch tolerance: ±0.3	
Country of Origin: China	RoHS Certified: YES	UL Molder Certification: E163831	
Bobbin Material: Sumitomo PM9630		Drawing Number: BEP07-116CP-P-R1	
UL File: E41429	UL Rec: 94-V0	P-701	Pin Material: STEEL WIRE (CP)
MH&W International Corp Phone 201-891-8800 Email: sales@mhw-intl.com		Pin Tension: 0.7 Kgm min	
		Finish: matte Sn	
		Part Number: BEP07-116CP-P	

BEP07-118GADS-P

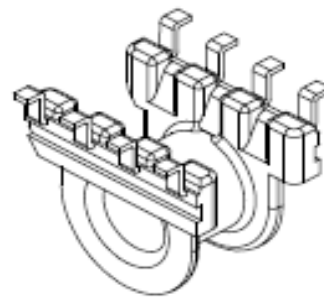
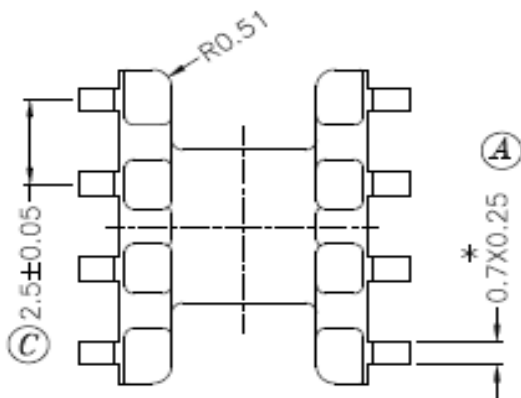
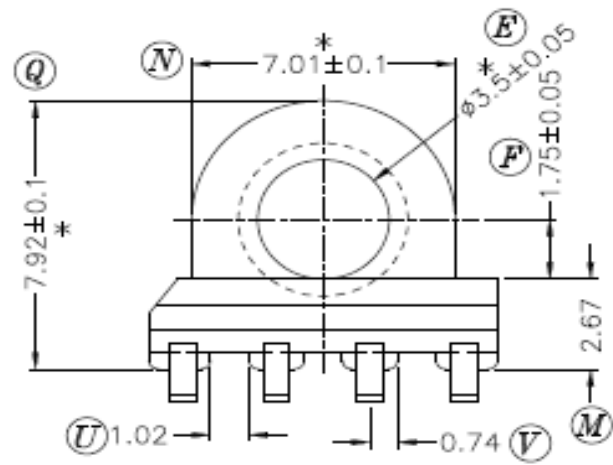
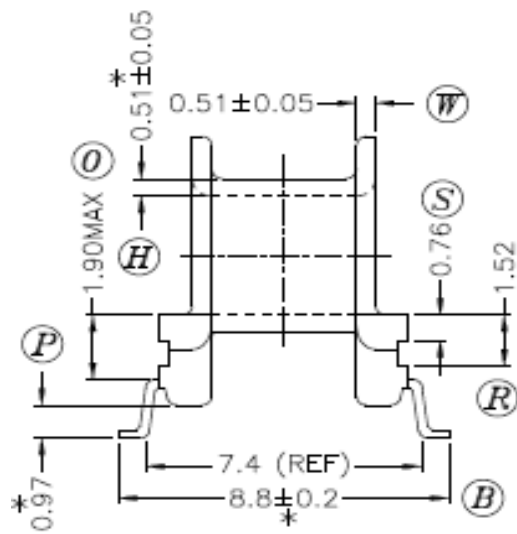
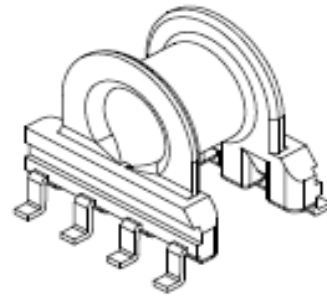
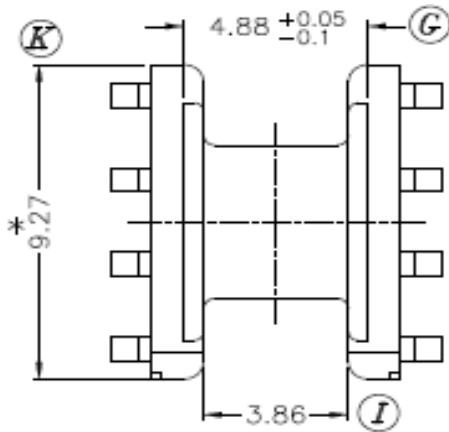


Dimensions in mm

Country of Origin: China	RoHS Certified: YES	UL Molder Certification: E163831
Bobbin Material: Sumitomo PM9630		Drawing Number: BEP07-118GADS-P
UL File: E41429	UL Rec: 94-V0	S-708
Pin Material: Phosphor Bronze (DS)		Pin Tension: 1.0Kgm min
Finish: Tin		Part Number: BEP07-118GADS-P
MH&W International Corp Phone 201-891-8800 Email: sales@mhw-intl.com		

BEP07-118GADS-P-1

REV	DATE	COMMENTS	BY
-	2025/05/29	Initial Issue	dr



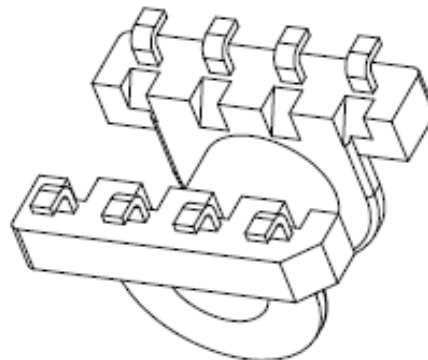
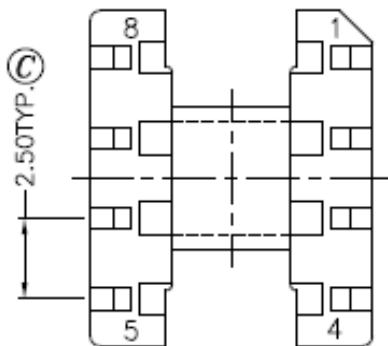
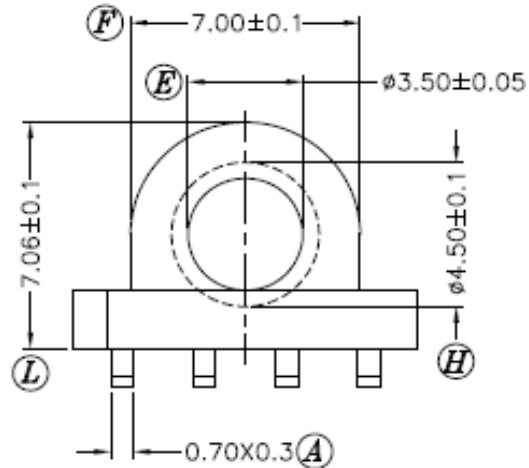
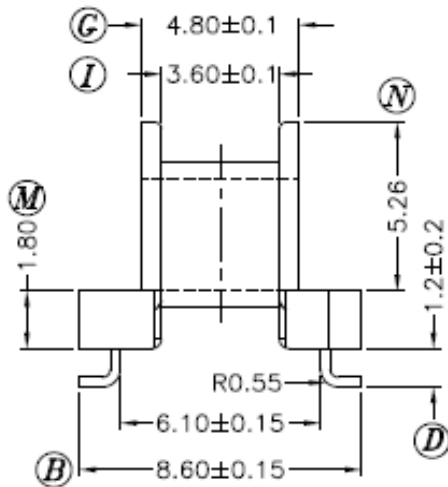
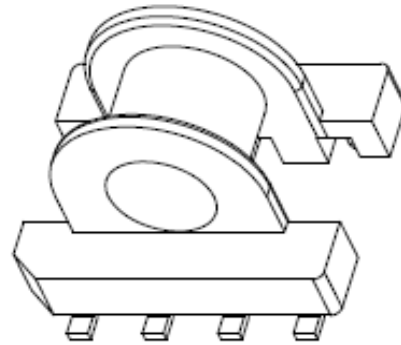
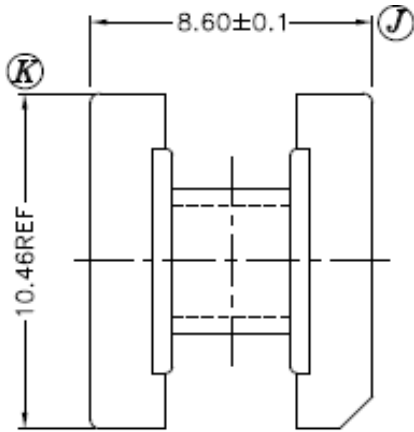
標注*尺寸為重點管控尺寸

Dimensions in mm

Tolerances: 0<L≤4 ±0.2: 4<L≤16 ±0.3: 16<L≤63 ±0.4		Pin Pitch tolerance: ±0.3: Coplanarity 0.2 max	
Country of Origin: China	RoHS Certified: YES	UL MOLDER CERTIFICATION: E163831	
Bobbin Material: Sumitomo PM9630		Drawing Number: BEP07-118GADS-P-1	
UL File: E41429	UL Rec: 94-V0	S-705-1	Pin Material: Phospher Bronze
MH&W International Corp Phone 201-891-8800 Email: sales@mhw-intl.com		Pin Tension: 1.5Kgm min	Finish: MATTE Sn
		Part Number: BEP07-118GADS-P-1	

BEP07-118JDS-P

REV	DATE	DESCRIPTION	BY
-	2017/10/16	Initial Issue	gvs
1	2022/09/29	Added Pin Bend Radius R0.55 To Pins	dr

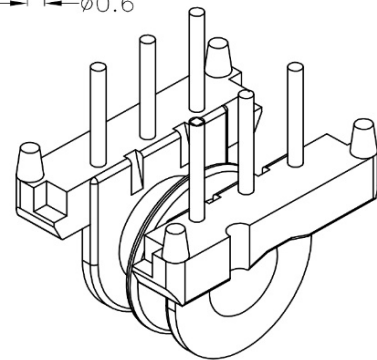
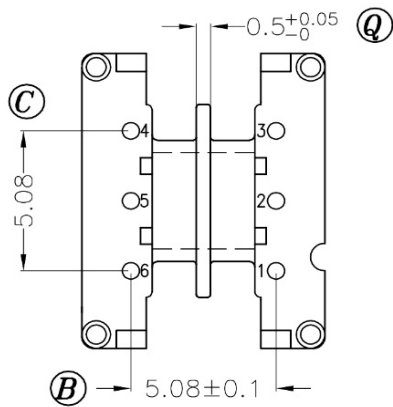
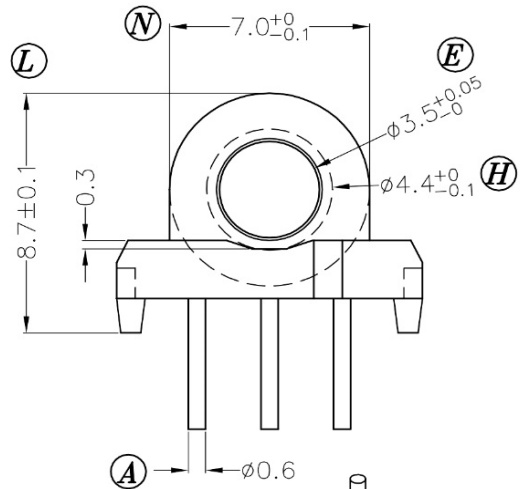
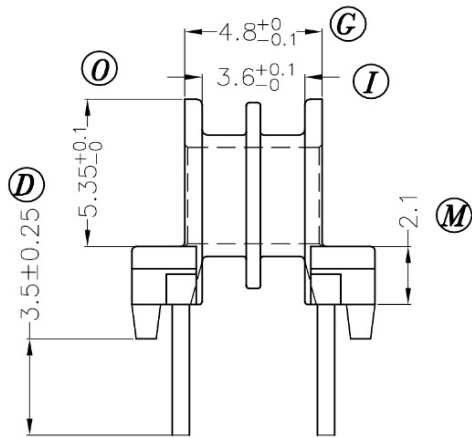
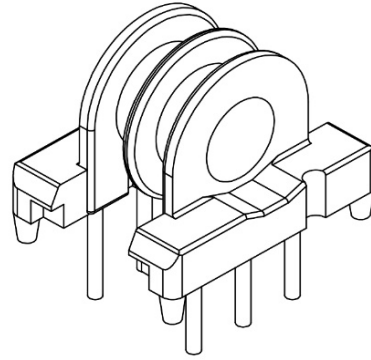
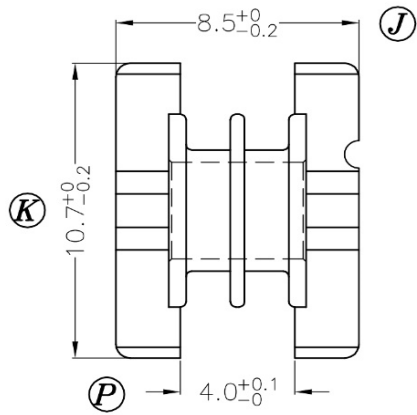


Dimensions in mm

Tolerances: $0 < L \leq 4 \pm 0.2$; $4 < L \leq 16 \pm 0.3$; $16 < L \leq 63 \pm 0.4$		Pin Pitch tolerance: ± 0.3 ; Coplanarity ± 0.3	
Country of Origin: China		RoHS Certified: YES	
UL File: E41429		UL Molder Certification: E163831	
UL Rec: 94-V0		Drawing Number: BEP07-118JDS-P	
S-713		Pin Material: Phosphor Bronze (DS)	
MH&W International Corp Phone 201-891-8800 Email: sales@mhw-intl.com		Pin Tension: 1.0Kgm min	Finish: MATTE Sn
		Part Number: BEP07-118JDS-P	

BEP07-126CP-P

Revisions			
-	2017/11/02	Initial Issue	gvs

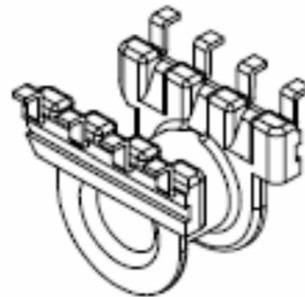
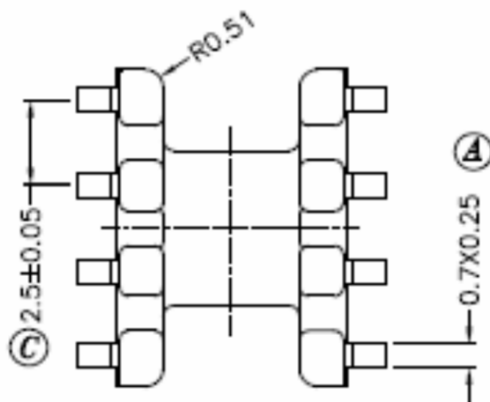
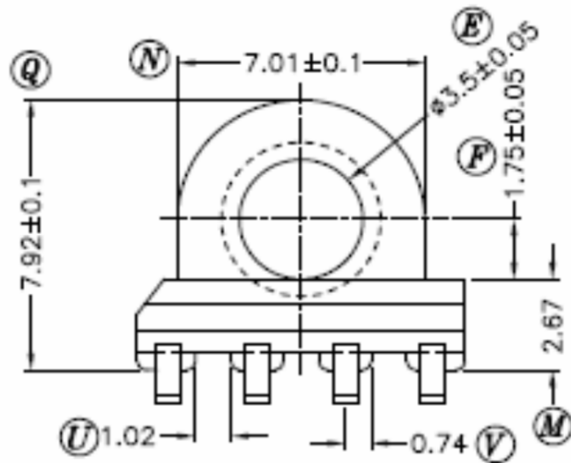
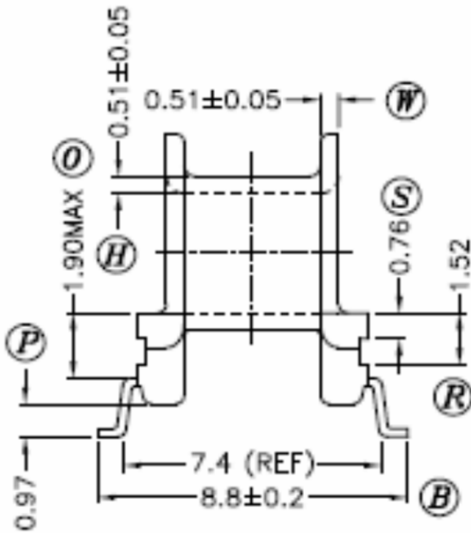
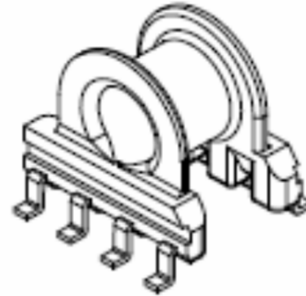
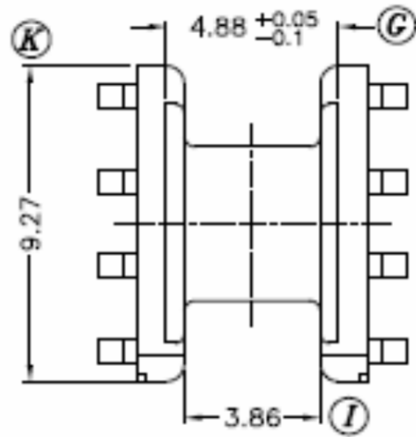


Dimensions in mm

Tolerances: 0<L≤4 ±0.2; 4<L≤16 ±0.3; 16<L≤63 ±0.4		Pin Pitch tolerance: ±0.3	
Country of Origin: China	RoHS Certified: YES	UL Molder Certification: E163831	
Bobbin Material: Sumitomo PM9630		Drawing Number: BEP07-126CP-P	
UL File: E41429	UL Rec: 94-V0	P-710-2	Pin Material: STEEL WIRE (CP)
MH&W International Corp		Pin Tension: 0.7 Kgm min	Finish: matte Sn
Phone 201-891-8800 Email: sales@mhw-intl.com		Part Number: BEP07-126CP-P	

BEP07-918GADS-P

Revisions			
-	2017/09/19	Initial Issue	gvs

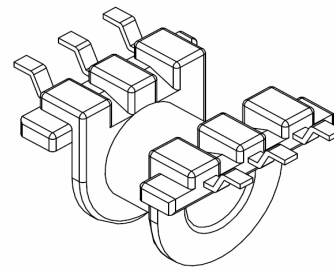
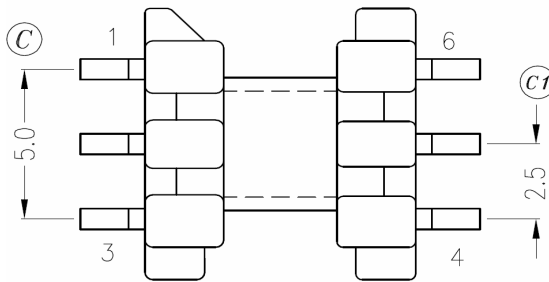
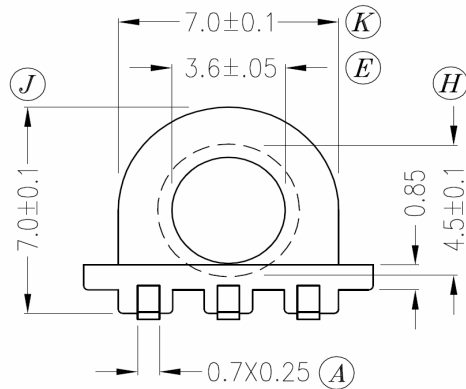
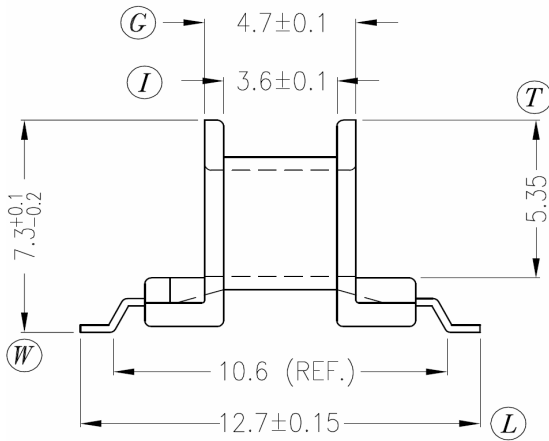
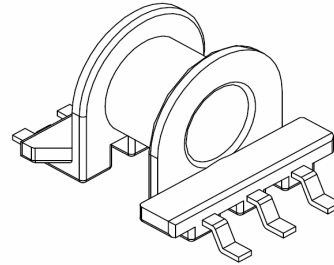
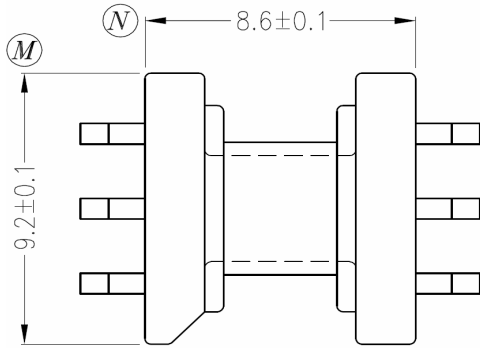


Dimensions in mm

Tolerances: 0<L≤4 ±0.2; 4<L≤16 ±0.3; 16<L≤63 ±0.4		Pin Pitch tolerance: ±0.3; Coplanarity 0.2 max	
Country of Origin: China	RoHS Certified: YES	UL MOLDER CERTIFICATION: E163831	
Bobbin Material: DAP Sumitomo AM113		Drawing Number: BEP07-918GADS-P	
UL File: E41429	UL Rec: 94-V0	S-705	Pin Material: Phospher Bronze
MH&W International Corp Phone 201-891-8800 Email: sales@mhw-intl.com		Pin Tension: 1.5Kgm min	
		Finish: MATTE Sn	
		Part Number: BEP07-918GADS-P	

BEP07-L16GADS-01-P

REV	DATE	DESCRIPTION	BY
-	2025/12/01	INITIAL ISSUE	dr

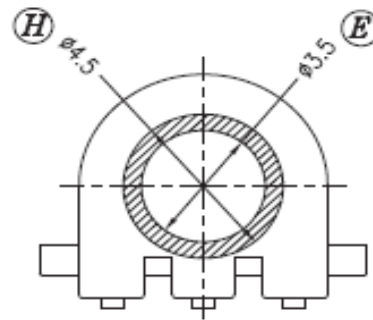
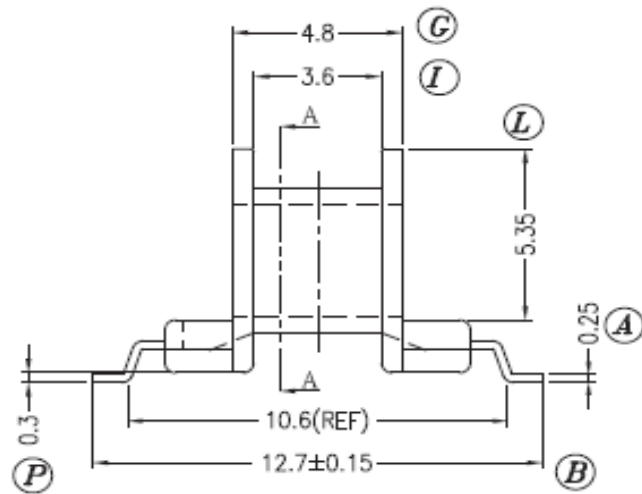
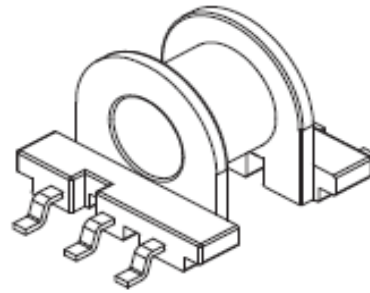
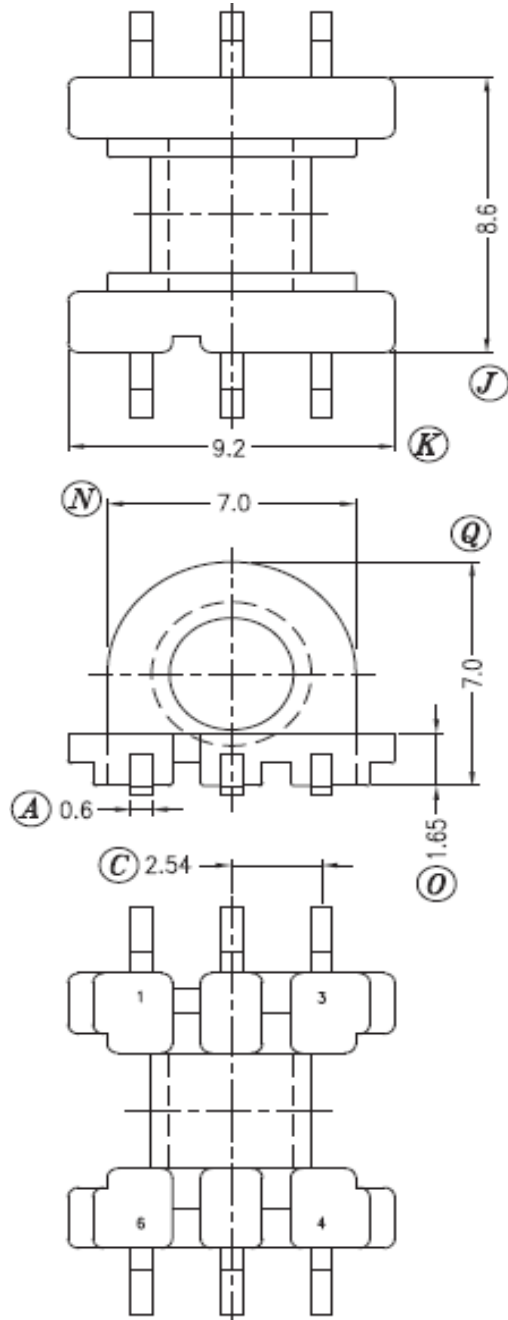


Dimensions in mm

Country of Origin: China	RoHS Certified: YES	UL Molder Certification: E163831
Bobbin Material: Sumitomo E4008 (k) (LCP)	Drawing Number: BEP07-L16GADS-01-P	
UL File: E54705	UL Rec: 94-V0	S-701-1
Pin Material: Phospher Bronze (DS)		Pin Tension: 1.0Kg min
Finish: Tin		Part Number: BEP07-L16GADS-01-P
MH&W International Corp 201-891-8800 Email: sales@mhw-intl.com		Phone

BEP07-L16GADS-P

REV	DATE	DESCRIPTION	BY
-	2025/12/01	INITIAL ISSUE	dr



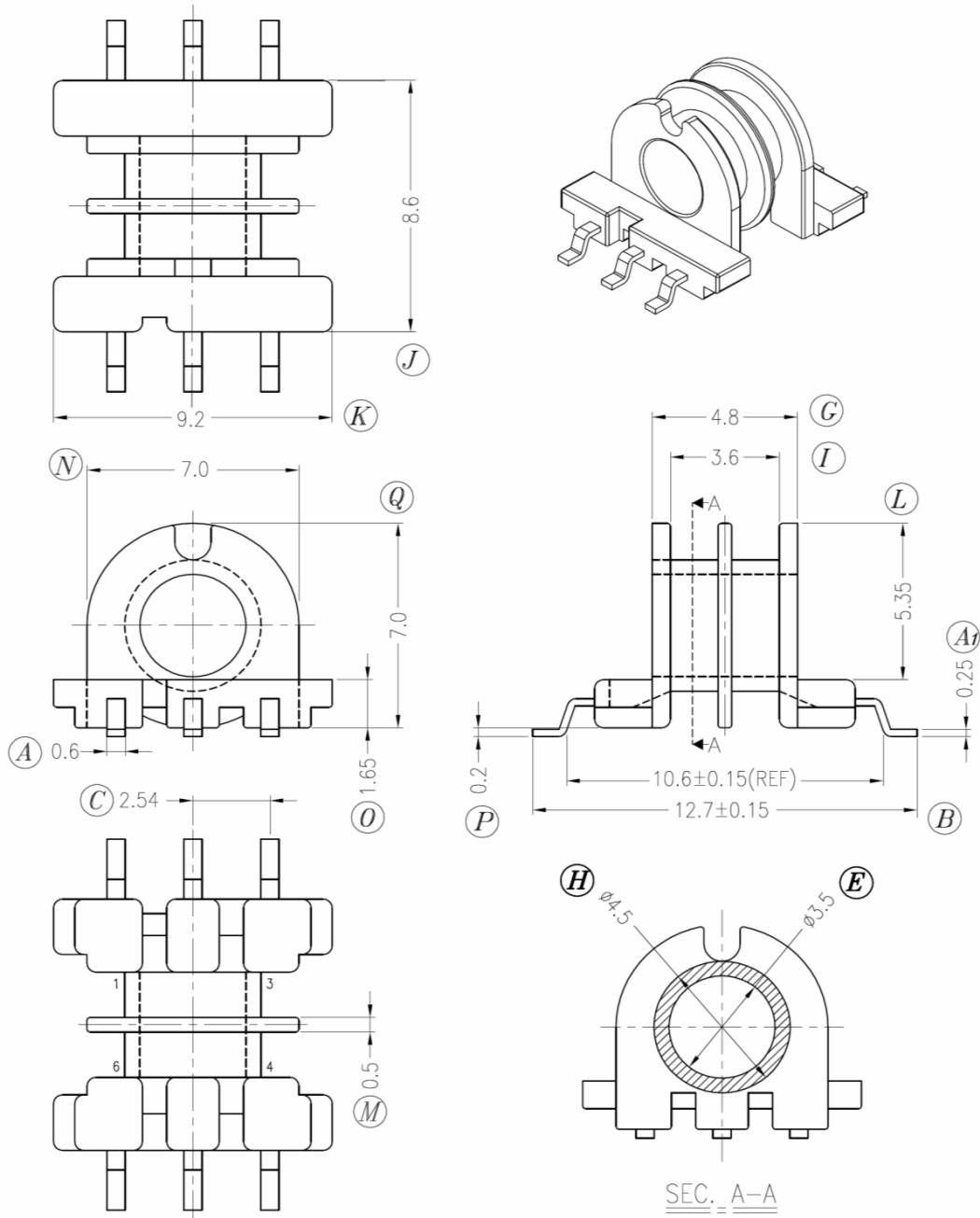
SEC. A-A

Dimensions in mm

Country of Origin: China	RoHS Certified: YES	Drawing Number: BEP07-L126GADS-P	
Bobbin Material: Sumitomo E4008 (k) (LCP)	UL File: E54705	UL Rec: 94-V0	S-701
MH&W International Corp		Phone	Pin Tension: 0.9 Kg min
201-891-8800 Email: sales@mhw-intl.com		Part Number: BEP07-L16GADS-P	Finish: Tin

BEP07-L26GADS-P

--	--

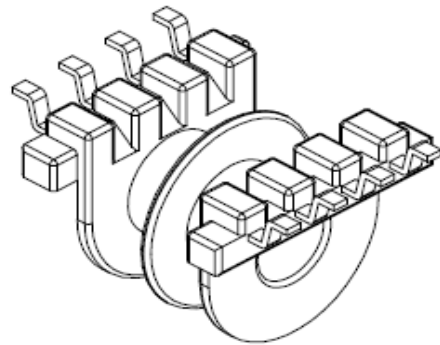
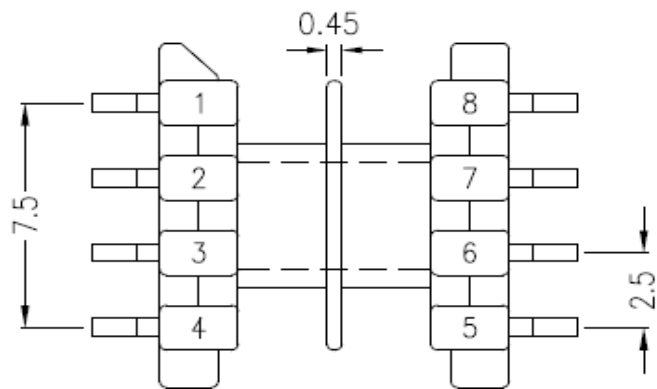
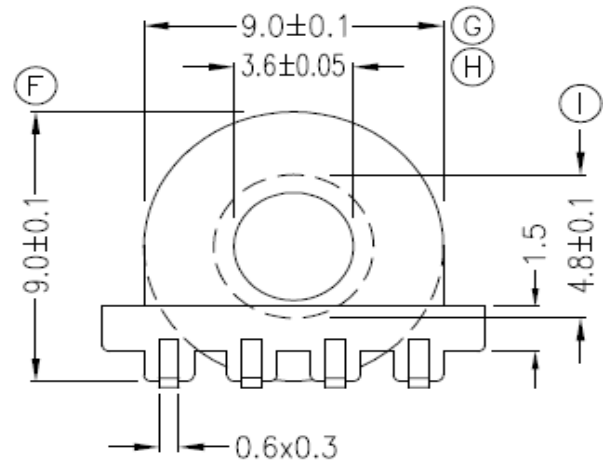
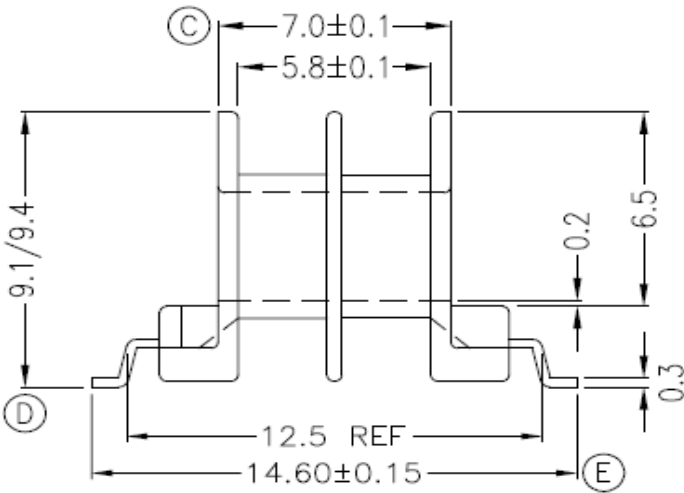
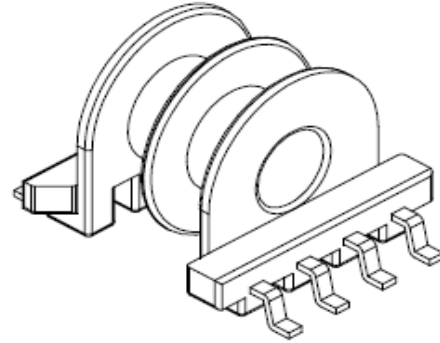
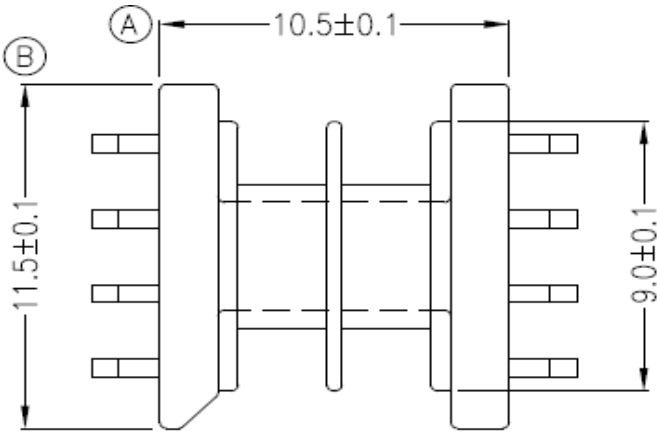


Dimensions in mm

Country of Origin: China	RoHS Certified: YES		
Bobbin Material: Sumitomo E4008 (k) (LCP)		UL File: E54705	UL Rec: 94-V0
		S-702	
MH&W International Corp		Pin Tension: 0.9 Kgm min	Finish: Tin
Phone 201-891-8800 Email: sales@mhw-intl.com		Part Number: BEP07-L26GADS-P	

BEP10-128GADS-P

Revisions			
-	2019/07/23	INITIAL ISSUE	dr

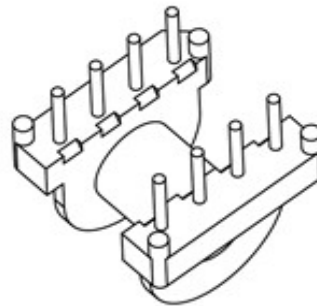
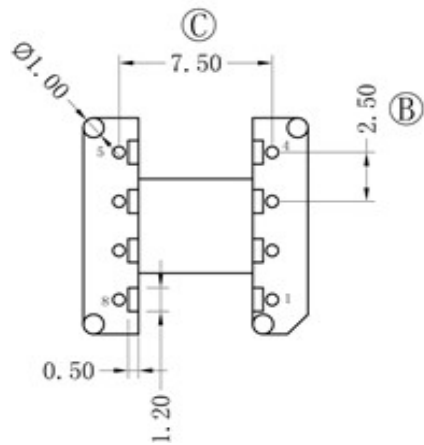
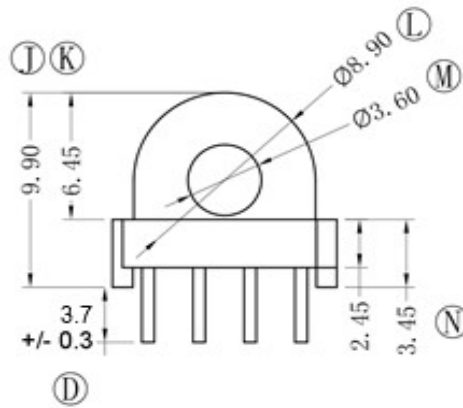
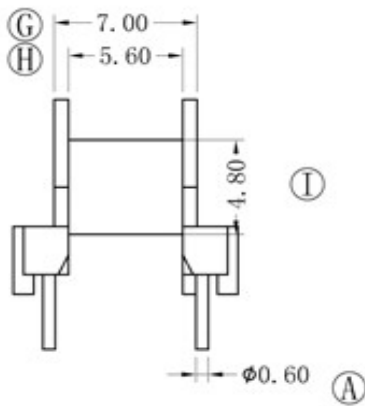
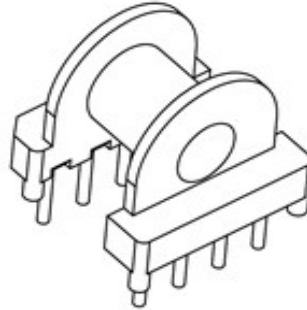
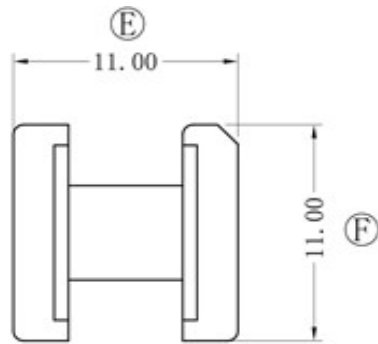


Dimensions in mm

Pin Pitch: ± 0.2		UL Molder Certification: E163831	
Country of Origin: China		RoHS Certified: YES	
Bobbin Material: PHENOLIC PM9630		Tolerances: $0 < L \leq 4 \pm 0.2$; $4 < L \leq 16 \pm 0.3$; $16 < L \leq 63 \pm 0.4$	
UL File: E41429		Drawing Number: BEP10_128GADS_P	
UL Rec: 94-V0		S-1004-1	
Pin Material: PHOSPHOR BRONZE (DS)		Pin Tension: 1.5Kgm min	
Finish: matte Sn		Part Number: BEP10-128GADS-P	
MH&W International Corp Phone 201-891-8800 Email: sales@mhw-intl.com			

BEP10-118CP-MX-P3.7

Revisions			
-	2019/04/10	Initial Issue	dr



Inventory number: MX-1037-1-P3.7

Dimensions in mm

Tolerances: $0 < L \leq 4: \pm 0.2$ $4 < L \leq 16: \pm 0.3$ $16 < L \leq 63: \pm 0.4$

Pin Pitch Tol: ± 0.3 : Pin Length tolerance: ± 0.5

Country of Origin: China RoHS Certified: YES

UL Molder Certification: E315110

Bobbin Material: Phenolic Sumitomo PM9630

Drawing Number: BEP10-118CP-MX-P3.7

UL File: E41429 UL Rec: 94-V0

Pin Material: Steel Wire (CP)

MH&W International Corp

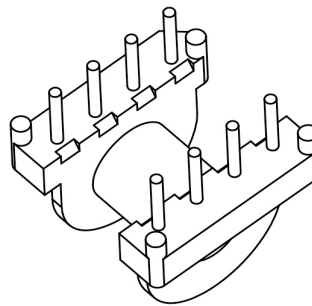
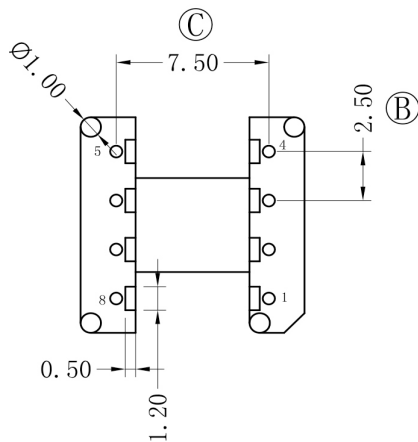
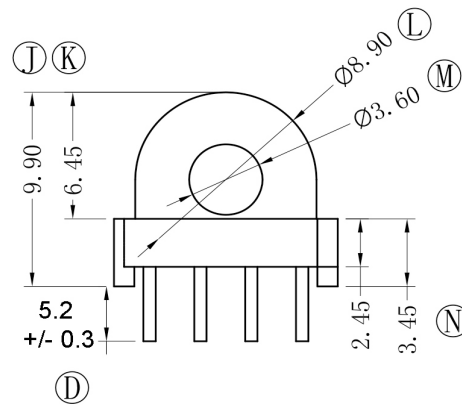
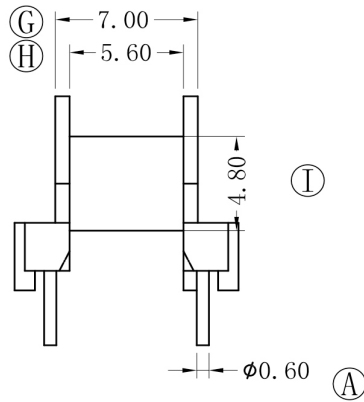
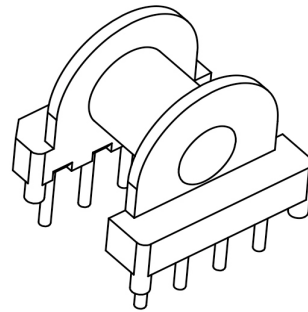
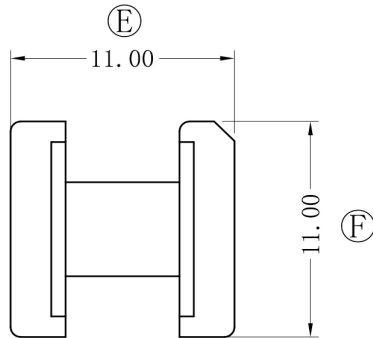
Pin Tension: 1.0Kgm min Pin Plating: CuSn

Phone 201-891-8800 Email: sales@mhw-intl.com

Part Number: BEP10-118CP-MX-P3.7

BEP10-118CP-MX-P5.2

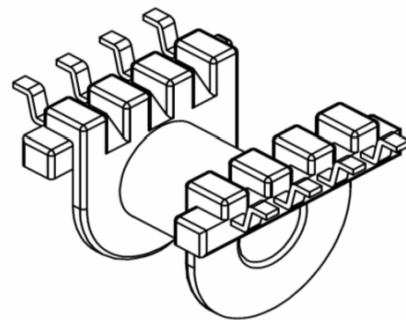
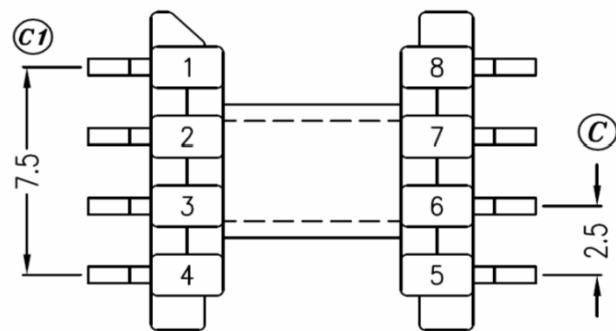
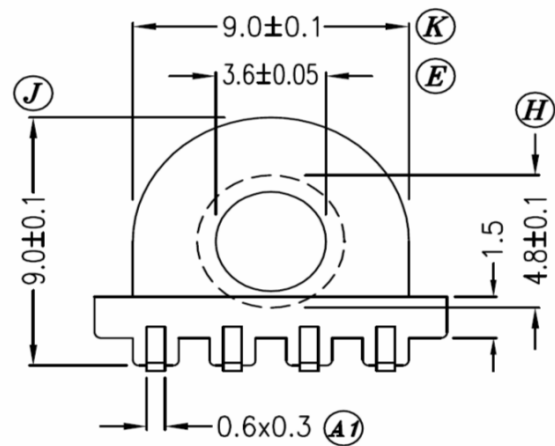
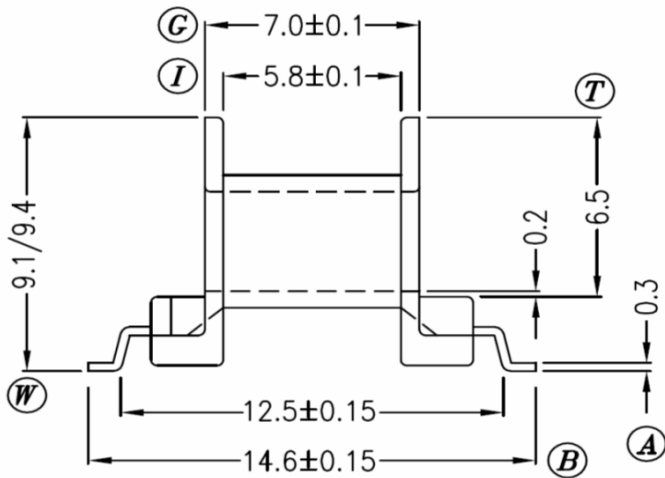
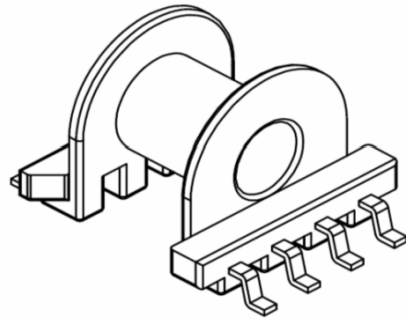
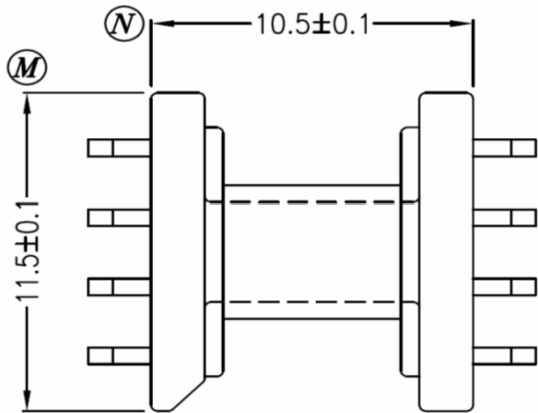
Revisions			
-	2017/10/26	Initial Issue	gvs
1	2019/01/09	Corrected p/n to include "CP"	dr



Inventory number: MX-1037-1-P5.2		Dimensions in mm	
Tolerances: 0 < L ≤ 4: ±0.2 4 < L ≤ 16: ±0.3 16 < L ≤ 63: ±0.4		Pin Pitch Tol: ±0.3: Pin Length tolerance: ±0.5	
Country of Origin: China	RoHS Certified: YES	UL Molder Certification: E315110	
Bobbin Material: Phenolic Sumitomo PM9630		Drawing Number: BEP10-118CP-MX-P5.2	
UL File: E41429	UL Rec: 94-V0	Pin Material: Steel Wire (CP)	
MH&W International Corp Phone 201-891-8800 Email: sales@mhw-intl.com		Pin Tension: 1.0Kgm min	Pin Plating: CuSn
		Part Number: BEP10-118CP-MX-P5.2	

BEP10-118GADS-P

Revisions			
-	2015/08/01	Initial Release	gvs

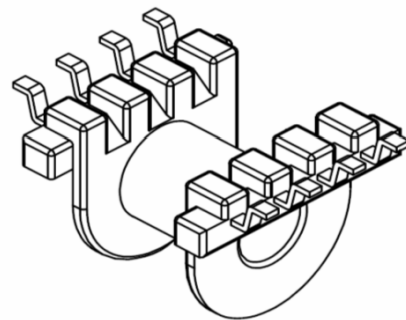
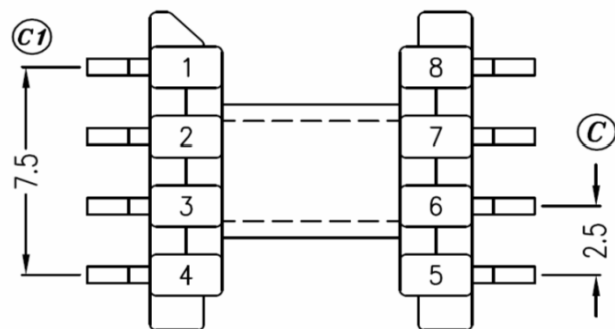
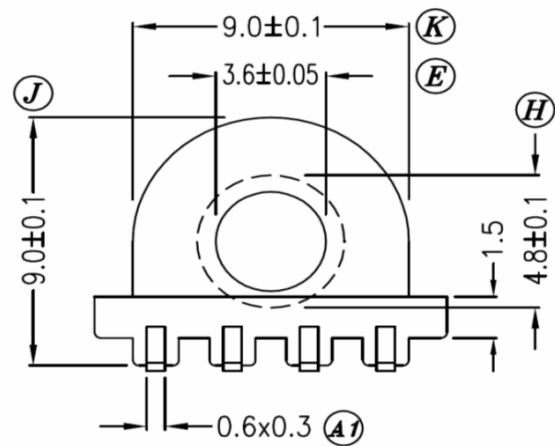
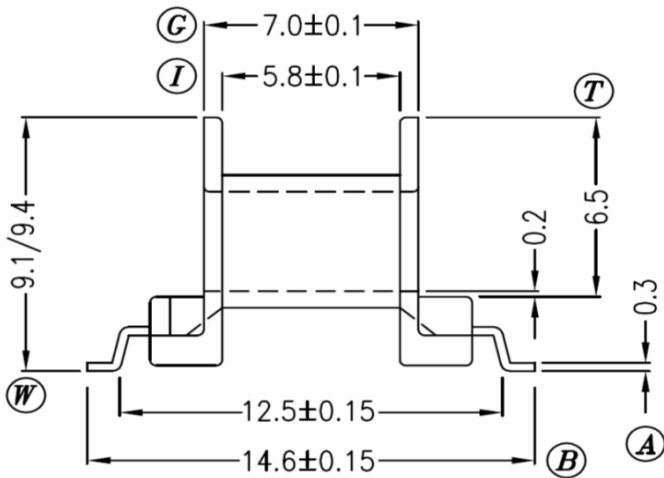
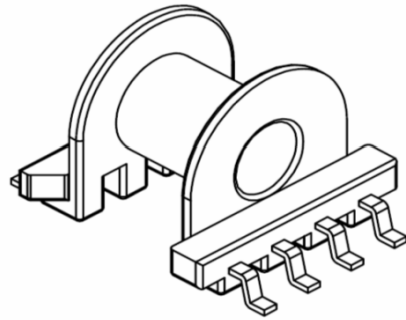
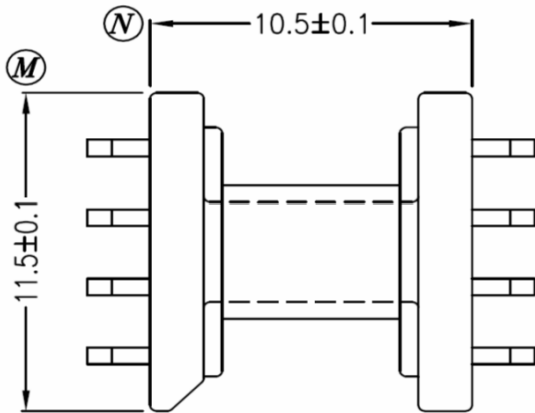


Dimensions in mm

Coplanarity: 0.2 max: Pin Pitch ± 0.3		UL Molder Certification: E163831	
Country of Origin: China	RoHS Certified: YES	Tolerances: $0 < L \leq 4 \pm 0.2$; $4 < L \leq 16 \pm 0.3$; $16 < L \leq 63 \pm 0.4$	
Bobbin Material: PHENOLIC Sumitomo PM9630		Drawing Number: BEP10-118GADS-P	
UL File: E41429	UL Rec: 94-V0	S-1001-2	Pin Material: Phosphor Bronze (DS)
MH&W International Corp		Pin Tension: 1.0 Kgm min	Finish: matte Sn
Phone 201-891-8800 Email: sales@mhw-intl.com		Part Number: BEP10-118GADS-P	

BEP10-L18GADS-P

Revisions			
-	2015/08/01	Initial Release	gvs

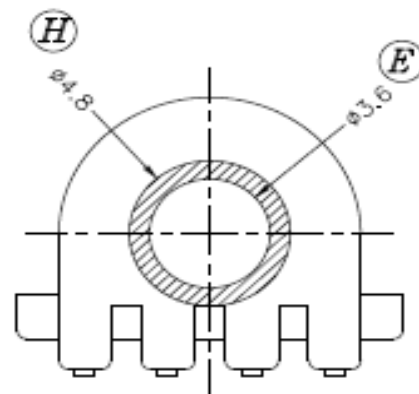
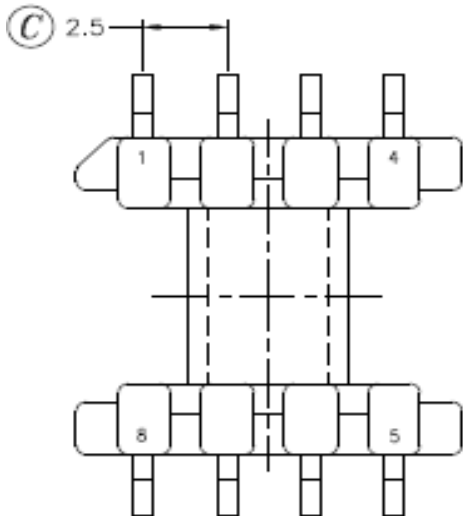
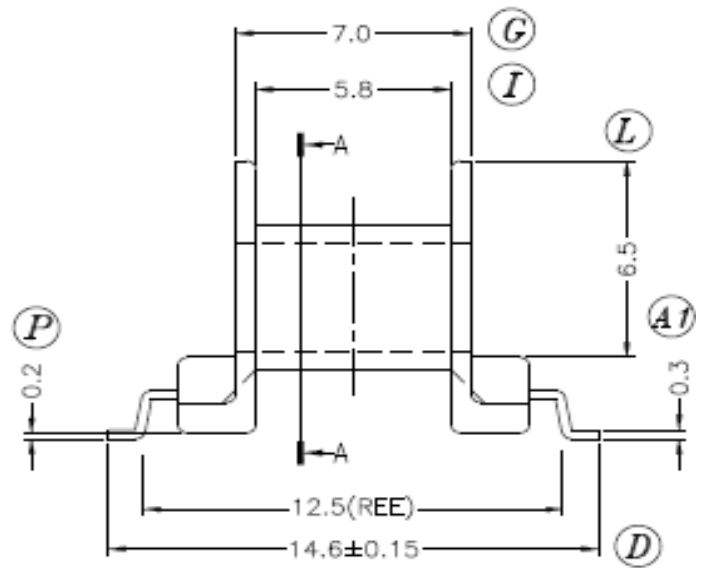
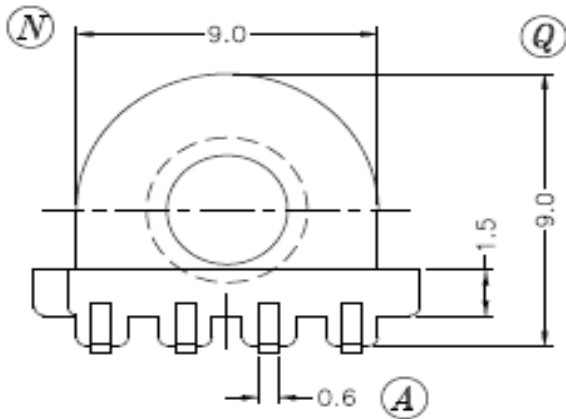
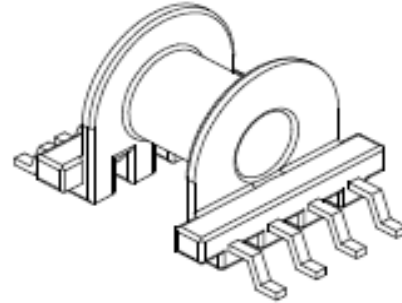
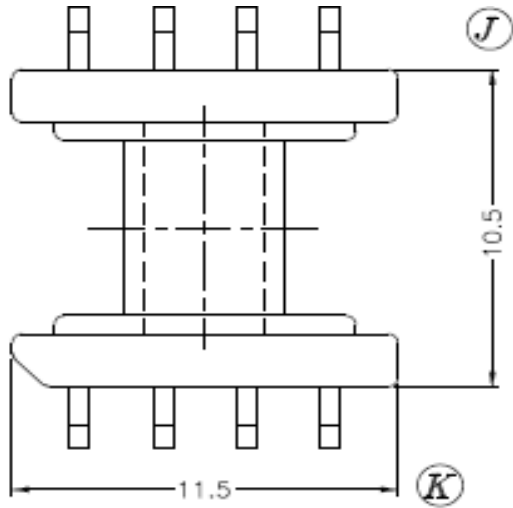


Dimensions in mm

Coplanarity: 0.2 max: Pin Pitch ± 0.3		UL Molder Certification: E163831	
Country of Origin: China	RoHS Certified: YES	Tolerances: $0 < L \leq 4 \pm 0.2$; $4 < L \leq 16 \pm 0.3$; $16 < L \leq 63 \pm 0.4$	
Bobbin Material: Sumitomo E4008 (k) (LCP)		Drawing Number: BEP10-L18GADS-P	
UL File: E54705	UL Rec: 94-V0	S-1001-1	Pin Material: Phosphor Bronze (DS)
MH&W International Corp		Pin Tension: 1.0 Kgm min	Finish: matte Sn
Phone 201-891-8800 Email: sales@mhw-intl.com		Part Number: BEP10-L18GADS-P	

BEP10-L18GADS-P-0

REV	DATE	COMMENTS	BY
-	2026/01/19	Initial Issue	PB



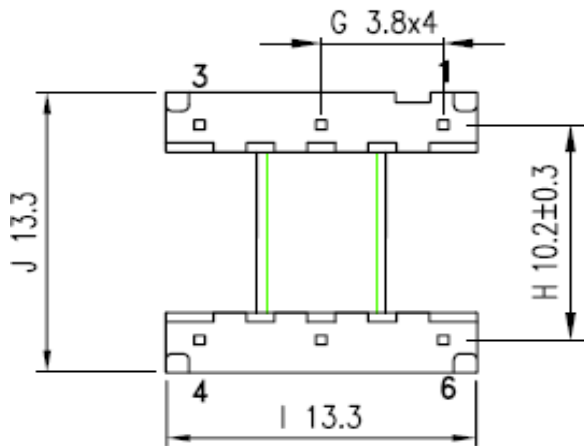
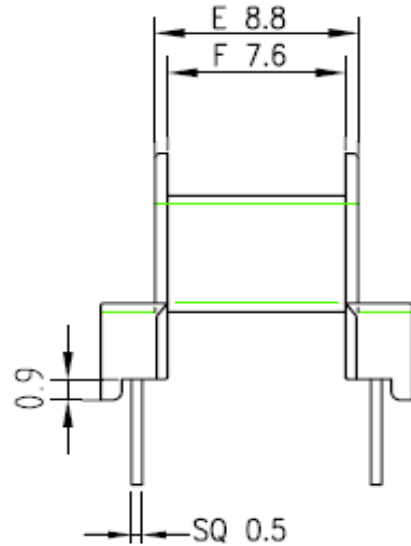
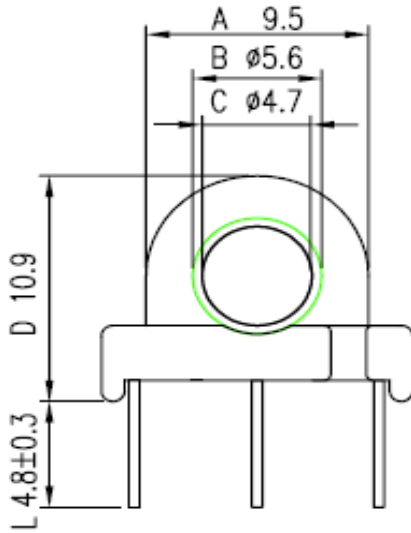
SECTION A-A

Dimensions in mm

Tolerances: 0<L≤4 ±0.2; 4<L≤16 ±0.3; 16<L≤63 ±0.4		Pin Pitch tolerance: ±0.3; Coplanarity 0.2 max	
Country of Origin: China	RoHS Certified: YES	UL MOLDER CERTIFICATION: E163831	
Bobbin Material: LCP E4008		Drawing Number: BEP10-L18GADS-P-0	
UL File: E41429	UL Rec: 94-V0	S-1001-0	Pin Material: Phosphor Bronze
MH&W International Corp Phone 201-891-8800 Email: sales@mhw-intl.com		Pin Tension: 1.5Kg min	
		Finish: MATTE Sn	
		Part Number: BEP10-L18GADS-P-0	

BEP13-116CP-T-P4.8

Revisions			
-	2018/11/27	INITIAL ISSUE	dr

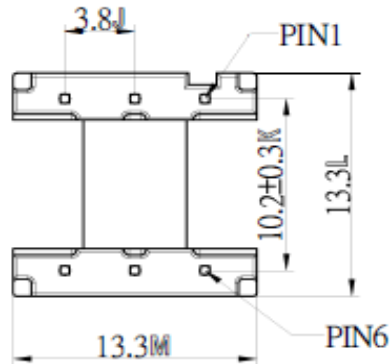
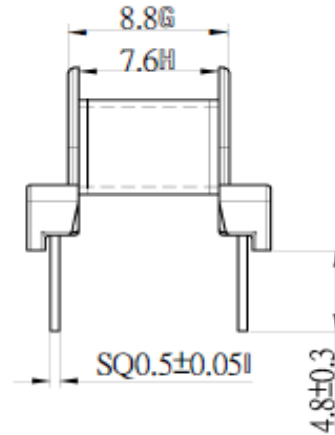
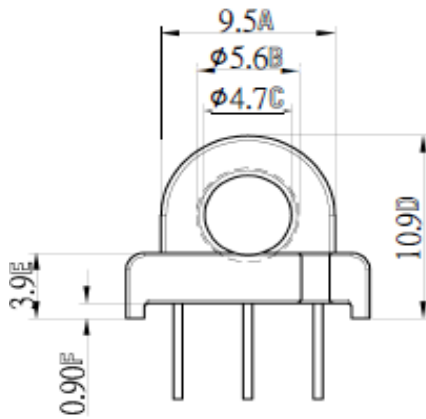
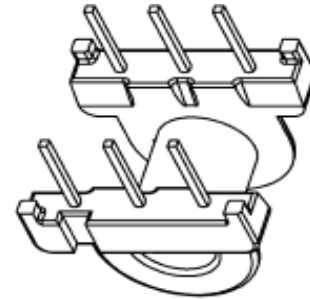
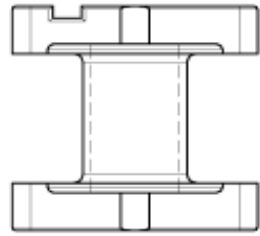


Dimensions in mm

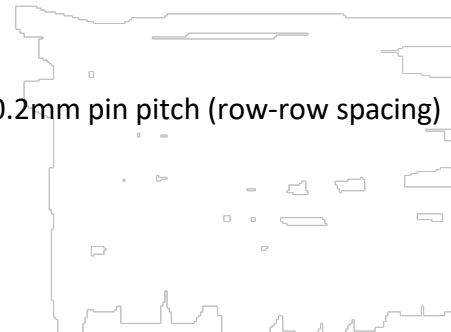
Pin Pitch: ± 0.2		UL Molder Certification: E172381	
Country of Origin: China		RoHS Certified: YES	
Bobbin Material: Sumitomo PM9630		Tolerances: $0 < L \leq 4 \pm 0.2$; $4 < L \leq 16 \pm 0.3$; $16 < L \leq 63 \pm 0.4$	
UL File: E41429		Drawing Number: BEP13-116CP-T-P4.8	
UL Rec: 94-V0		Pin Material: Steel Wire (CP)	
1701302		Pin Tension: 1.0Kgm min	
Finish: matte Sn		Part Number: BEP13-116CP-T-P4.8	
MH&W International Corp Phone 201-891-8800 Email: sales@mhw-intl.com			

BEP13-116-S

REV	DATE	DESCRIPTION	BY
-	2024/04/19	INITIAL ISSUE	dr



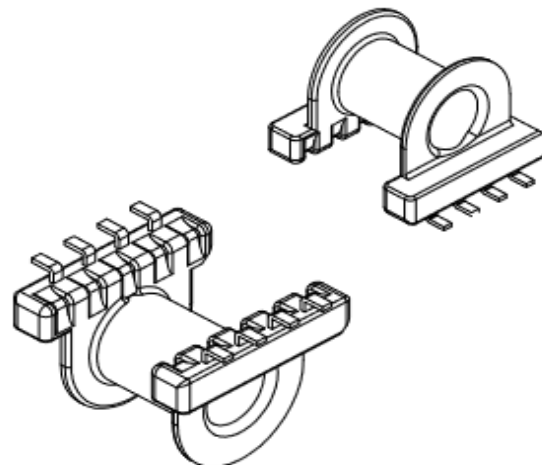
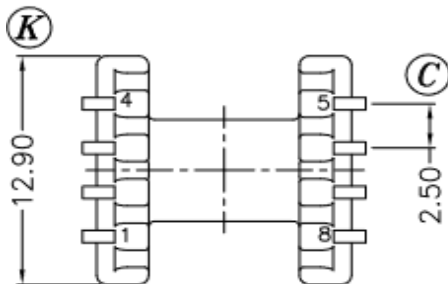
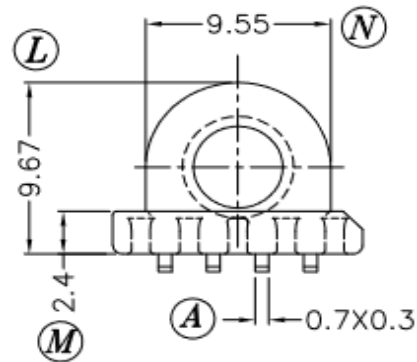
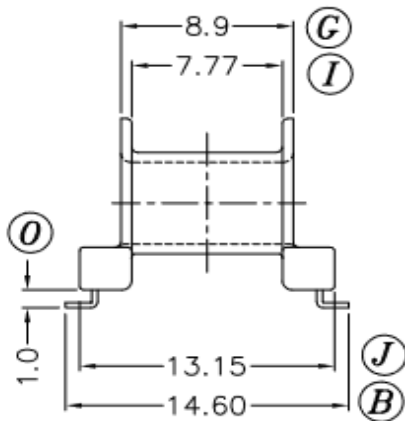
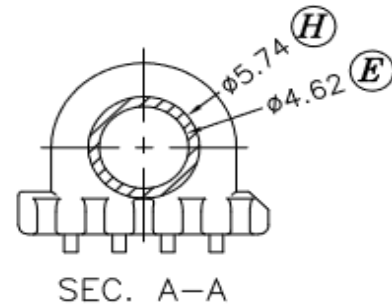
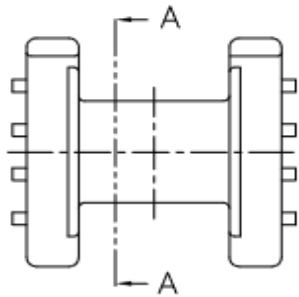
Note: 10.2mm pin pitch (row-row spacing)



Tolerances: 0<L≤4 ±0.2; 4<L≤16 ±0.3; 16<L≤63 ±0.4			Pin Pitch: ± 0.2	Dimensions in mm
Country of Origin: China	RoHS Certified: YES		Title: BOBBIN EP13 6 Pin	
UL Molder Certification: E149570			Drawing Number: BEP13-116-S	
Bobbin Material: Sumitomom PM9820			Pin Material: Steel Wire (CP)	Finish: Sn
UL File: E41429	UL Rec: 94-V0	EP-13-5	Pin Tension: 1.5 Kgm min	
MH&W International Corp			Part Number: BEP13-116-S	
Phone 201-891-8800 Email: sales@mhw-intl.com				

BEP13-918LDS-P

REV	DATE	DESCRIPTION	BY
-	2021/05/17	INITIAL ISSUE	dr

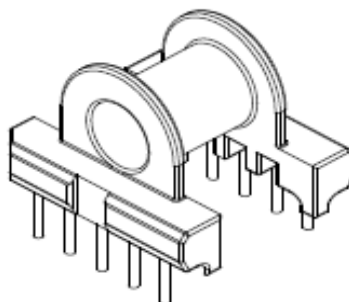
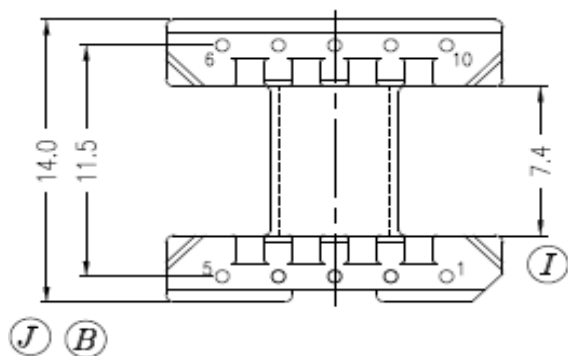
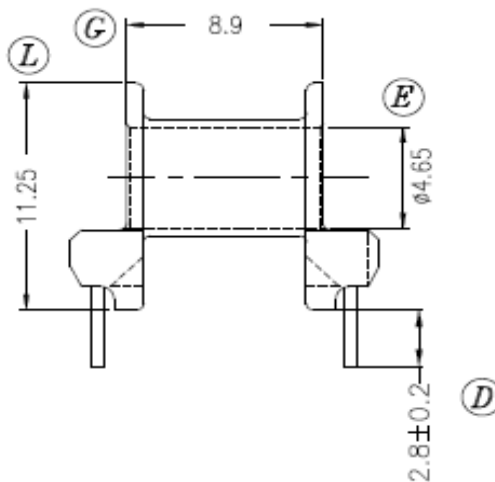
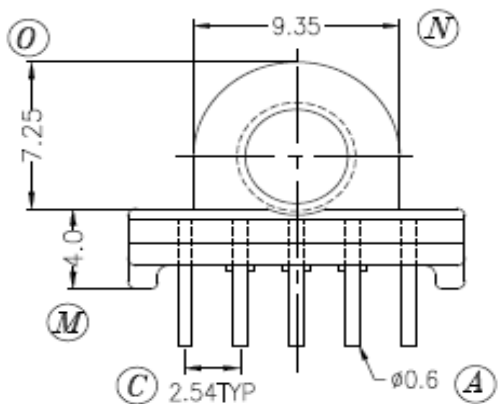
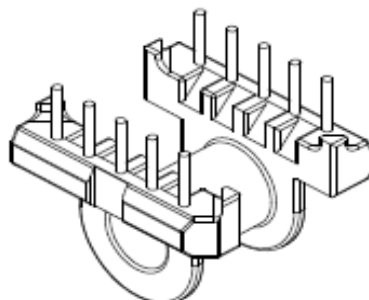
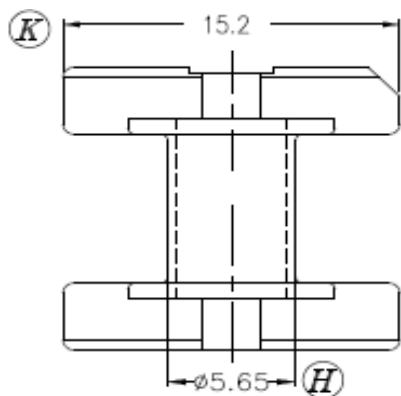


Dimensions in mm

Tolerances: 0<L≤4 ±0.2; 4<L≤16 ±0.3; 16<L≤63 ±0.4		Pin Pitch: ± 0.2	UL Molder Certification: E163831
Country of Origin: China	RoHS Certified: YES	Title: BOBBIN EP13 SMD 8 L-PIN 1 SEC	
Bobbin Material: DAP AM113		Drawing Number: BEP13-918LDS-P	
UL File: E41429	UL Rec: 94-V0	S-1316	Pin Material: Phosphor Bronze (DS)
MH&W International Corp Phone 201-891-8800 Email: sales@mhw-intl.com		Pin Tension: 1.5Kgm min	Finish: matte Sn
		Part Number: BEP13-918LDS-P	

BEP13-1110CP-P-P2.8

REV	DATE	DESCRIPTION	BY
-	2023/03/23	INITIAL ISSUE	dr



Tolerances: 0<L≤4 ±0.2; 4<L≤16 ±0.3; 16<L≤63 ±0.4

Pin Pitch: ± 0.2

Dimensions in mm

Country of Origin: China

RoHS Certified: YES

Title:

BOBBIN EP-13, 10 PIN

UL Molder Certification: E163831

Bobbin Material: PHENOLIC Sumitomo PM9630

Drawing Number: BEP13-1110CP-P-P2.8

UL File: E41429

UL Rec: 94-V0

P-1312

Pin Material: Steel Wire (CP)

Finish: Tin

MH&W International Corp

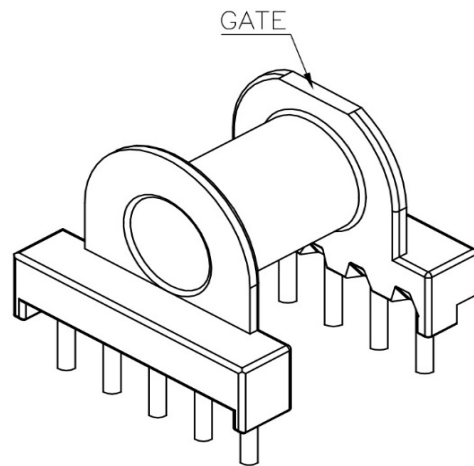
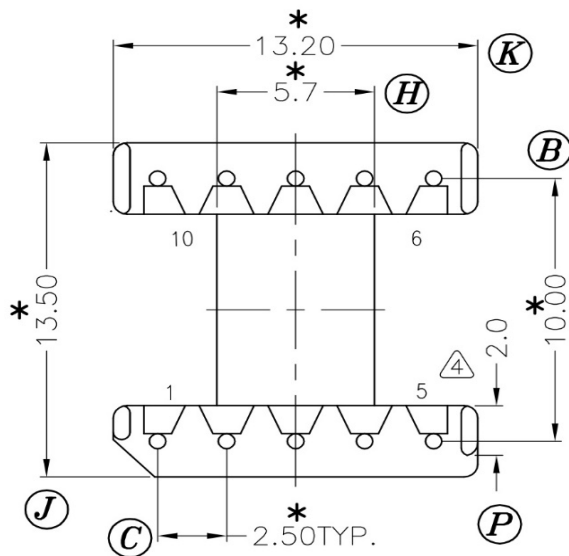
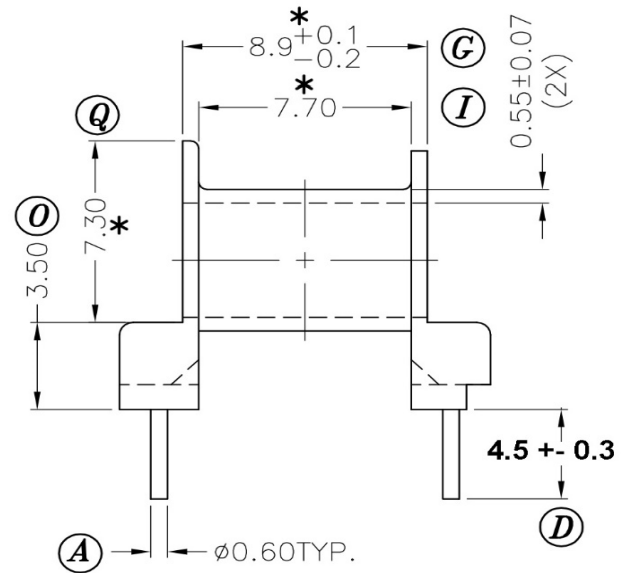
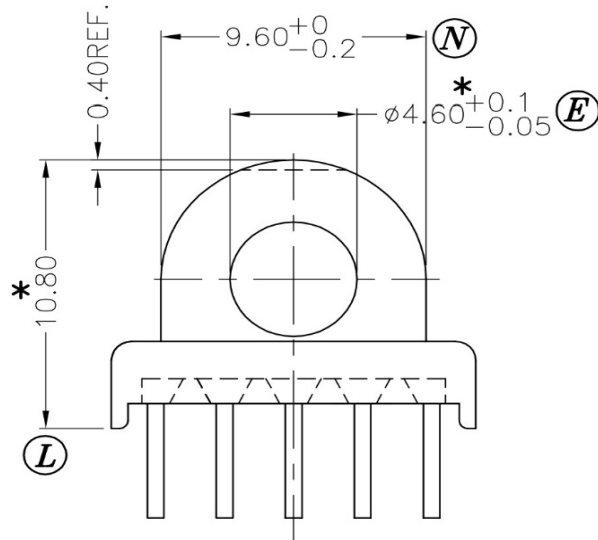
Pin Tension: 1.5 KG min.

Phone 201-891-8800 Email: sales@mhw-intl.com

Part Number: BEP13-1110CP-P-P2.8

BEP13-1110CP-P-P4.5

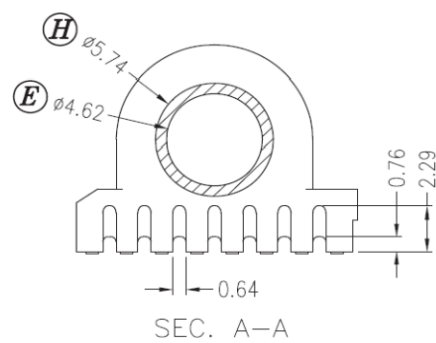
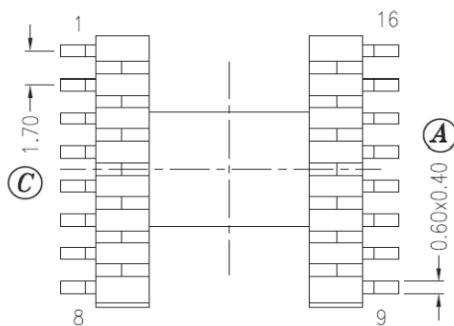
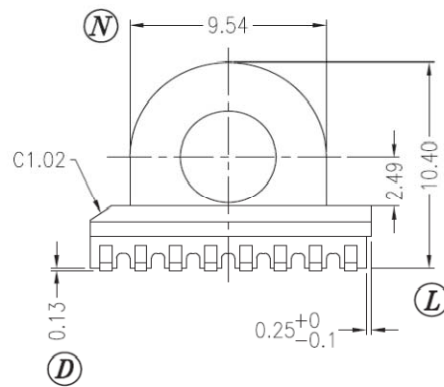
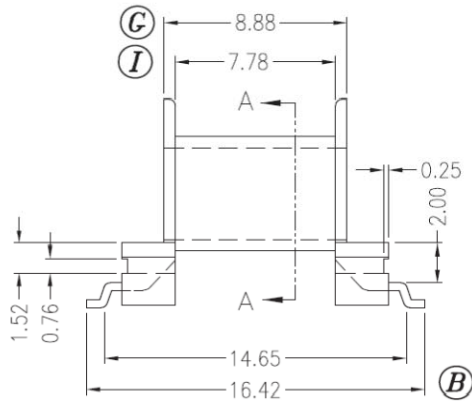
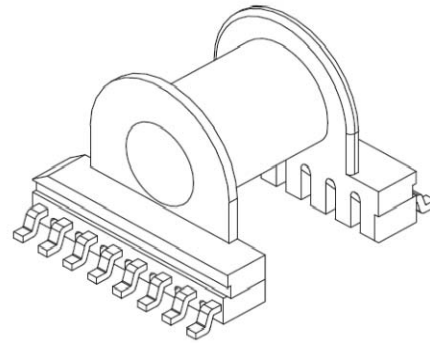
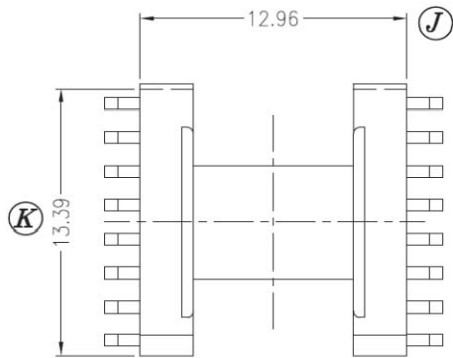
Revisions			
-	2015/08/01	Initial Issue	gvs



UL Molder Certification: E163831		Pin Pitch: ± 0.3	Dimensions in mm
Country of Origin: China	RoHS Certified: YES	Tolerances: $0 < L \leq 4 \pm 0.2$; $4 < L \leq 16 \pm 0.3$; $16 < L \leq 63 \pm 0.4$	
Bobbin Material: Phenolic Sumitomo PM9820		Drawing Number: BEP13-1110CP-P-P4.5	
UL File: E41429	UL Rec: 94-V0	P-1303-P4.5	Pin Material: Steel Wire (CP)
MH&W International Corp Phone 201-891-8800 Email: sales@mhw-intl.com		Pin Tension: 1.5 Kgm min	Finish: matte Sn
		Part Number: BEP13-1110CP-P-P4.5	

BEP13-1116DS-P

--	--	--	--



Dimensions in mm

Country of Origin: China | RoHS Certified: YES

Bobbin Material: Sumitomo DAP AM113

UL File: E41429 | UL Rec: 94-V0 | S-1315-1

MH&W International Corp

Phone 201-891-8800 | Email: sales@mhw-intl.com

Drawing Number: BEP13-1116DS-P

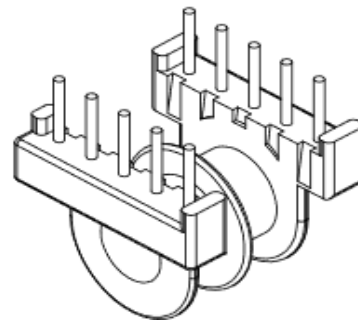
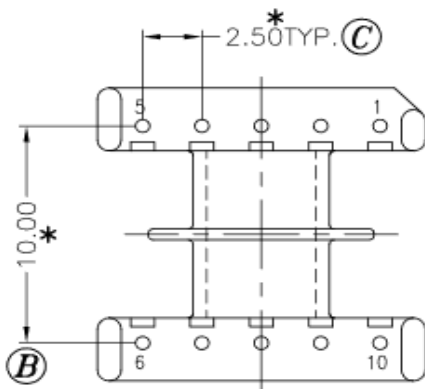
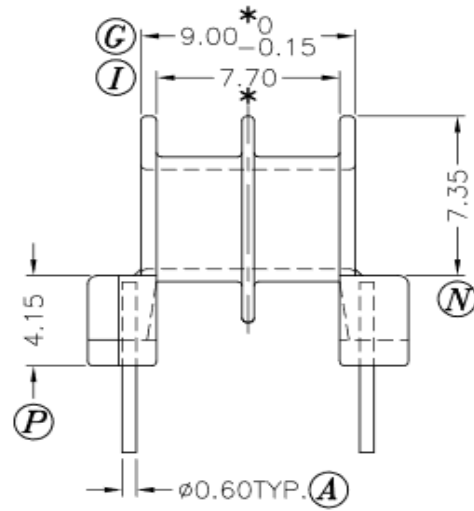
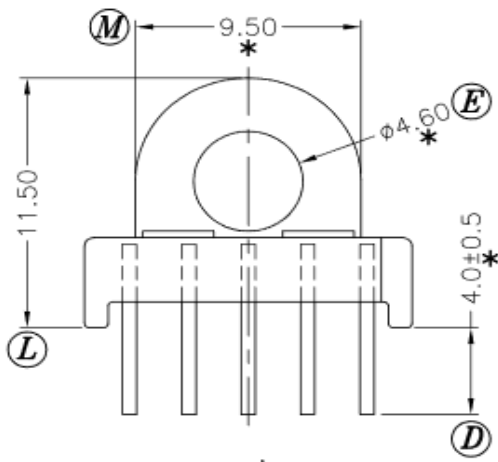
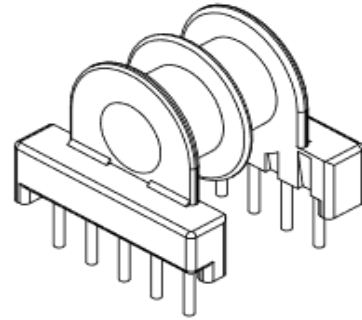
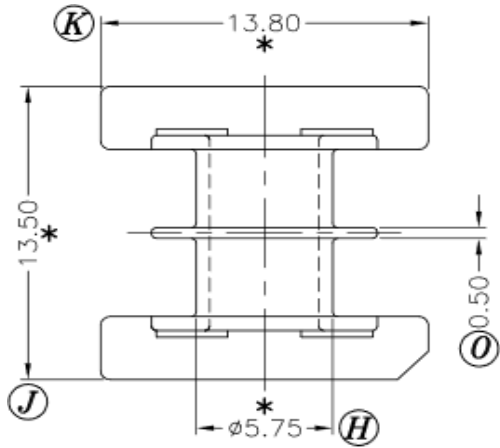
Pin Material: Phospher Bronze

Pin Tension: 1.5Kgm min | Finish: Tin

Part Number: BEP13-1116DS-P

BEP13-1210CP-P-4.0

REV	DATE	DESCRIPTION	BY
-	2020/10/30	INITIAL ISSUE	dr

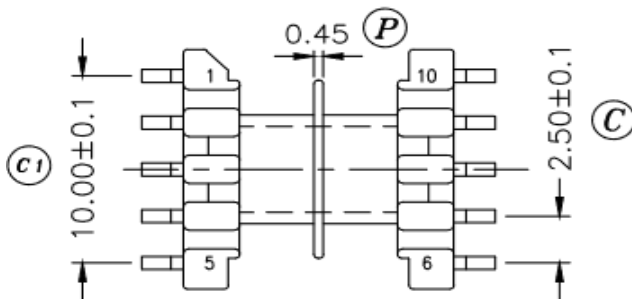
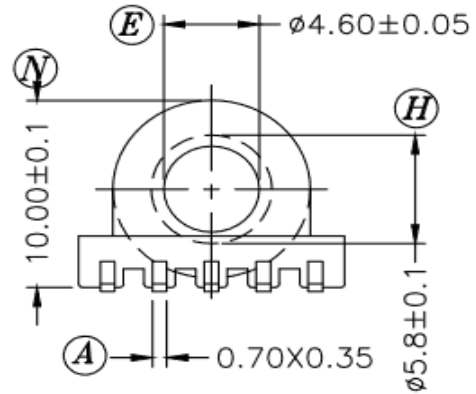
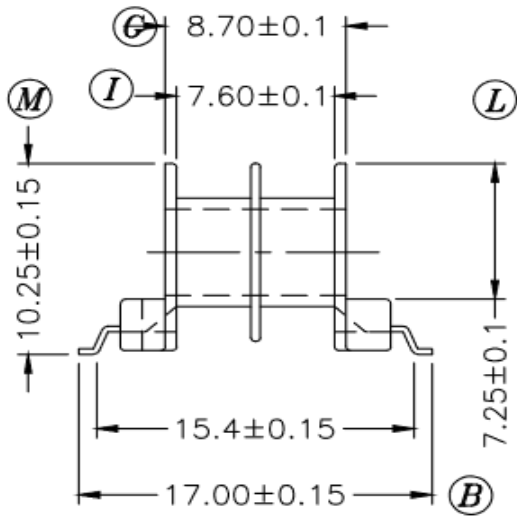
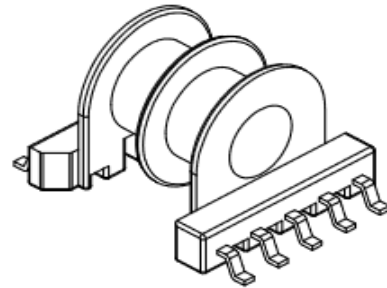
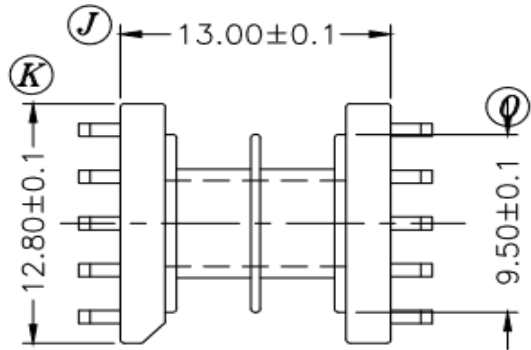


Dimensions in mm

Tolerances: $0 < L \leq 4 \pm 0.2$; $4 < L \leq 16 \pm 0.3$; $16 < L \leq 63 \pm 0.4$		Pin Pitch: ± 0.2	UL Molder Certification: E163831
Country of Origin: China	RoHS Certified: YES	Title: BOBBIN EP13 10 PIN 2 SECTION	
Bobbin Material: PHENOLIC PM9630		Drawing Number: BEP13-1210CP-P-4.0	
UL File: E41429	UL Rec: 94-V0	P-1305	Pin Material: Steel Wire (CP)
MH&W International Corp Phone 201-891-8800 Email: sales@mhw-intl.com		Pin Tension: 1.5Kgm min	Finish: matte Sn
		Part Number: BEP13-1210CP-P-4.0	

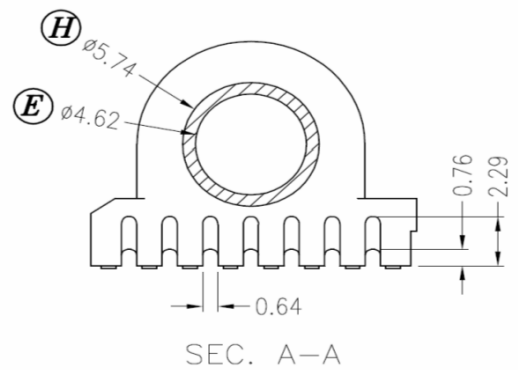
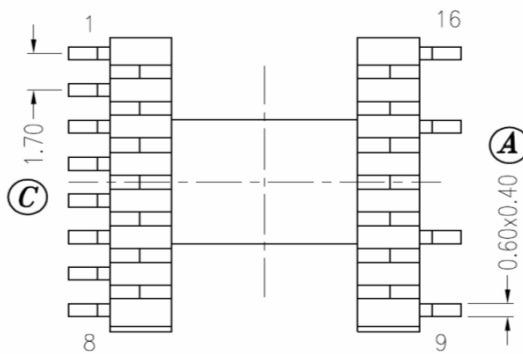
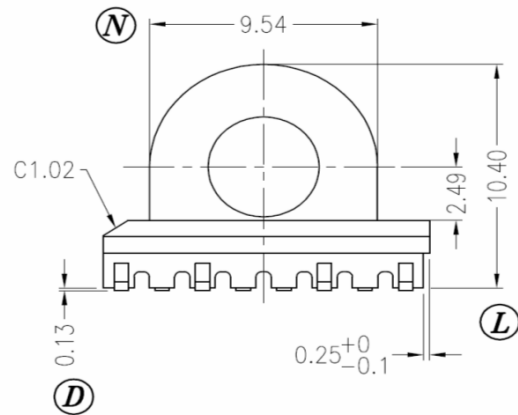
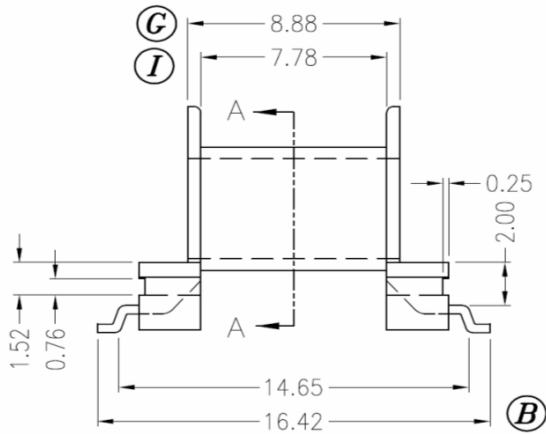
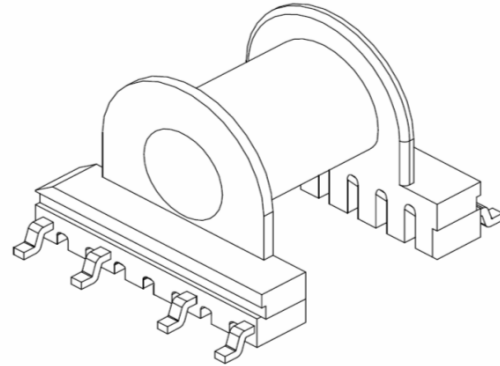
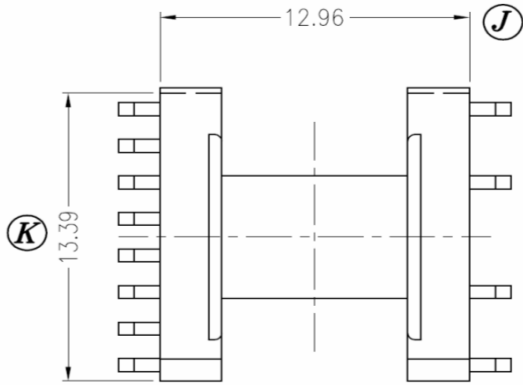
BEP13-1210GADS-P

REV	DATE	DESCRIPTION	BY
-	2023/08/29	INITIAL ISSUE	dr



Tolerances: $0 < L \leq 4 \pm 0.2$; $4 < L \leq 16 \pm 0.3$; $16 < L \leq 63 \pm 0.4$		Pin Pitch: ± 0.2	Dimensions in mm
Country of Origin: China	RoHS Certified: YES	Title: SMD BOBBIN EP13 10 PIN	
UL Molder Certification: E163831		Drawing Number: BEP13-1210GADS-P	
Bobbin Material: Sumitomo PM-9630		Pin Material: Phosphor Bronze	Finish: Tin
UL File: E41429	UL Rec: 94-V0	S-1312-1	Pin Tension: 1.5KG min.
MH&W International Corp		Part Number: BEP13-1210GADS-P	
Phone 201-891-8800 Email: sales@mhw-intl.com			

BEP13-9112GADS-P-P8X4

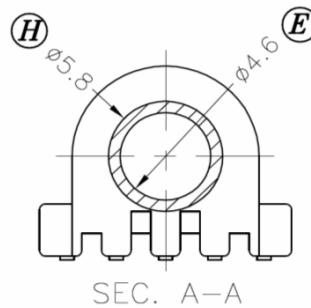
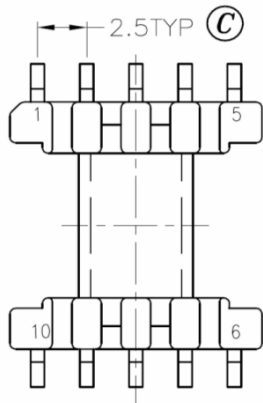
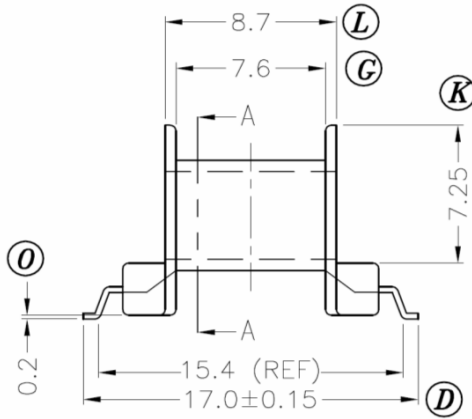
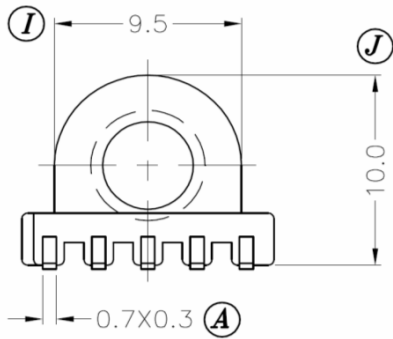
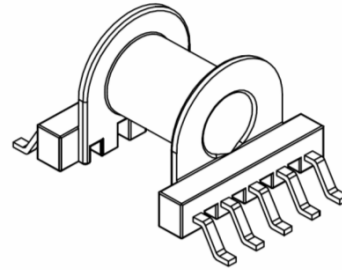
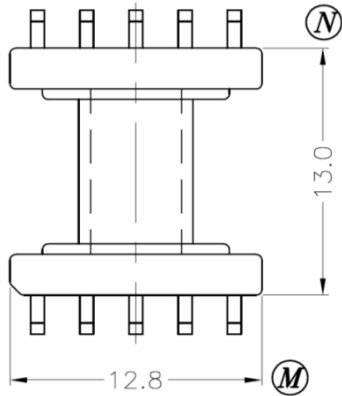


SEC. A-A

Dimensions in mm

Country of Origin: China	RoHS Certified: YES	UL MOLDER CERTIFICATION: E163831
Bobbin Material: DAP Sumitomo AM113	Drawing Number: BEP13-9112GADS-P-P8X4	
UL File: E41429	UL Rec: 94-V0	S-1315-2
Pin Material: Phospher Bronze		Pin Tension: 1.5Kgm min
Finish: MATTE Sn		Part Number: BEP13-9112GADS-P-P8X4
MH&W International Corp Phone 201-891-8800 Email: sales@mhw-intl.com		

BEP13-L110GADS-P

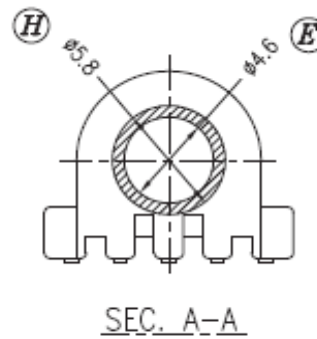
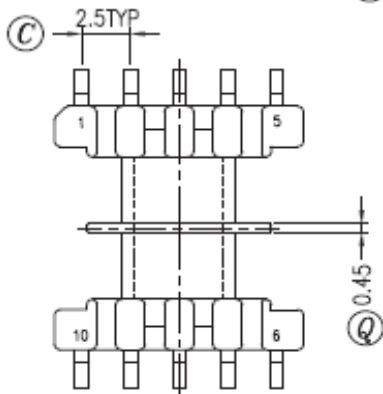
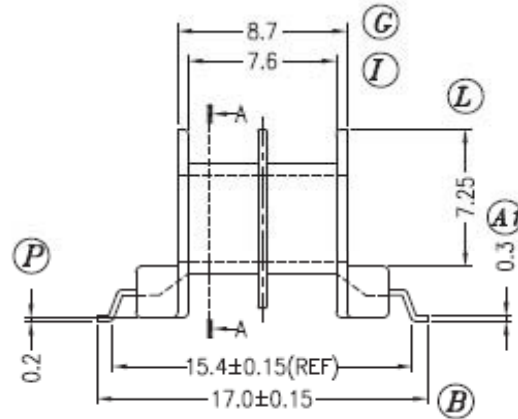
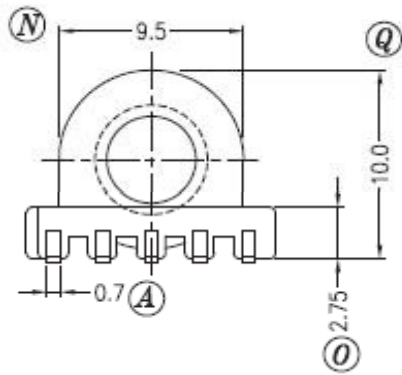
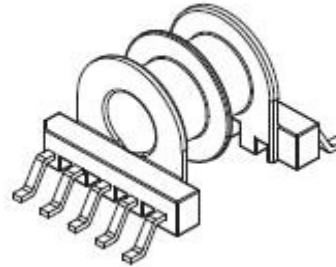
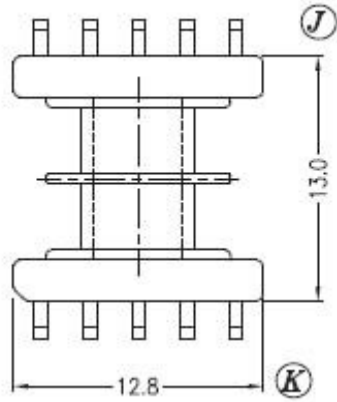


Dimensions in mm

Country of Origin: China	RoHS Certified: YES	UL Molder Certification: E163831
Bobbin Material: Sumitomo E4008 (k) (LCP)		Drawing Number: BEP13-L110GADS-P
UL File: E54705	UL Rec: 94-V0	S-1301
Pin Material: Phosphor Bronze (DS)		Pin Tension: 1.0Kgm min
Finish: Sn		Part Number: BEP13-L110GADS-P
MH&W International Corp Phone 201-891-8800 Email: sales@mhw-intl.com		

BEP13-L210GADS-P

--	--

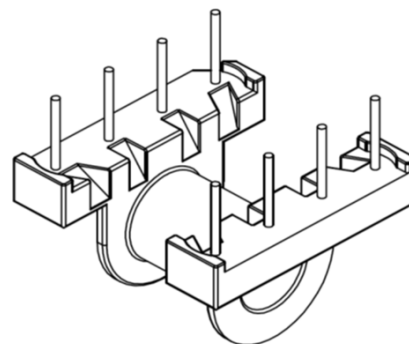
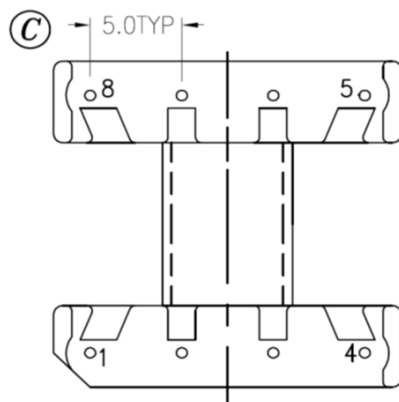
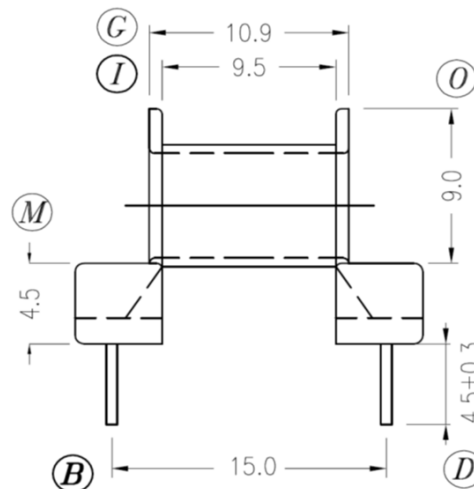
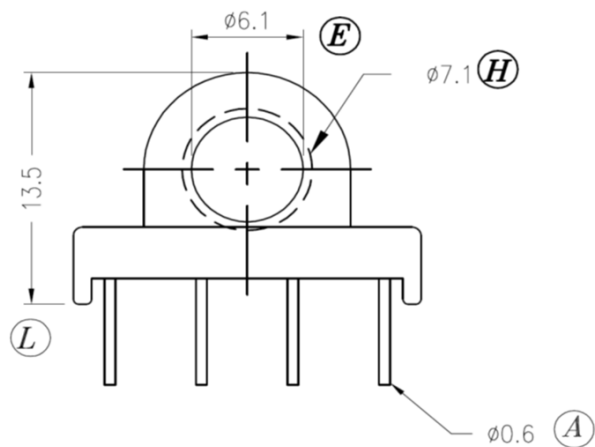
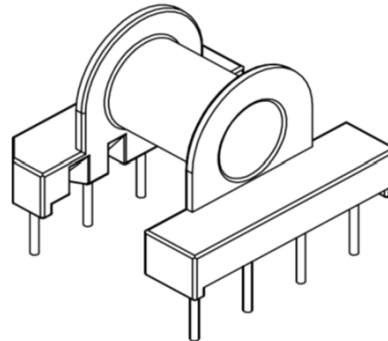
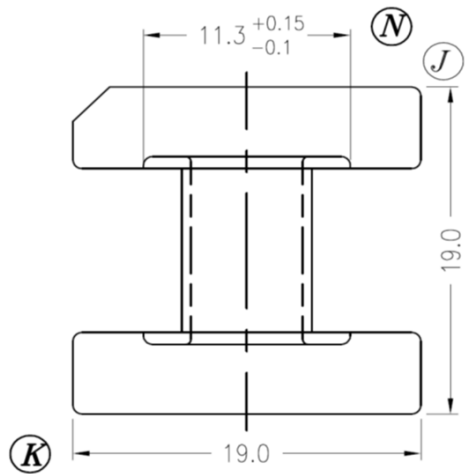


Dimensions in mm

Country of Origin: China		RoHS Certified: YES	
Bobbin Material: Sumitomo E4008 (k) (LCP)		Drawing Number: BEP13-L210GADS-P	
UL File: E54705	UL Rec: 94-V0	S-1302	Pin Material: Phosphor Bronze (DS)
MH&W International Corp		Pin Tension: 1.5Kgm min	Finish: Tin
Phone 201-891-8800 Email: sales@mhw-intl.com		Part Number: BEP13-L210GADS-P	

BEP17-118CP-P-P4.5-1703

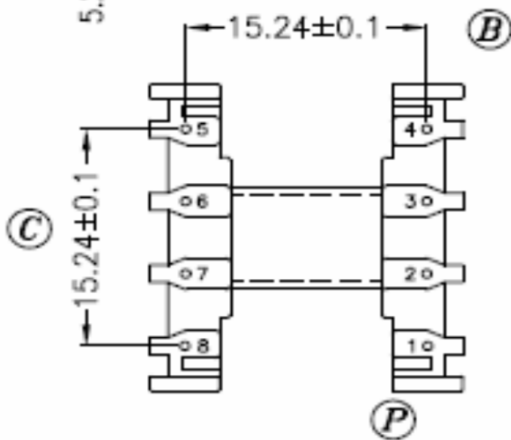
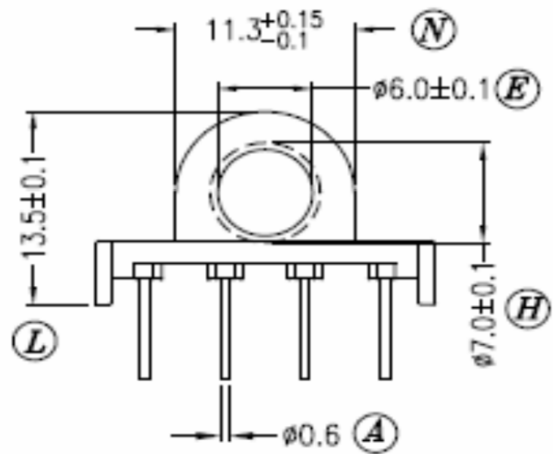
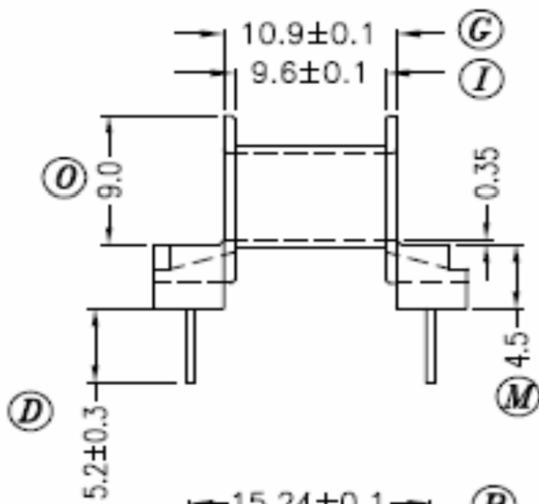
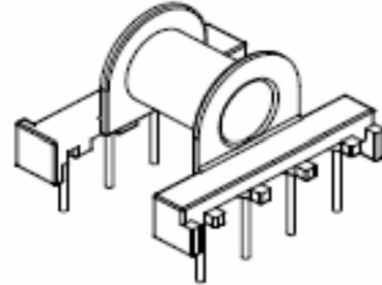
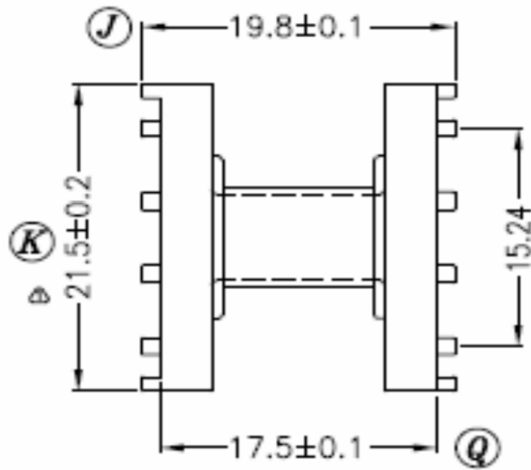
Revisions			
-	2013/04/01	Initial Issue	gvs
R1	2017/01/09	Updated tolerances, part Description	gvs



Pin Pitch tolerance: ± 0.3		Dimensions in mm	
Country of Origin: China	RoHS Certified: YES	Tolerances: $0 < L \leq 4 \pm 0.2$; $4 < L \leq 16 \pm 0.3$; $16 < L \leq 63 \pm 0.4$	
Bobbin Material: Phenolic Sumitomo PM9630		Drawing Number: BEP17-118CP-P-P4.5-1703-R1	
UL File: E41429	UL Rec: 94-V0	P=1703	Pin Material: STEEL WIRE
MH&W International Corp Phone 201-891-8800 Email: sales@mhw-intl.com		Pin Tension: 1.5Kgm min	
		Finish: matte Sn	
		Part Number: BEP17-118CP-P-P4.5-1703	

BEP17-118CP-P-P5.2-1706

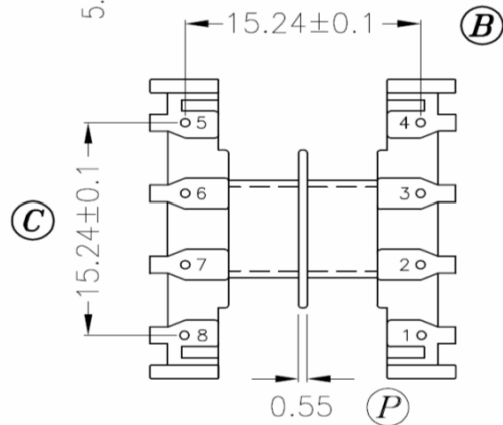
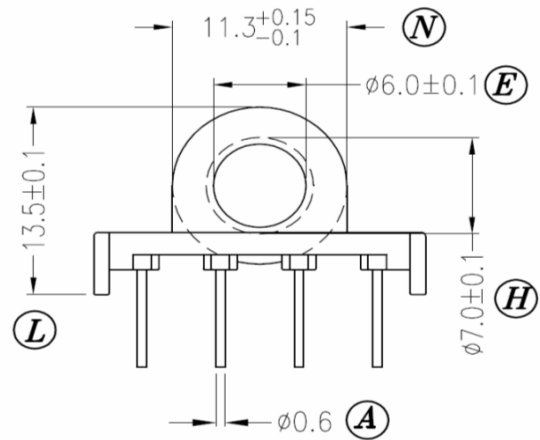
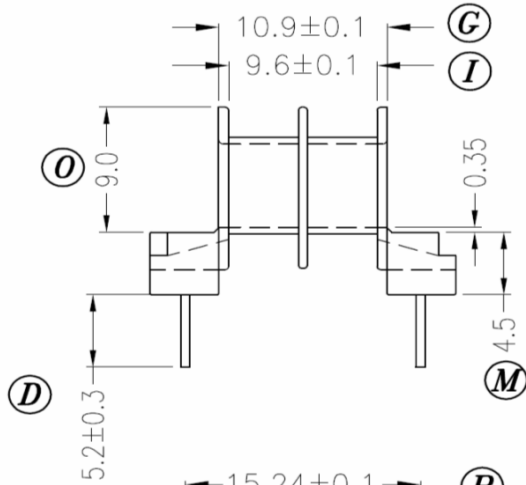
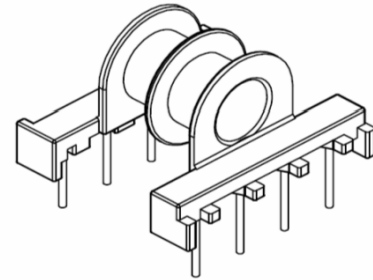
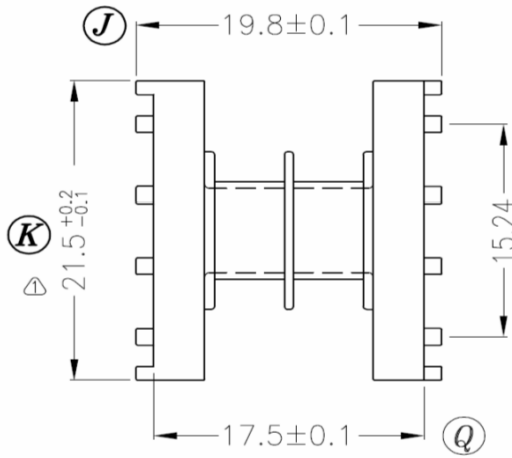
Revisions			
-	2013/04/01	Initial Issue	gvs



Pin Pitch tolerance: ±0.3		Dimensions in mm	
Country of Origin: China	RoHS Certified: YES	Tolerances: 0<L≤4 ±0.2; 4<L≤16 ±0.3; 16<L≤63 ±0.4	
Bobbin Material: Phenolic Sumitomo PM9630		Drawing Number: BEP17-118CP-P-P5.2-1706	
UL File: E41429	UL Rec: 94-V0	P-1706-P5.2	Pin Material: STEEL WIRE
MH&W International Corp Phone 201-891-8800 Email: sales@mhw-intl.com		Pin Tension: 1.5Kgm min	
		Finish: matte Sn	
		Part Number: BEP17-118CP-P-P5.2-1706	

BEP17-128CP-P-P5.2

Revisions		
-	2015/09/22	Initial Issue
		gvs

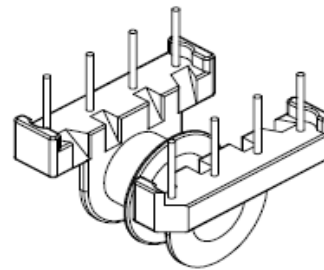
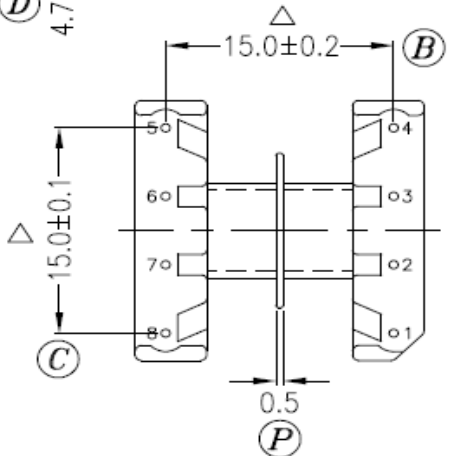
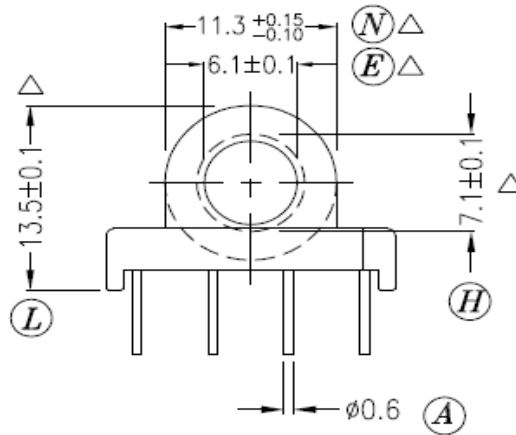
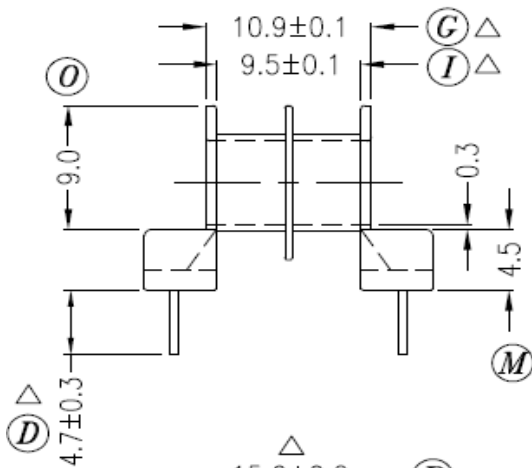
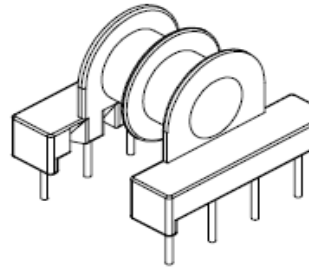
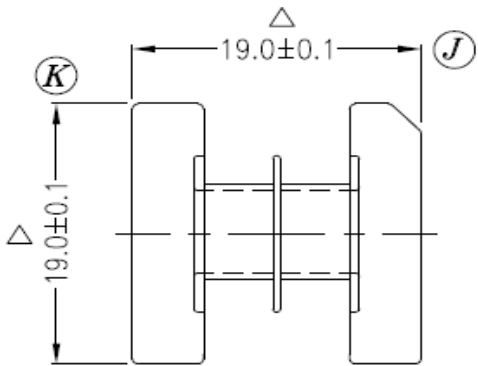


Dimensions in mm

Inventory #: P-1708-P5.2	Pin Pitch ± 0.3 mm	Tolerances: 0<L≤4 ±0.2; 4<L≤16 ±0.3; 16<L≤63 ±0.4	
Country of Origin: China	RoHS Certified: YES	Molder Certification: E163831	
Bobbin Material: Phenolic Sumitomo PM9630		Drawing Number: BEP17-128CP-P-P5.2	
UL File: E41429	UL Rec: 94-V0	Pin Material: Steel Wire (CP)	
MH&W International Corp Phone 201-891-8800 Email: sales@mhw-intl.com		Pin Tension: 1.0 Kgm min	Finish: Matte Sn
		Part Number: BEP17-128CP-P-P5.2	

BEP17-328DFR-P-P4.7

REV	DATE	DESCRIPTION	BY
-	2020/10/27	INITIAL ISSUE	dr

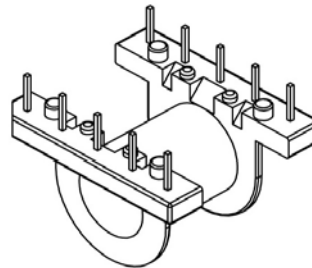
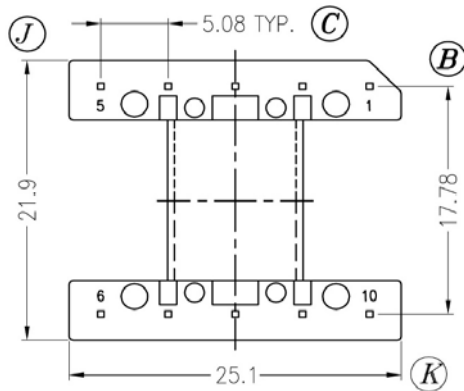
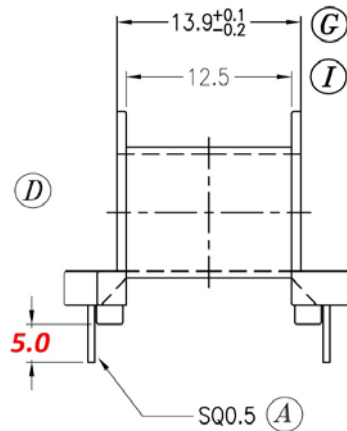
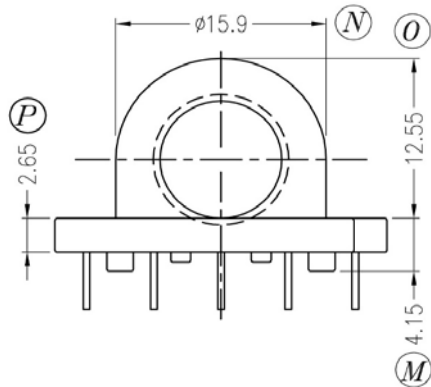
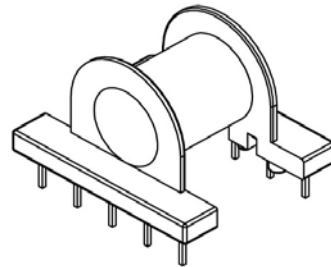
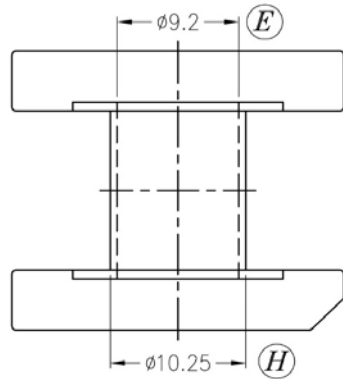


Dimensions in mm

Tolerances: $0 < L \leq 4 \pm 0.2$; $4 < L \leq 16 \pm 0.3$; $16 < L \leq 63 \pm 0.4$		Pin Pitch: ± 0.2	UL Molder Certification: E163831
Country of Origin: China	RoHS Certified: YES	Title: BOBBIN EP17 8 PIN 2 SECTION	
Bobbin Material: PHENOLIC PM9630		Drawing Number: BEP17-328DFR-P-P4.7	
UL File: E41429	UL Rec: 94-V0	P-1707	Pin Material: Steel Wire (CP)
MH&W International Corp Phone 201-891-8800 Email: sales@mhw-intl.com		Pin Tension: 0.9Kgm min	Finish: matte Sn
		Part Number: BEP17-328DFR-P-P4.7	

BEP20-1110CP-P-P5.0

Revisions			



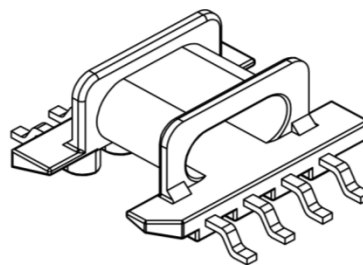
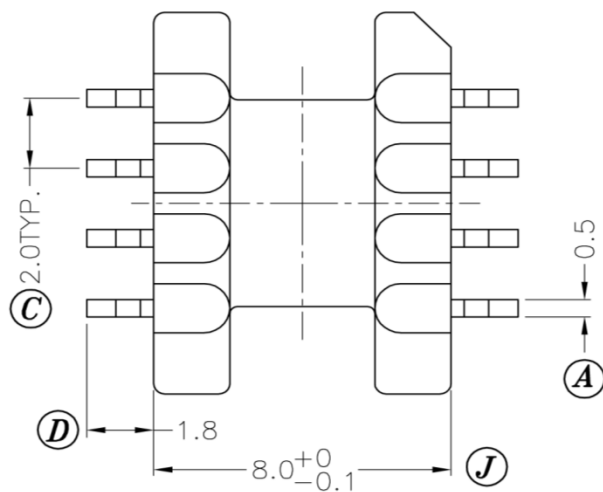
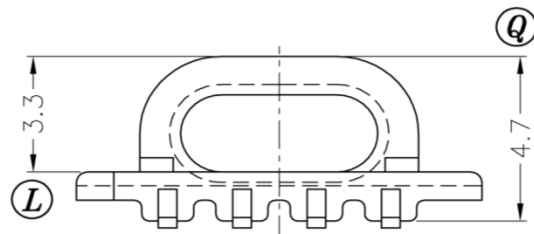
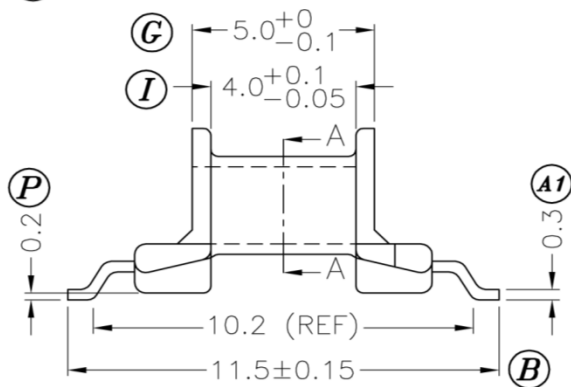
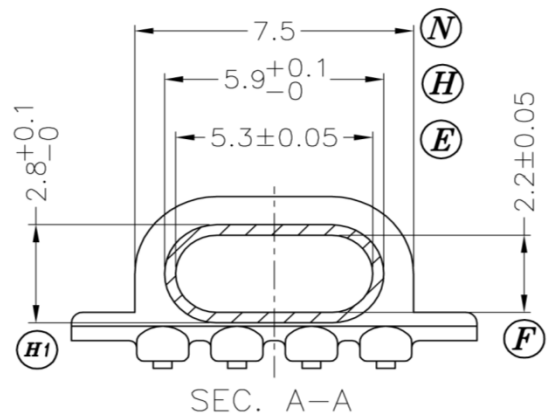
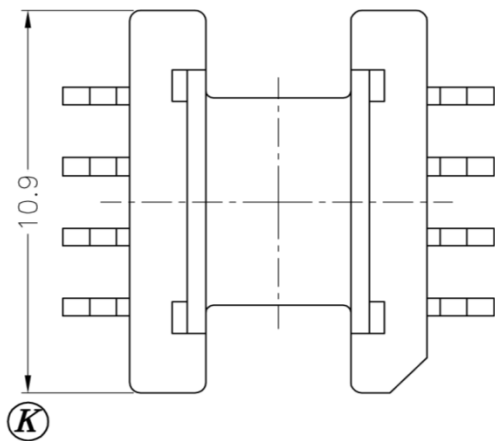
Dimensions in mm

Country of Origin: China	RoHS Certified: YES	Molder UL File Number: E163831
Bobbin Material: Sumitomo PM9630		Drawing Number: BEP20-1110CP-P-P5.0
UL File: E41429	UL Rec: 94-V0	P-2016-P5.0
Pin Material: Steel Wire (CP)		
MH&W International Corp		Pin Tension: 1.5Kgm min
Phone 201-891-8800 Email: sales@mhw-intl.com		Finish: Sn
Part Number: BEP20-1110CP-P-P5.0		

BEPC10-118GADS-P

Revisions		
R1	2015/06/24	Updated tolerances

gvs



COPLANARITY: 0.2 MAX: Pin Pitch Tol: ± 0.3

Dimensions in mm

Country of Origin: China RoHS Certified: YES

Tolerances: 0 < L ≤ 4: ±0.2 4 < L ≤ 16: ± 0.3 16 < L ≤ 63: ±0.4

Bobbin Material: Phenolic Sumitomo PM9630

Drawing Number: BEPC10-118GADS-P-R1

UL File: E41429

UL Rec: 94-V0

S-1003

Pin Material: Phosphor Bronze (DS)

MH&W International Corp

Pin Tension: 1.5Kgm min

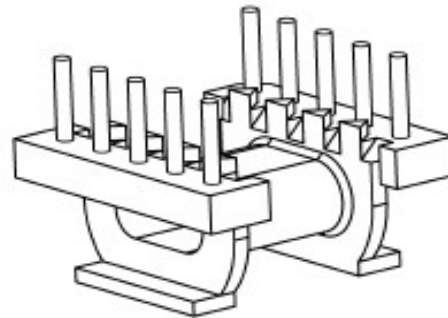
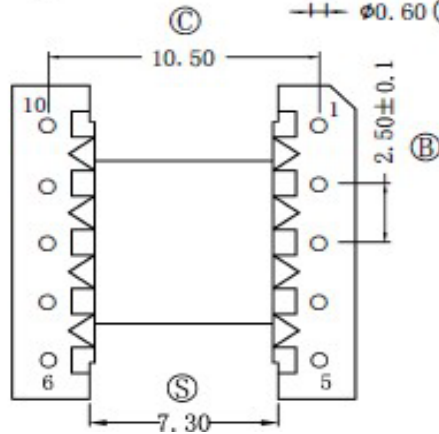
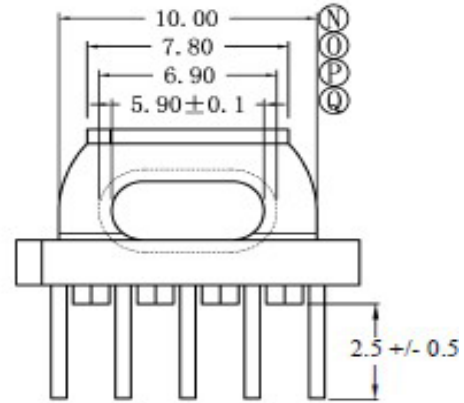
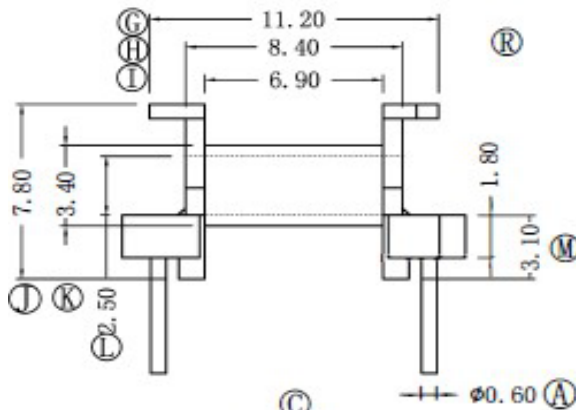
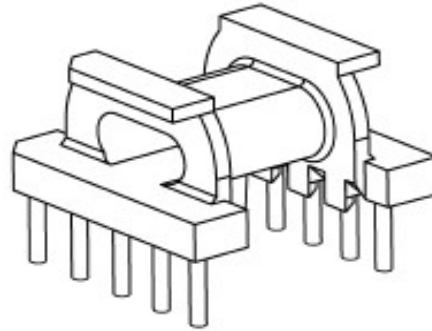
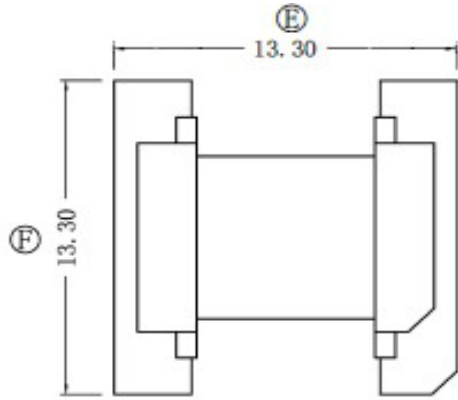
Finish: MATTE Sn

Phone 201-891-8800 Email: sales@mhw-intl.com

Part Number: BEPC10-118GADS-P

BEPC13-1110CPH-MX-P2.5

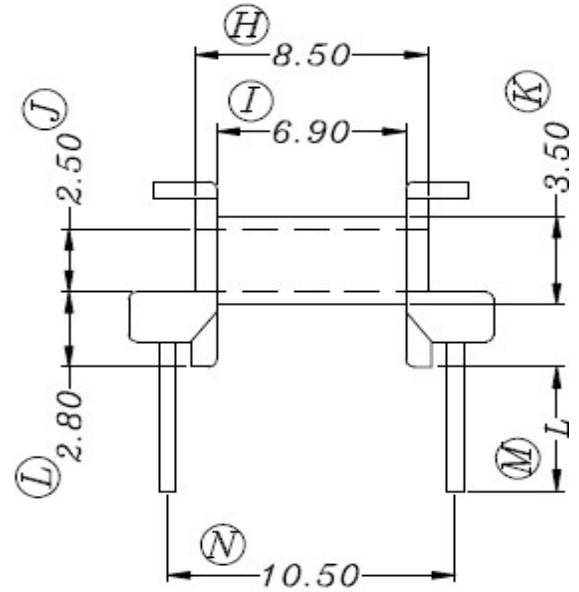
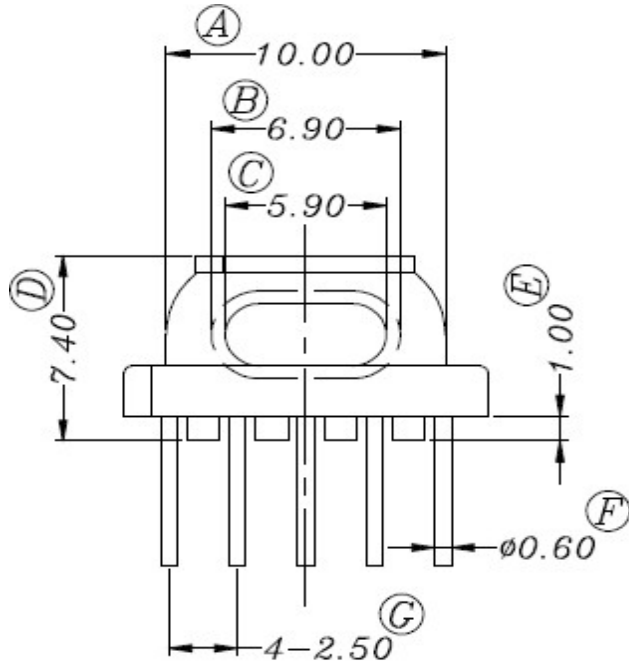
REV	DATE	DESCRIPTION	BY
-	2023/05/25	INITIAL ISSUE	dr



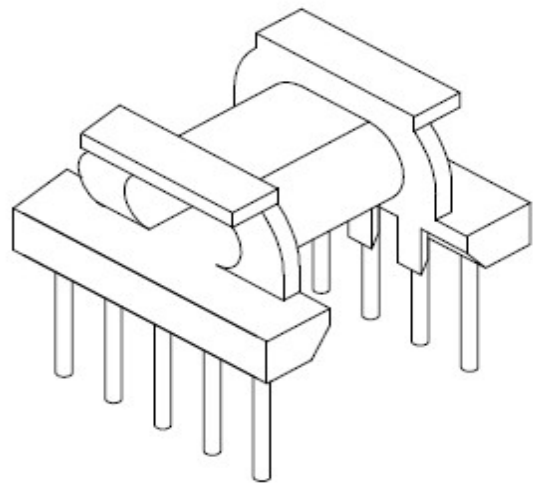
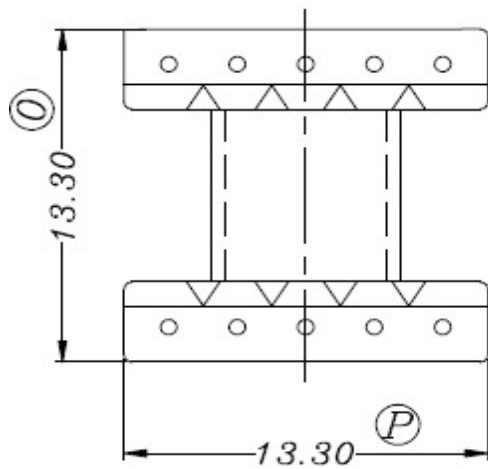
Tolerances: 0<L≤4 ±0.2; 4<L≤16 ±0.3; 16<L≤63 ±0.4		Pin Pitch: ± 0.3	Dimensions in mm
Country of Origin: China	RoHS Certified: YES	Title: BOBBIN EPC-13 (5+5P)	
UL Molder Certification: E163831			
Bobbin Material: Phenolic Sumitomo PM9630		Drawing Number: BEPC13-1110CPH-MX-P2.5	
UL File: E41429	UL Rec: 94-V0	MX-1306-2	Pin Material: Steel Wire (CP)
MH&W International Corp Phone 201-891-8800 Email: sales@mhw-intl.com		Pin Tension: 1.2Kgm	Finish: CuSn (~2%Cu)
		Part Number: BEPC13-1110CPH-MX-P2.5	

BEPC13-1110CPH-PM-P2.5

REV	DATE	DESCRIPTION	BY
-	2023/05/25	INITIAL ISSUE	dr



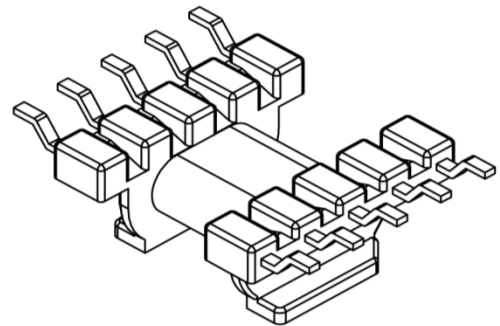
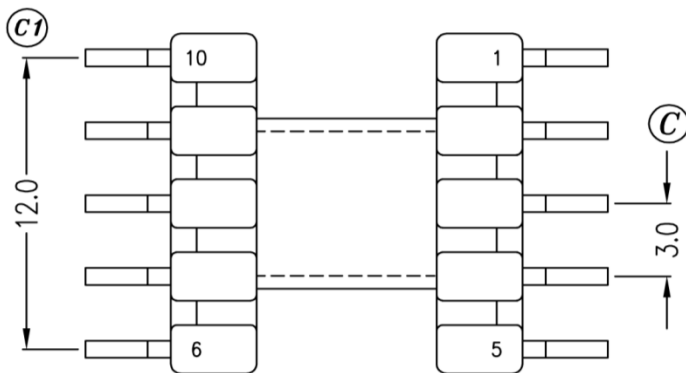
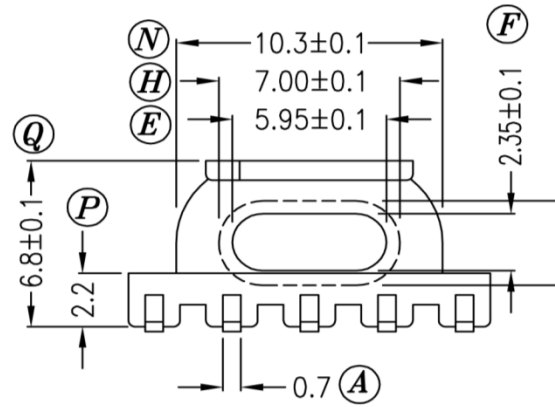
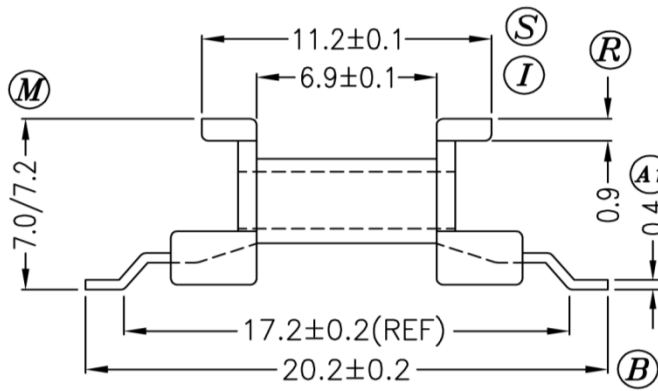
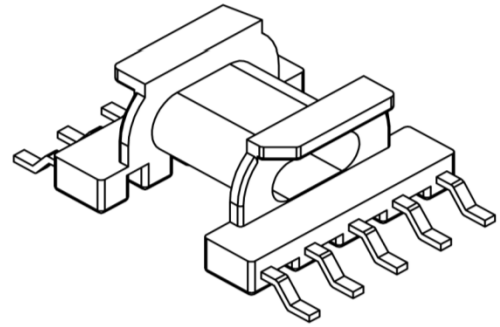
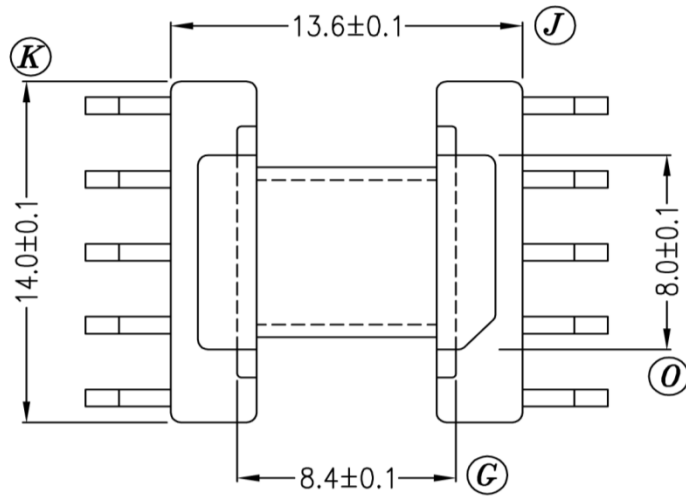
L = 2.5mm +/- 0.5mm



Tolerances: 0<L≤4 ±0.2; 4<L≤16 ±0.3; 16<L≤63 ±0.4		Pin Pitch: ± 0.3	Dimensions in mm
Country of Origin: China	RoHS Certified: YES	Title: BOBBIN EPC-13 (5+5P)	
UL Molder Certification: E315110			
Bobbin Material: Phenolic Sumitomo PM9630		Drawing Number: BEPC13-1110CPH-PM-P2.5	
UL File: E41429	UL Rec: 94-V0	P-1311	Pin Material: Steel Wire (CP)
MH&W International Corp Phone 201-891-8800 Email: sales@mhw-intl.com		Pin Tension: 1.0Kgm	Finish: CuSn (~2%Cu)
		Part Number: BEPC13-1110CPH-PM-P2.5	

BEPC13-1110GADS-P

Revisions			
R1	2015/06/24	Updated tolerances	gvs

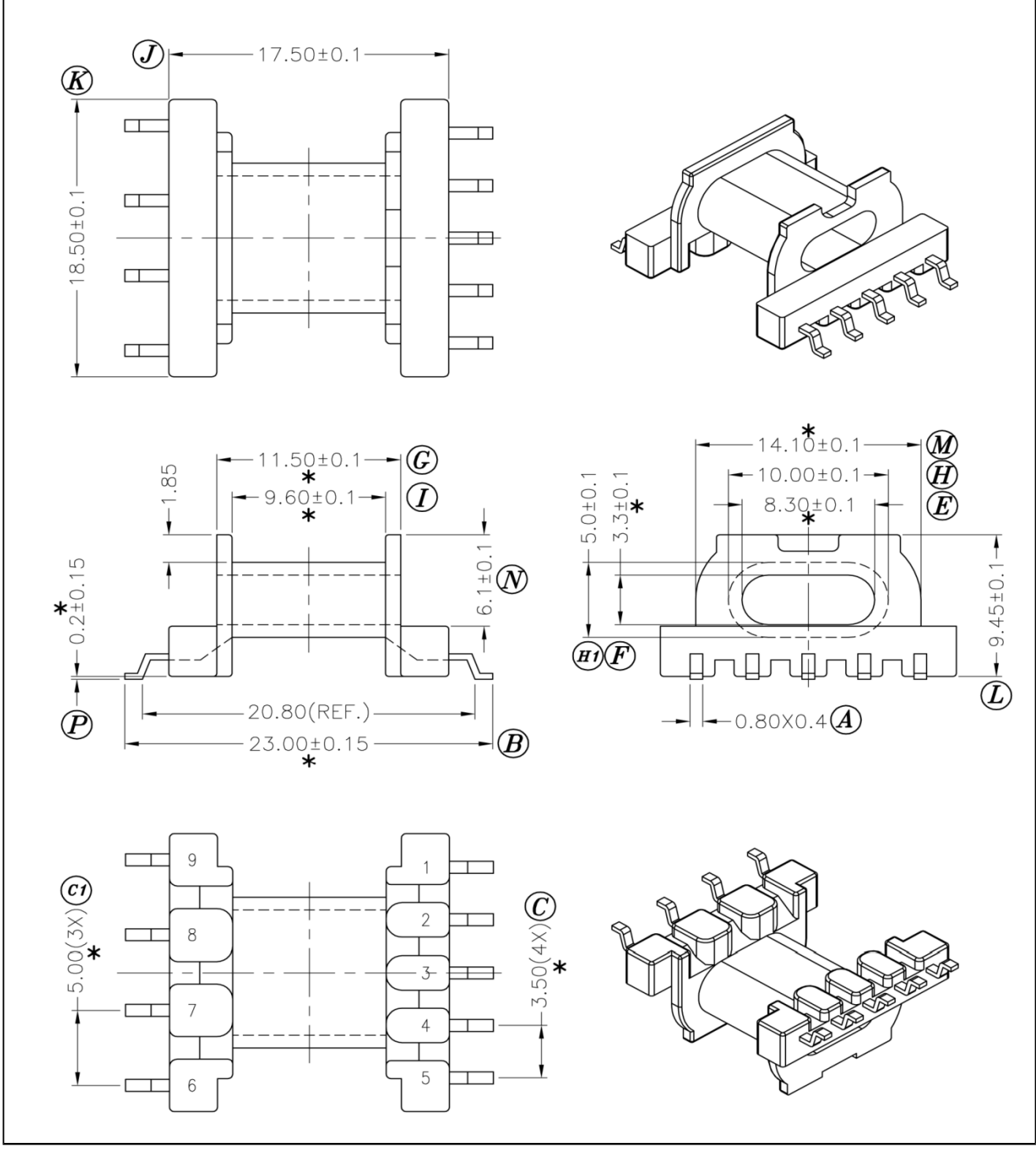


Dimensions in mm

COPLANARITY: 0.2 MAX: Pin Pitch Tol: ± 0.3			
Country of Origin: China	RoHS Certified: YES	Tolerances: 0 < L ≤ 4: ±0.2 4 < L ≤ 16: ± 0.3 16 < L ≤ 63: ±0.4	
Bobbin Material: Sumitomo PM9630		Drawing Number: BEPC13-1110GADS-P-R1	
UL File: E41429	UL Rec: 94-V0	S-1310	Pin Material: Phosphor Bronze (DS)
MH&W International Corp		Pin Tension: 1.0Kgm min	Finish: Matte Sn
Phone 201-891-8800 Email: sales@mhw-intl.com		Part Number: BEPC13-1110GADS-P	

BEPC17-119GADS-P

Revisions			
R1	6/24/2015	updated tolerance	gvs

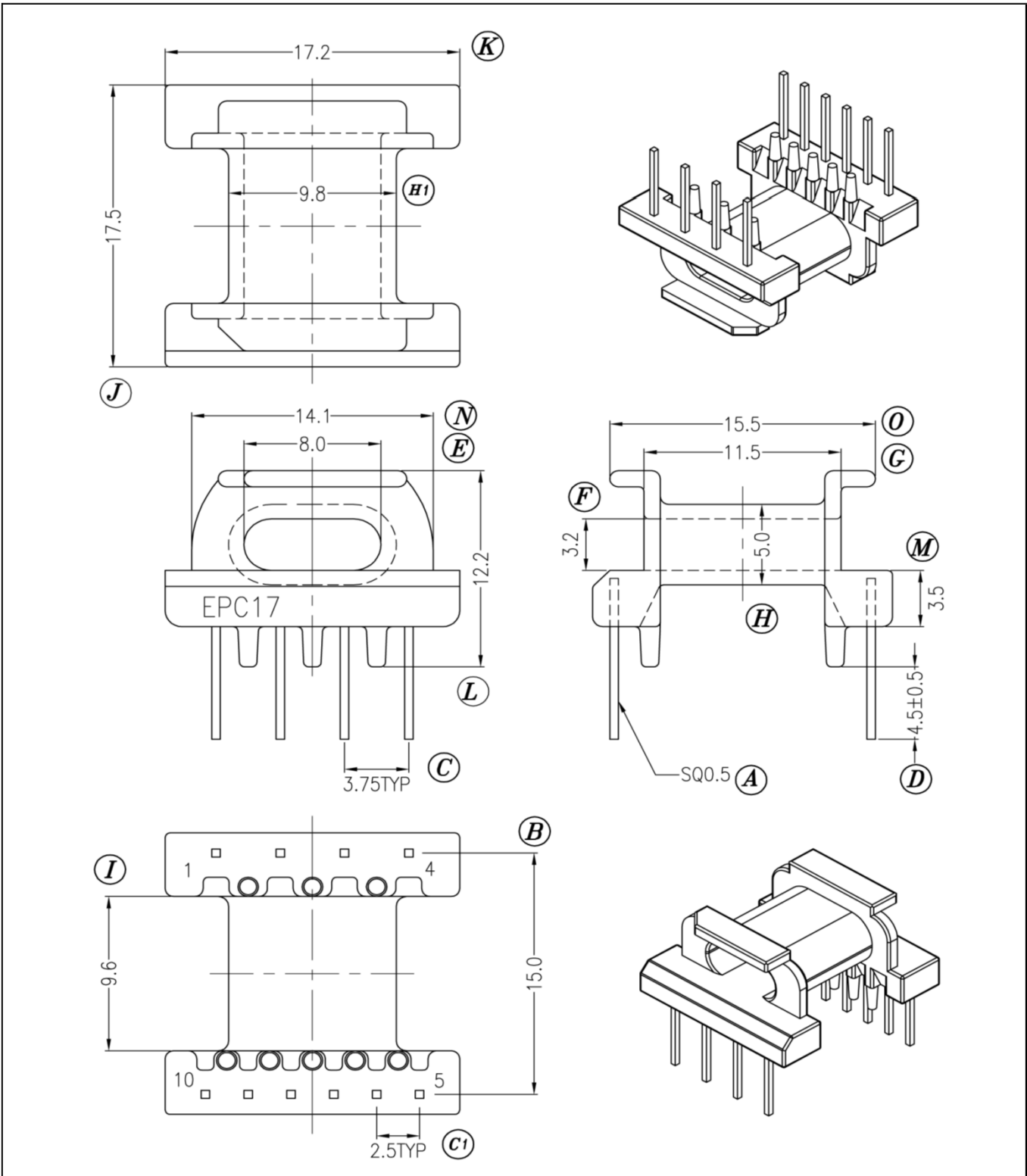


Dimensions in mm

Tolerances: $0 < L \leq 4$: ± 0.2 $4 < L \leq 16$: ± 0.3 $16 < L \leq 63$: ± 0.4		Coplanarity: 0.1 max	Pin Pitch tolerance: ± 0.2
Country of Origin: China	RoHS Certified: YES	UL Molder Certification: E163831	
Bobbin Material: Phenolic Sumitomo PM9630		Drawing Number: BEPC17-119GADS-P-R1	
UL File: E41429	UL Rec: 94-V0	S-1701	Pin Material: Phosphor Bronze (DS)
MH&W International Corp Phone 201-891-8800 Email: sales@mhw-intl.com		Pin Tension: 1.0Kgm min	Finish: matte Sn
		Part Number: BEPC17-119GADS-P	

BEPC17-1110CPH-P-SQ4.5

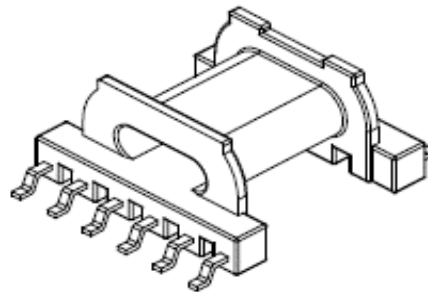
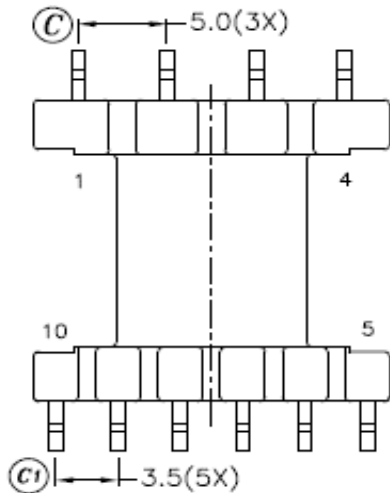
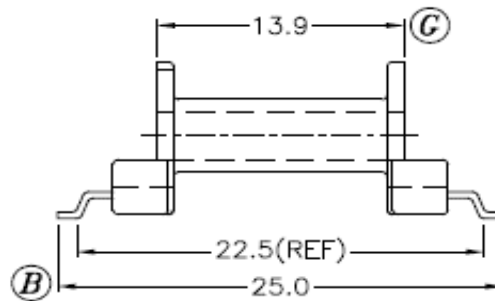
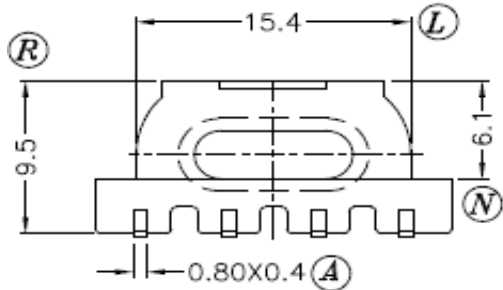
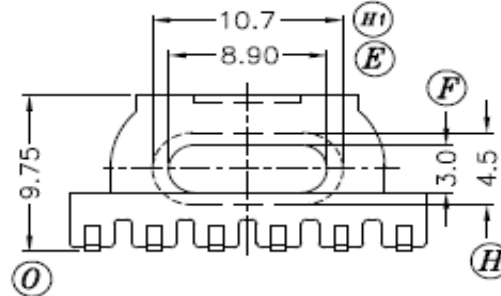
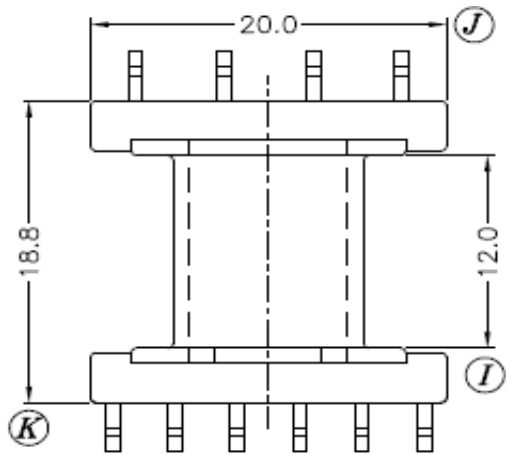
Revisions			
R1	2015/04/01	Updated tolerances	gvs
R2	2015/07/01	Updated Part Number	gvs



Pin Pitch: ± 0.3		Dimensions in mm	
Country of Origin: China	RoHS Certified: YES	Tolerances: 0<L≤4 ±0.2; 4<L≤16 ±0.3; 16<L≤63 ±0.4	
Bobbin Material: Phenolic Sumitomo PM9820		Drawing Number: BEPC17-1110CPH-P-SQ4.5-R2	
UL File: E41429	UL Rec: 94-V0	P-1705	Pin Material: Steel Wire (CP)
MH&W International Corp Phone 201-891-8800 Email: sales@mhw-intl.com		Pin Tension: 1.0Kgm min	Finish: matte Sn
		Part Number: BEPC17-1110CPH-P-SQ4.5	

BEPC19-1110GADS-P

Revisions			
R1	2015/06/24	Updated dimensions & tolerances	gvs
R2	2018/06/12	Added tolerance note for Lead Pitch and location.	dar

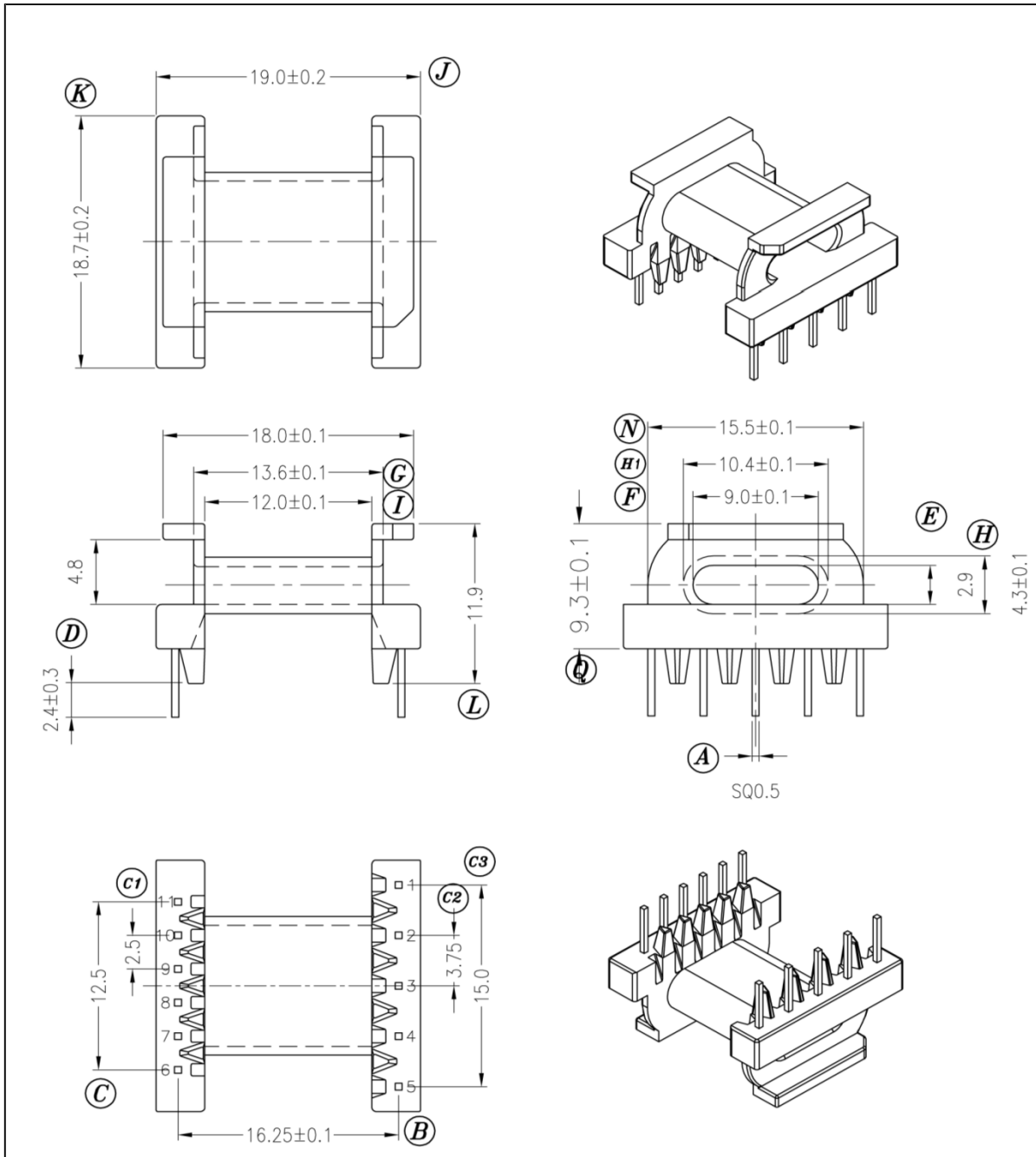


* (C, C1) Lead Pitch is Nominal. Tolerance applied to individual lead locations.

UL Molder Certification: E163831		Dimensions in mm	
Country of Origin: China	RoHS Certified: YES	Tolerances: 0<L≤4 ±0.2; 4<L≤16 ±0.3; 16<L≤63 ±0.4	
Bobbin Material: PHENOLIC PM9820		Drawing Number: BEPC19-1110GADS-P	
UL File: E41429	UL Rec: 94-V0	S-1901	Pin Material: PHOSPHOR BRONZE (DS)
MH&W International Corp		Pin Tension: 1.0Kgm min	Finish: Matte Sn
Phone 201-891-8800 Email: sales@mhw-intl.com		Part Number: BEPC19-1110GADS-P	

BEPC19-1111CPH-P-SQ2.4

Revisions	
1	Added country of origin & RoHS
2	Update Description

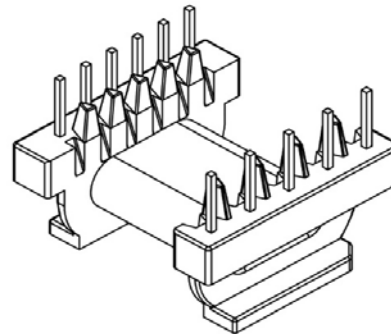
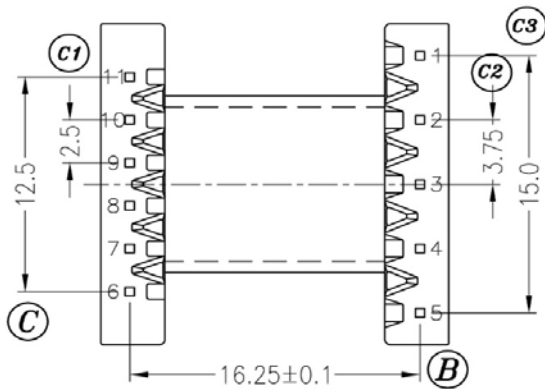
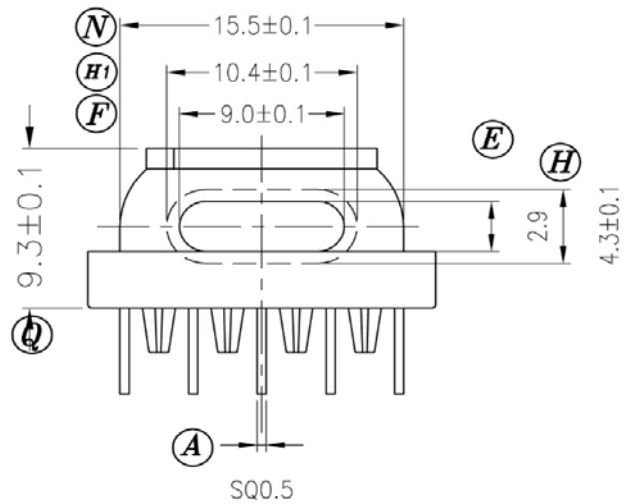
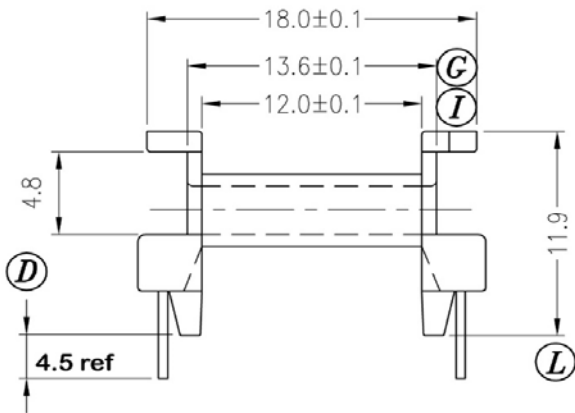
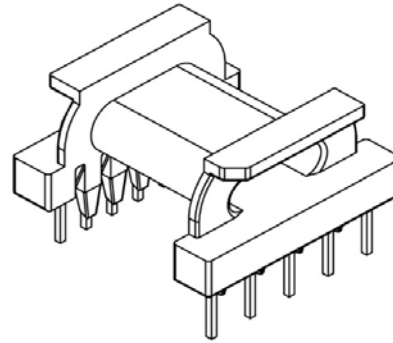
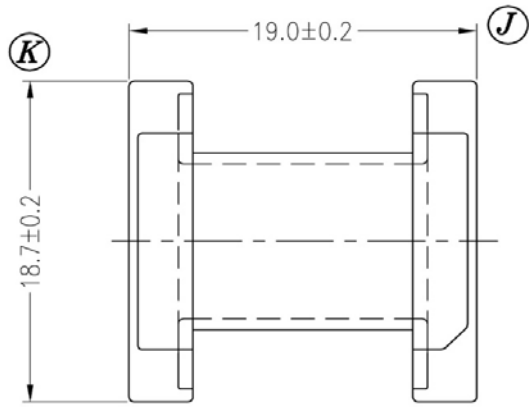


Dimensions in mm

Country of Origin: China	RoHS Certified: YES	Molder Certification: E163831
Bobbin Material: Phenolic Sumitomo PM9630	Drawing Number: BEPC19-1111CPH-P-SQ2.4	
UL File: E41429	UL Rec: 94-V0	P-1917-1
Pin Material: Steel Wire (CP)		Pin Tension: 0.9Kgm min
Finish: Matte Sn		Part Number: BEPC19-1111CPH-P-SQ2.4
MH&W International Corp Phone 201-891-8800 Email: sales@mhw-intl.com		

BEPC19-1111CPH-P-SQ4.5

Revisions			
R1	2015/06/20	Updated dimensions & tolerances	gvs

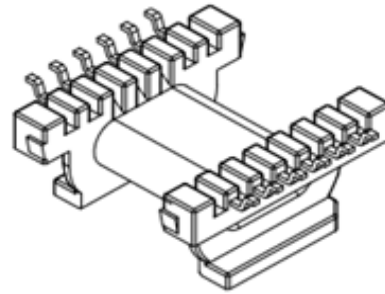
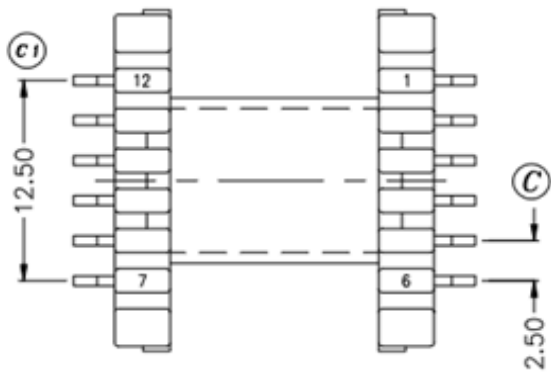
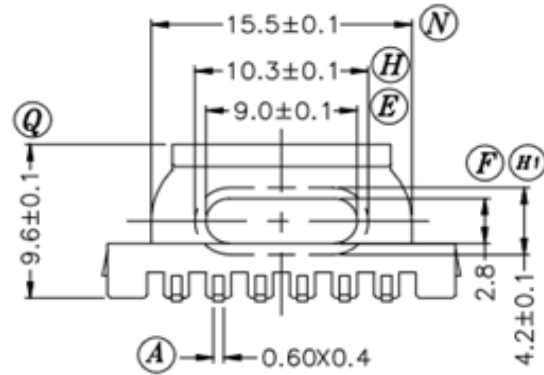
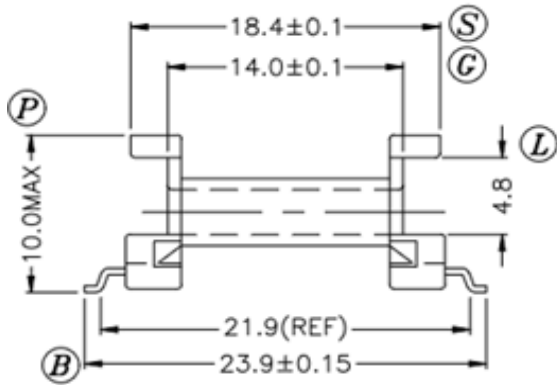
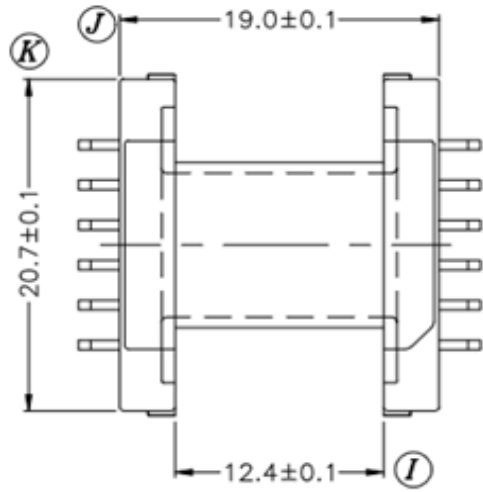


Dimensions in mm

Inventory #: P-1917-1-P4.5	Pin Pitch ± 0.3 mm	Tolerances: $0 < L \leq 4 \pm 0.2$; $4 < L \leq 16 \pm 0.3$; $16 < L \leq 63 \pm 0.4$	
Country of Origin: China	RoHS Certified: YES	Molder Certification: E163831	
Bobbin Material: Phenolic Sumitomo PM9630		Drawing Number: BEPC19-1111CPH-P-SQ4.5-R1	
UL File: E41429	UL Rec: 94-V0	Pin Material: Steel Wire (CP)	
MH&W International Corp Phone 201-891-8800 Email: sales@mhw-intl.com		Pin Tension: 1.0 Kgm min	Finish: Matte Sn
		Part Number: BEPC19-1111CPH-P-SQ4.5	

BEPC19-1112GADS-P

Revisions	Date	Description	By
-	2025/04/01	INITIAL ISSUE	dr



UL Molder Certification: E163831

Dimensions in mm

Country of Origin: China

RoHS Certified: YES

Tolerances: $0 < L \leq 4 \pm 0.2$; $4 < L \leq 16 \pm 0.3$; $16 < L \leq 63 \pm 0.4$

Bobbin Material: PHENOLIC PM9630

Drawing Number: BEPC19-1112GADS-P

UL File: E41429

UL Rec: 94-V0

S-1905

Pin Material: PHOSPHOR BRONZE (DS)

MH&W International Corp

Pin Tension: 2.0Kgm min

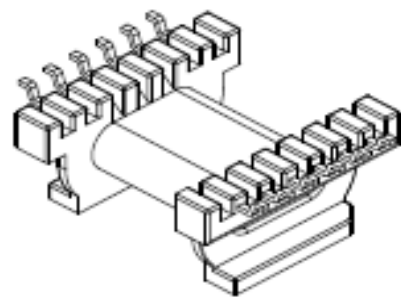
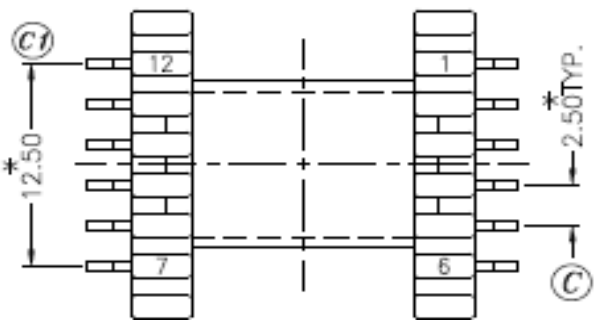
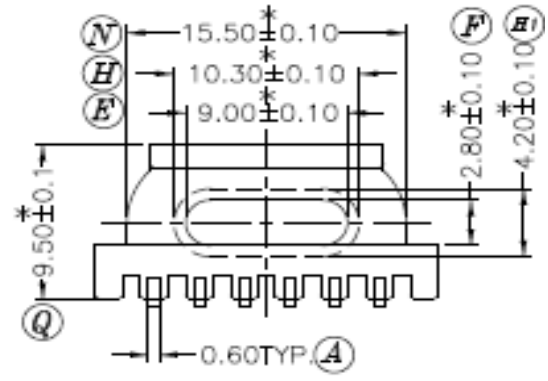
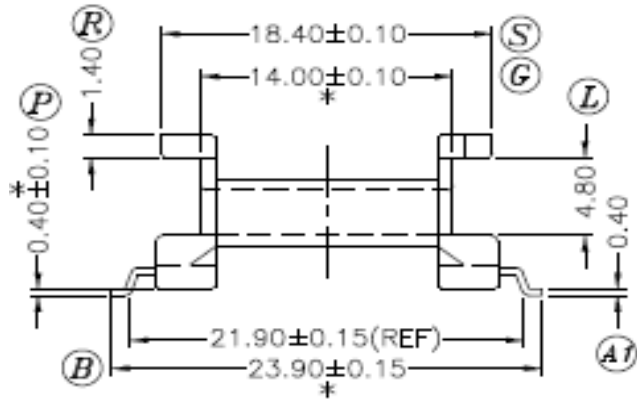
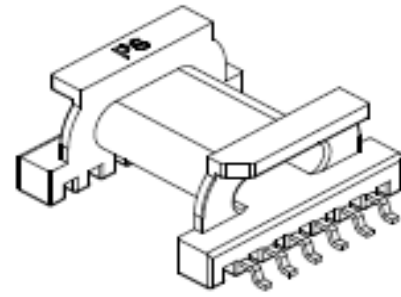
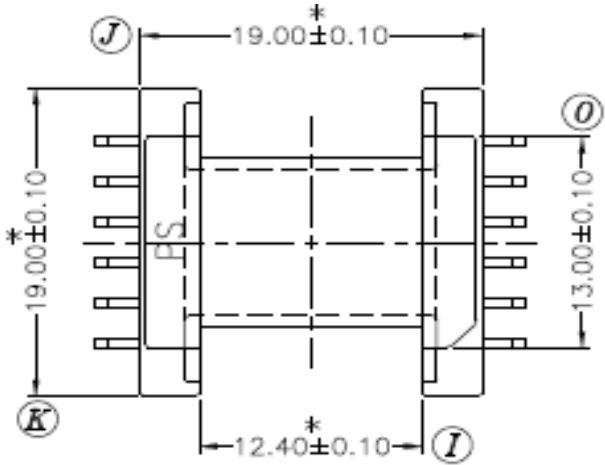
Finish: Matte Sn

Phone 201-891-8800 Email: sales@mhw-intl.com

Part Number: BEPC19-1112GADS-P

BEPC19-L110GADS-P

Revisions	Date	Description	By
-	2015/06/24	Initial issue	dr

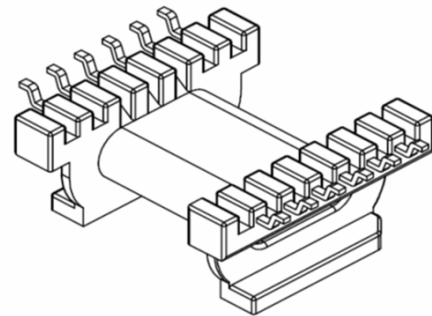
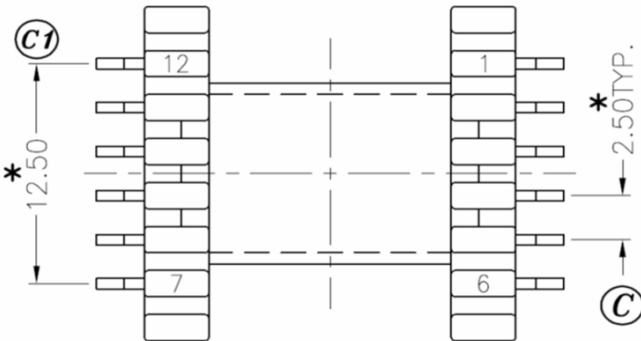
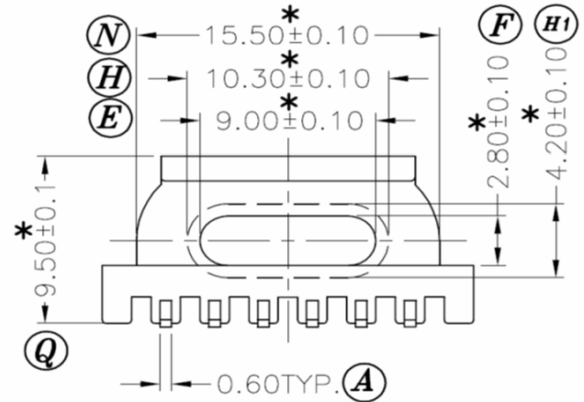
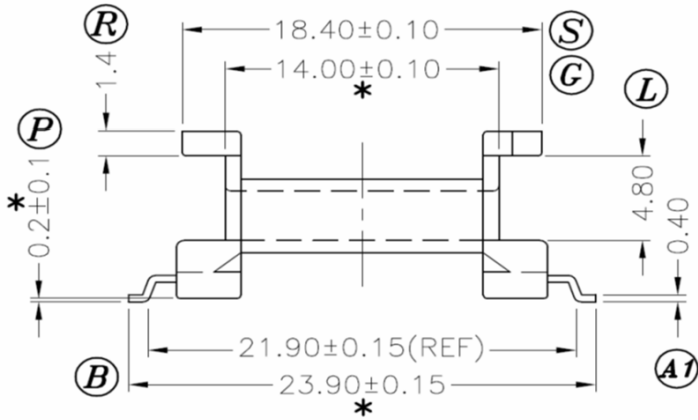
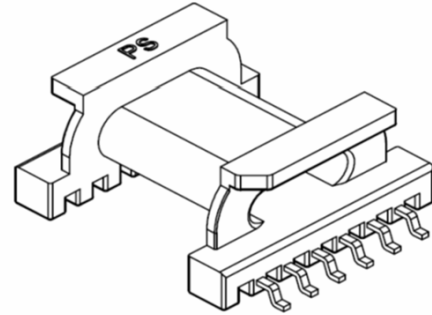
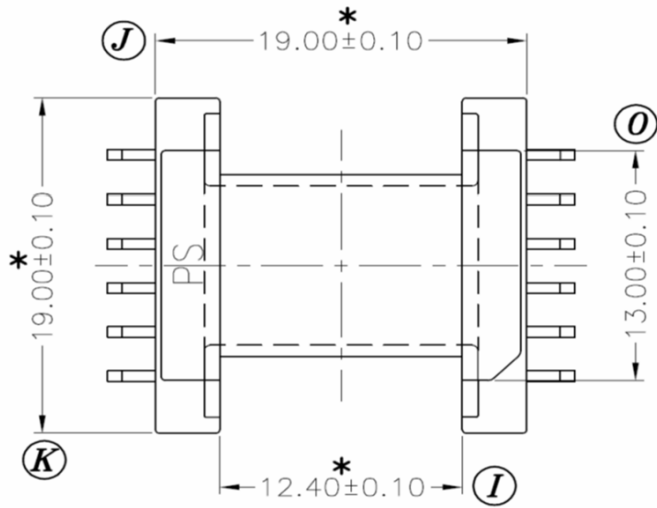


* (C, C1) Lead Pitch is Nominal. Tolerance applied to individual lead locations.

UL Molder Certification: E163831		Dimensions in mm	
Country of Origin: China	RoHS Certified: YES	Tolerances: 0<L≤4 ±0.2; 4<L≤16 ±0.3; 16<L≤63 ±0.4	
Bobbin Material: LCP Sumitomo E4008		Drawing Number: BEPC19-L110GADS-P	
UL File: E54705	UL Rec: 94-V0	S-1904-2	Pin Material: PHOSPHOR BRONZE (DS)
MH&W International Corp		Pin Tension: 1.0Kgm min	Finish: Matte Sn
Phone 201-891-8800 Email: sales@mhw-intl.com		Part Number: BEPC19-L110GADS-P	

BEPC19-L112GADS-P

Revisions			
-	2015/12/01	Initial Release	gvs

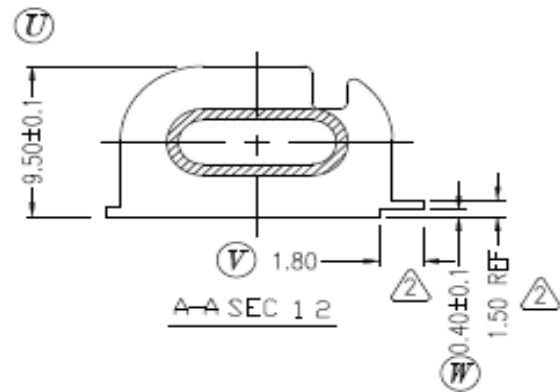
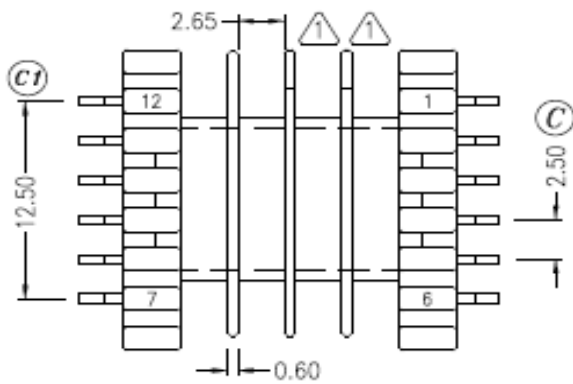
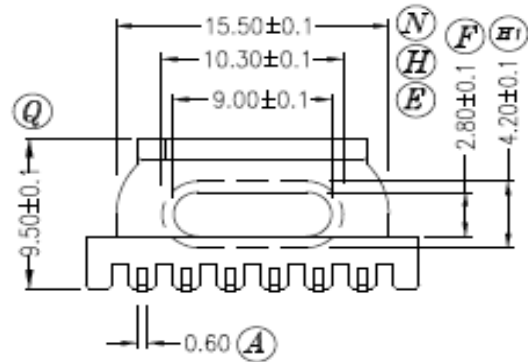
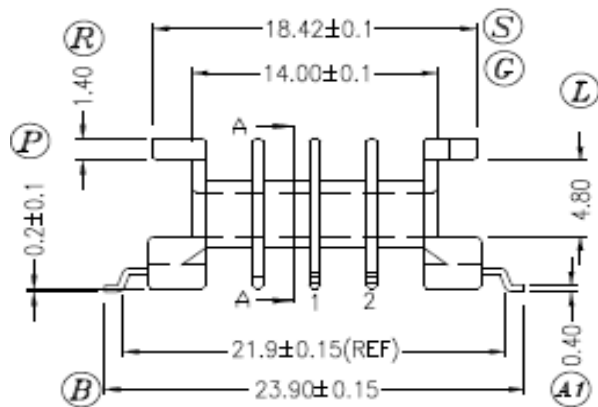
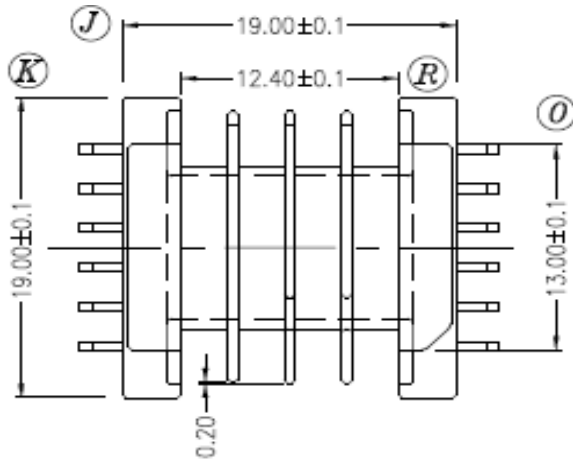


Dimensions in mm

Inventory #: S-1904-1	Pin Pitch: Typical Value	Tolerances: 0<L≤4 ±0.2; 4<L≤16 ±0.3; 16<L≤63 ±0.4	
Country of Origin: China	RoHS Certified: YES	Molder Certification: E163831	
Bobbin Material: LCP Sumitomo E4008 (k)		Drawing Number: BEPC19-L112GADS-P	
UL File: E54705	UL Rec: 94-V0	Pin Material: Steel Wire (CP)	
MH&W International Corp Phone 201-891-8800 Email: sales@mhw-intl.com		Pin Tension: 1.0 Kgm min	Finish: Matte Sn
		Part Number: BEPC19-L112GADS-P	

BEPC19-L412GADS-P

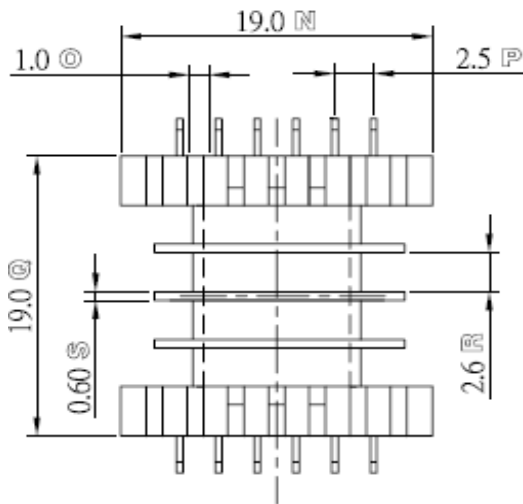
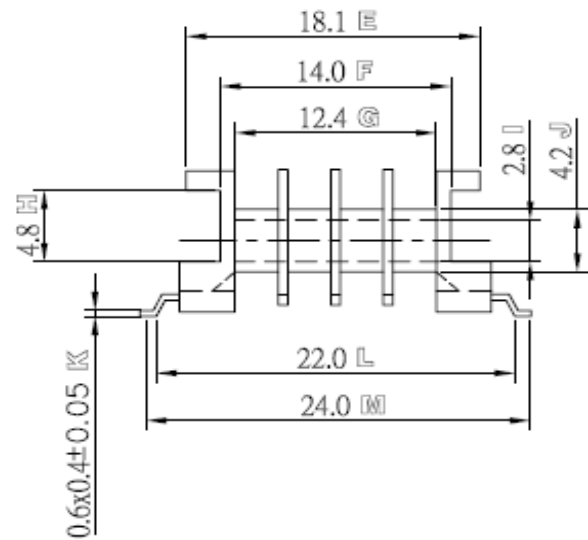
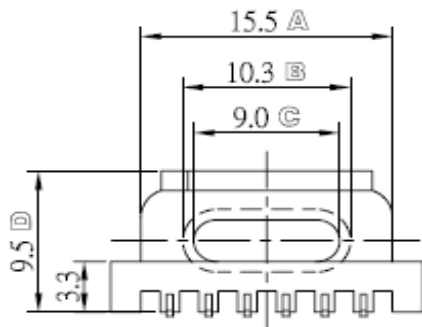
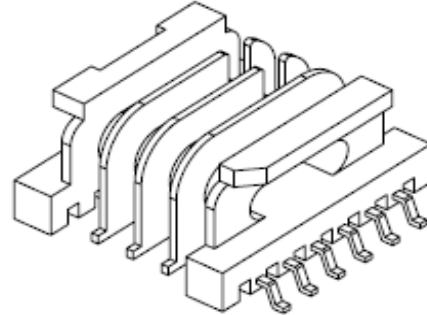
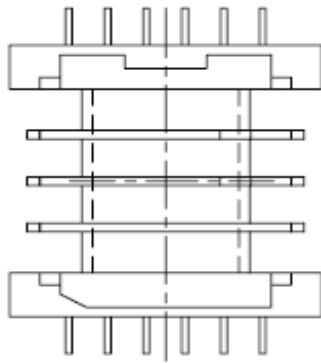
REV	DATE	DESCRIPTION	BY
-	2025/12/11	INITIAL ISSUE	dr



Tolerances: $0 < L \leq 4 \pm 0.2$; $4 < L \leq 16 \pm 0.3$; $16 < L \leq 63 \pm 0.4$		Pin Pitch: ± 0.2	Dimensions in mm
Country of Origin: China	RoHS Certified: YES	Title: BOBBIN SMD EPC19 12 PIN	
UL Molder Certification: E163831		Drawing Number: BEPC19-L412GADS-P	
Bobbin Material: Sumitomo E4008 LCP		Pin Material: Phosphor Bronze (DS)	Finish: Matte Sn
UL File: E54705	UL Rec: 94-V0	S-1906-1	Pin Tension: 1.0 Kgm min
MH&W International Corp		Part Number: BEPC19-L412GADS-P	
Phone 201-891-8800 Email: sales@mhw-intl.com			

BEPC19-L412GADS-S

REV	DATE	DESCRIPTION	BY
-	2021/04/22	INITIAL ISSUE	dr



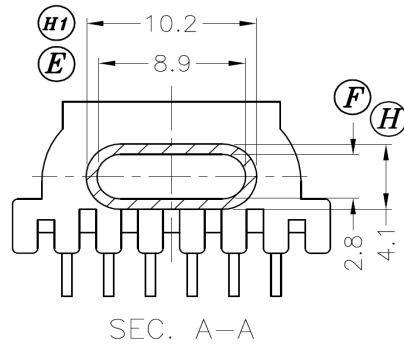
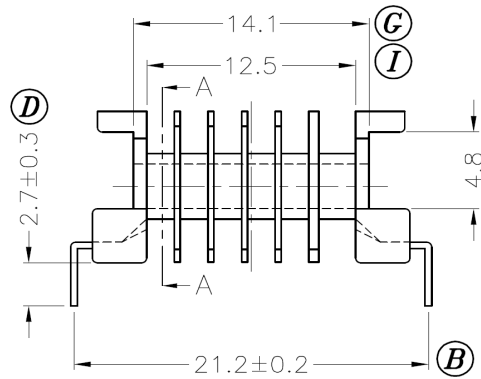
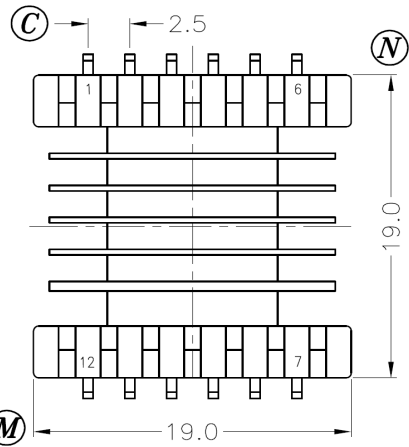
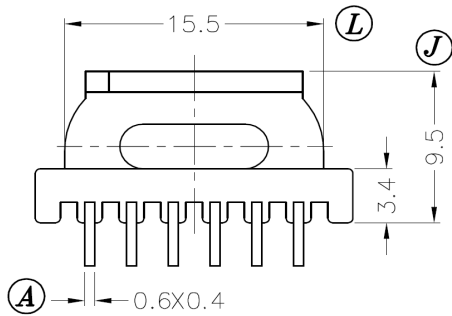
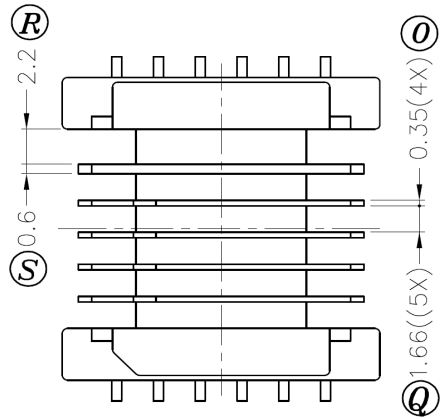
Inventory #: SMD-EPC-19-004

Dimensions in mm

Country of Origin: China	RoHS Certified: YES	UL Molder Certification: E149570
Bobbin Material: LCP Sumitomo E4008	Drawing Number: BEPC19-L412GADS-S	
UL File: E59481	UL Rec: 94-V0	Pin Material: Phosphor Bronze (DS)
MH&W International Corp		Pin Tension: 0.5Kgm min
Phone 201-891-8800 Email: sales@mhw-intl.com		Finish: matte Sn
Part Number: BEPC19-L412GADS-S		

BEPC19-L612DS-P

Revisions			



Dimensions in mm

Country of Origin: China RoHS Certified: YES

Bobbin Material: Sumitomo E4008 (k)

UL File: E54705 UL Rec: 94-V0 P-1916

MH&W International Corp

Phone 201-891-8800 Email: sales@mhw-intl.com

Drawing Number: BEPC19-L612DSH-P

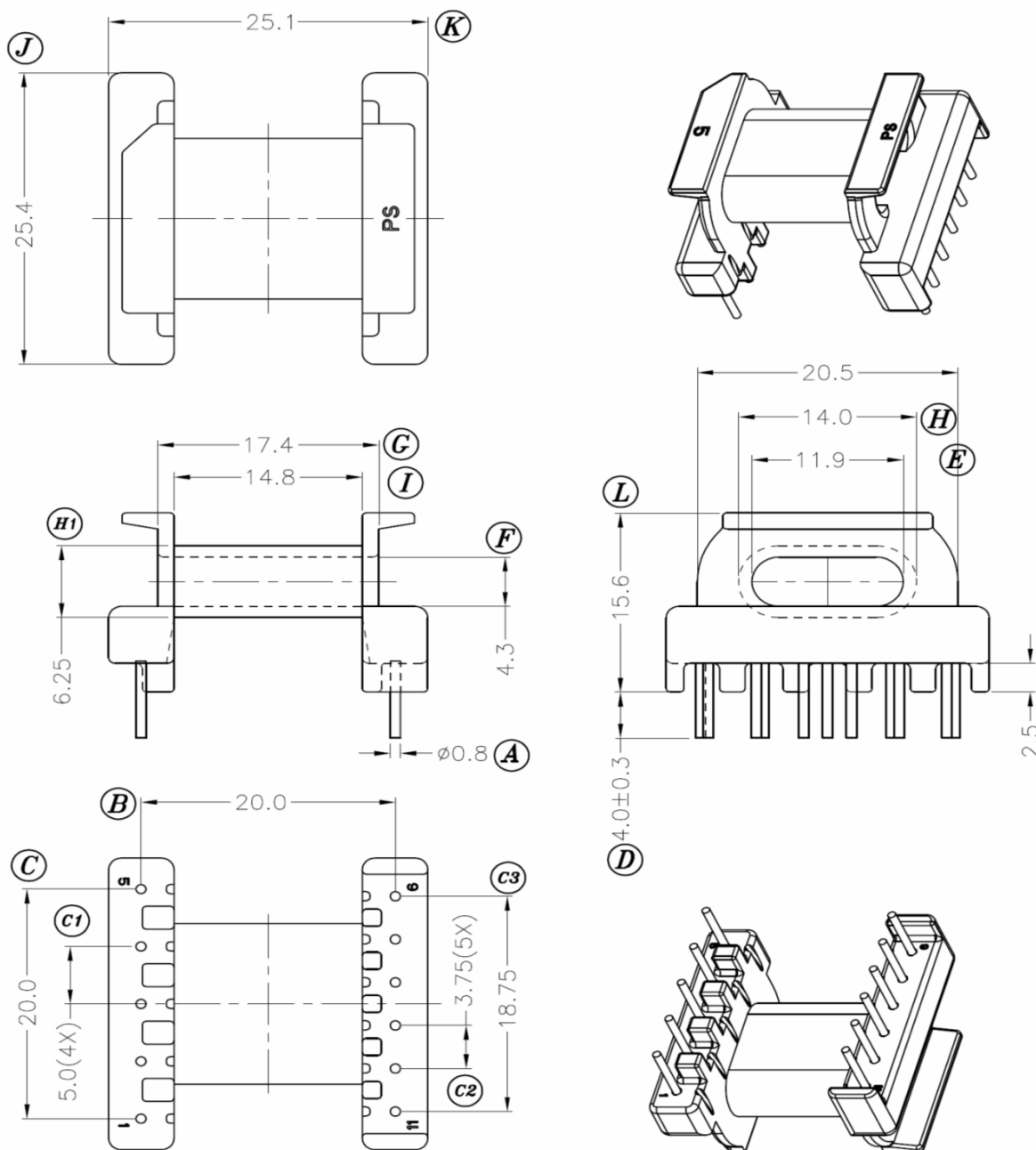
Pin Material: Phospher Bronze (DS)

Pin Tension: 1.5Kgm min Finish: e3 (JEDEC)

Part Number: BEPC19-L612DS-P

BEPC25-1111CPH-P-P4.0

Revisions			
R1	2015/04/01	Changed part number BEPC25-1111CPH-P > BEPC25-1111CPH-P-P4.0	gvs
R2	2015/05/28	Updated dimensions & tolerances	gvs

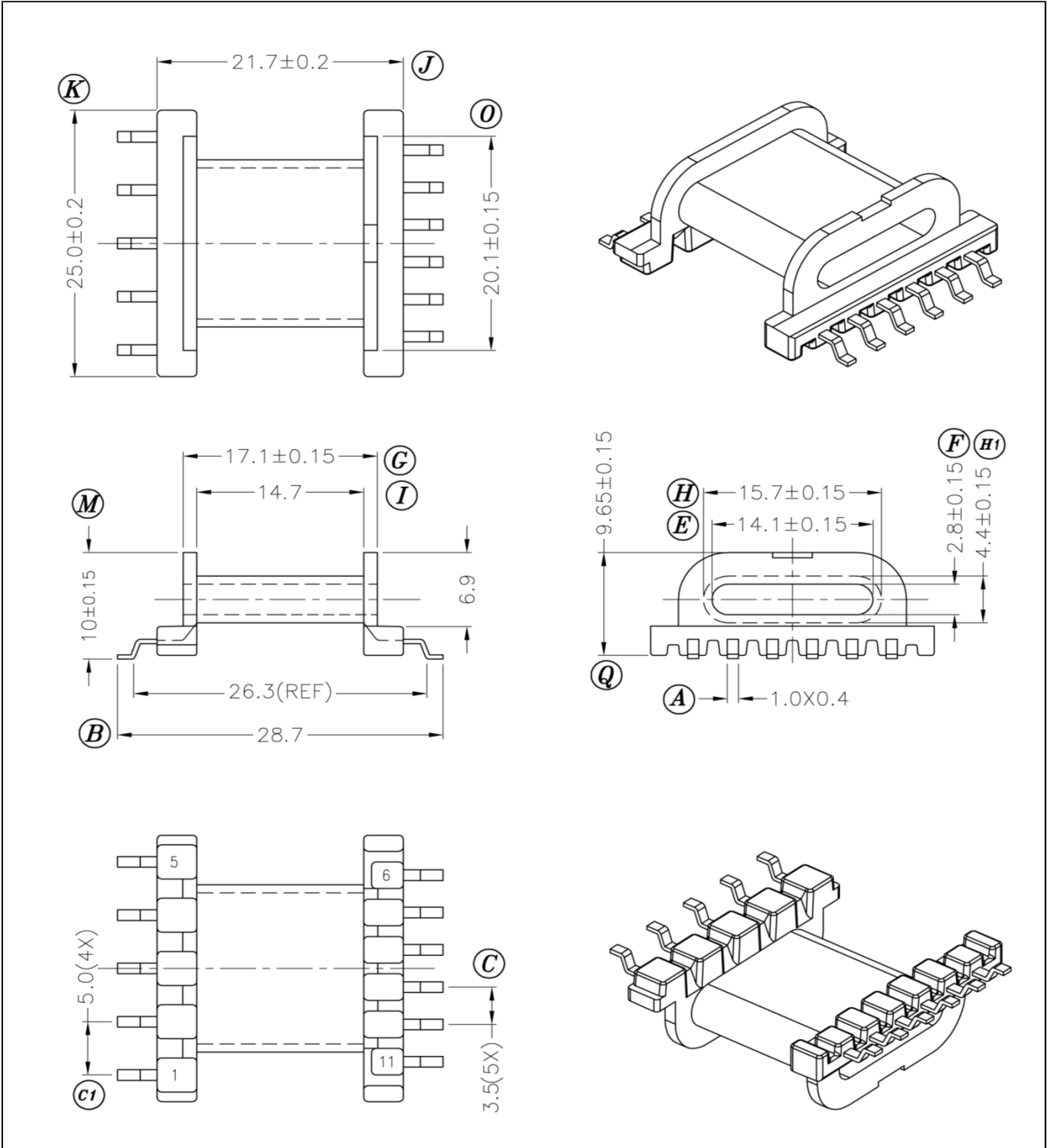


Dimensions in mm

Previous Part Number: BEPC25-1111CPH-P		Pin Pitch Tolerance: ± 0.2 : Pin Length tolerance: ± 0.3	
Country of Origin: China	RoHS Certified: YES	Tolerances: $0 < L \leq 4 \pm 0.2$; $4 < L \leq 16 \pm 0.3$; $16 < L \leq 63 \pm 0.4$	
Bobbin Material: CHANG CHUN PLASTICS T375J		Drawing Number: BEPC25-1111CPH-P-P4.0-R2	
UL File: E59481	UL Rec: 94-V0	P-2523-1	Pin Material: Steel Wire (CP)
MH&W International Corp		Pin Tension: 1.0Kgm min	Finish: Matte Sn
Phone 201-891-8800 Email: sales@mhw-intl.com		Part Number: BEPC25-1111CPH-P-P4.0	

BEPC25B-1111GADS-P

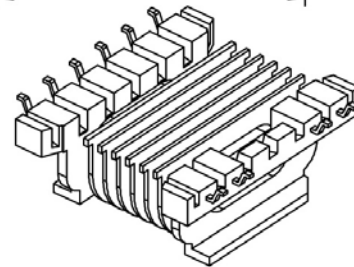
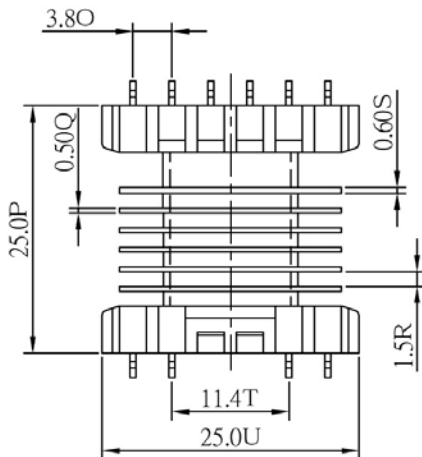
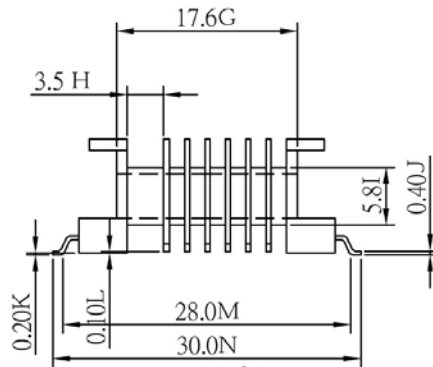
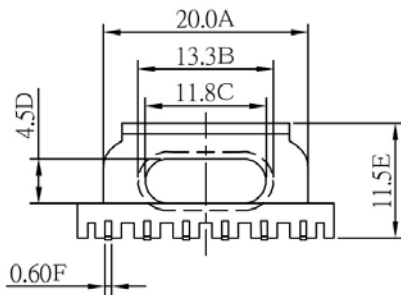
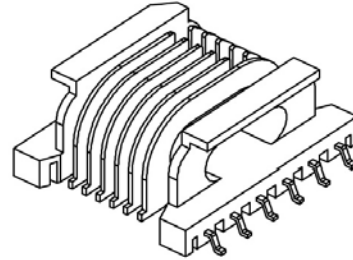
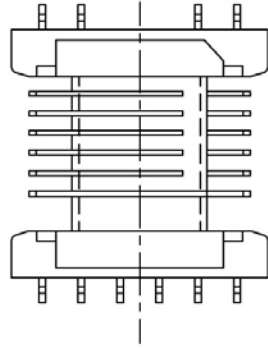
Revisions			
R1	2015/06/24	Updated tolerances	gvs



Pin Pitch Tolerance: ±0.3mm: Coplanarity: 0.2 max		Dimensions in mm	
Country of Origin: China	RoHS Certified: YES	Tolerances: 0<L≤4 ±0.2; 4<L≤16 ±0.3; 16<L≤63 ±0.4	
Bobbin Material: Phenolic Sumitomo PM9630		Drawing Number: BEPC25B-1111GADS-P-R1	
UL File: E41429	UL Rec: 94-V0	S-2502	Pin Material: Phosphor Bronze (DS)
MH&W International Corp Phone 201-891-8800 Email: sales@mhw-intl.com		Pin Tension: 1.5Kgm min	Finish: Matte Sn
		Part Number: BEPC25B-1111GADS-P	

BEPC25-L710GADS-S

Revisions			



Inventory #: SMD-EPC-25-001

Dimensions in mm

Country of Origin: China

RoHS Certified: YES

UL Molder Certification: E149570

Bobbin Material: LCP Sumitomo E4008

Drawing Number: BEPC25-L710GADS-S

UL File: E59481

UL Rec: 94-V0

Pin Material: Phosphor Bronze (DS)

MH&W International Corp

Pin Tension: 1.0Kgm min

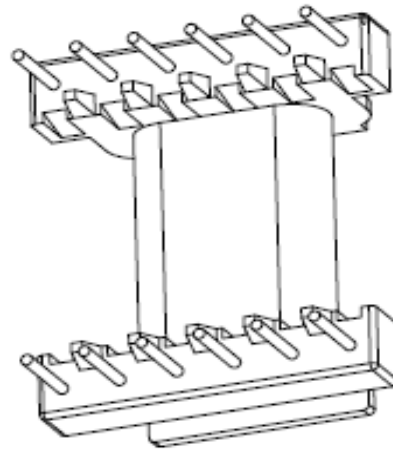
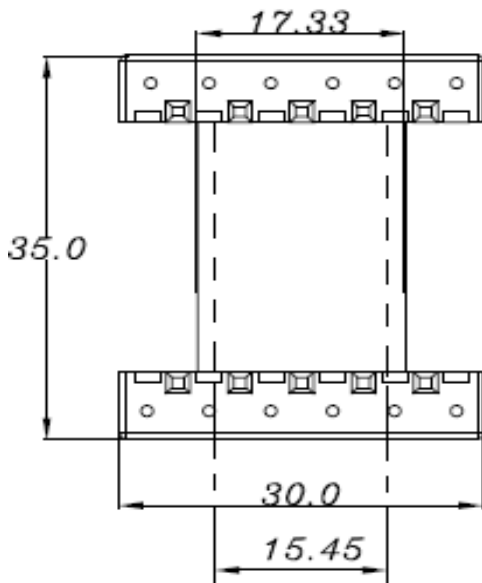
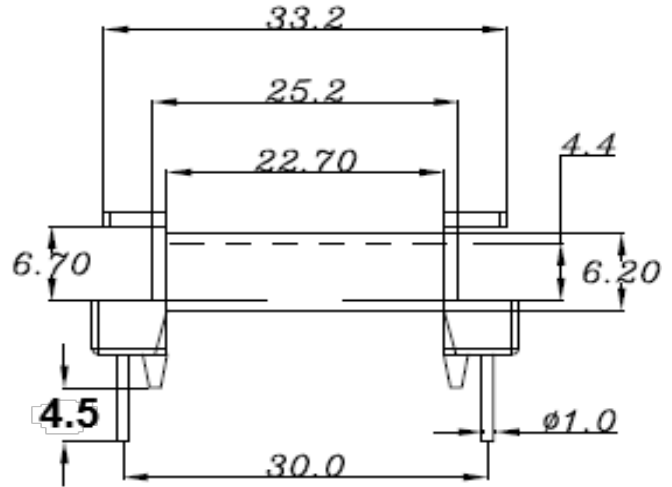
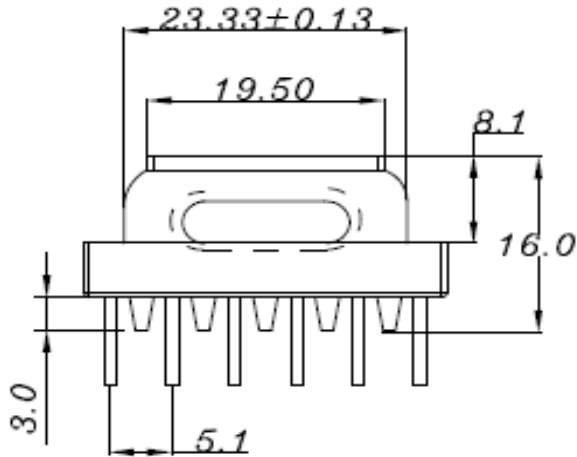
Finish: matte Sn

Phone 201-891-8800 Email: sales@mhw-intl.com

Part Number: BEPC25-L710GADS-S

BEPC30-1112CPH-PM-P4.5

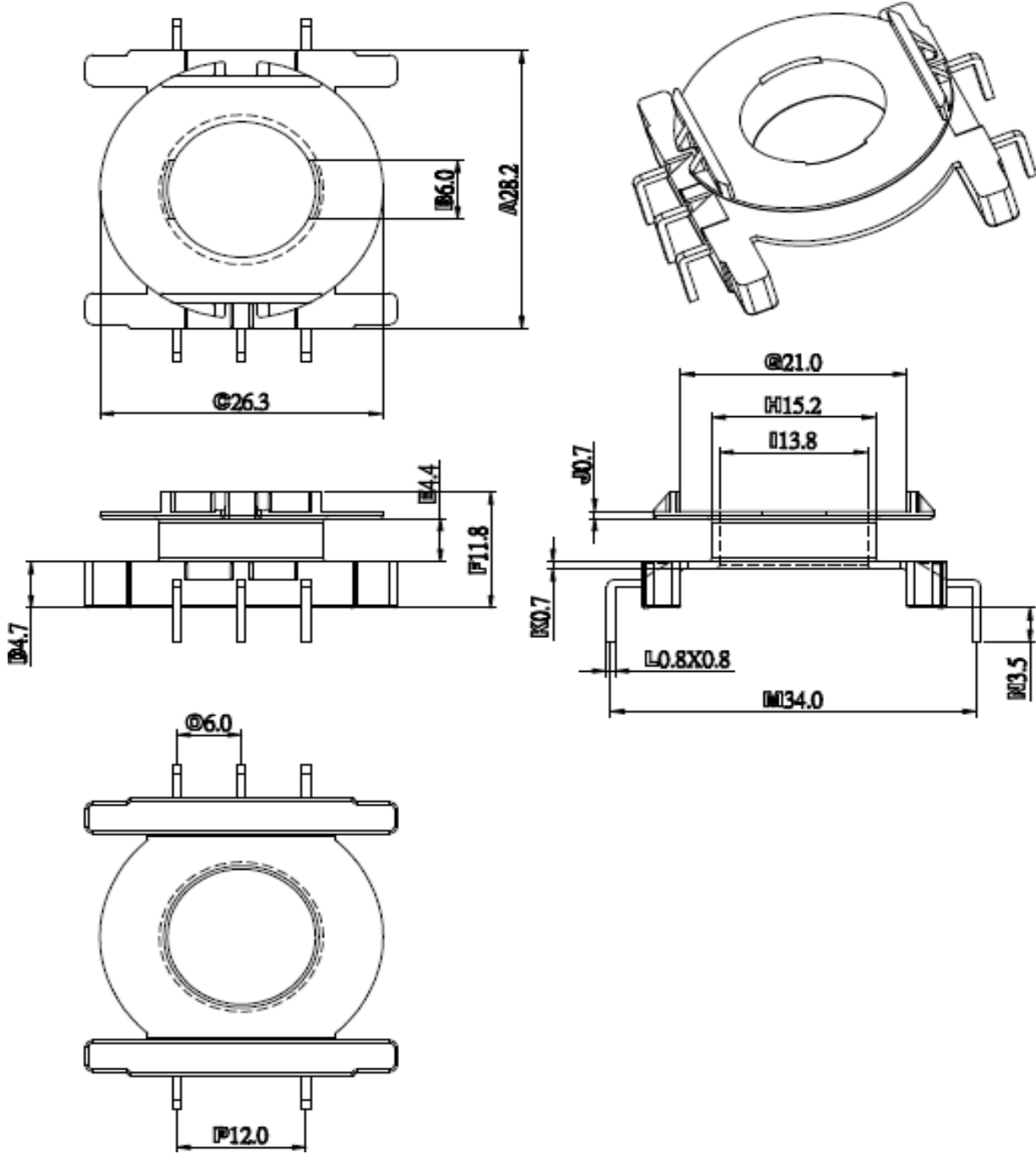
REV	DATE	DESCRIPTION	BY
-	2024/10/01	INITIAL ISSUE	dr



Tolerances: 0<L≤4 ±0.2; 4<L≤16 ±0.3; 16<L≤63 ±0.4		Pin Pitch: ± 0.3	Dimensions in mm
Country of Origin: China	RoHS Certified: YES	Title: BOBBIN EPC-30 (6+6P)	
UL Molder Certification: E315110		Drawing Number: BEPC30-1112CPH-PM-P4.5	
Bobbin Material: Phenolic Chang Chun T375HF		Pin Material: Steel Wire (CP)	
UL File: E59481	UL Rec: 94-V0	P-1311	Pin Tension: 1.5Kgm
Finish: CuSn (~2%Cu)		Part Number: BEPC30-1112CPH-PM-P4.5	
MH&W International Corp Phone 201-891-8800 Email: sales@mhw-intl.com			

BEQ30-115LCP-S-P3.5

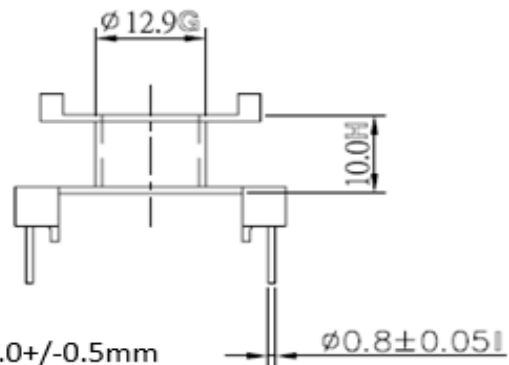
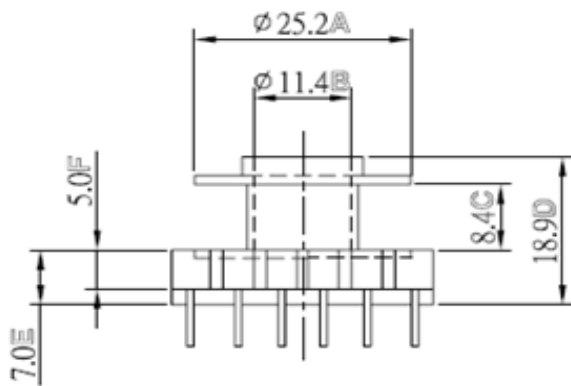
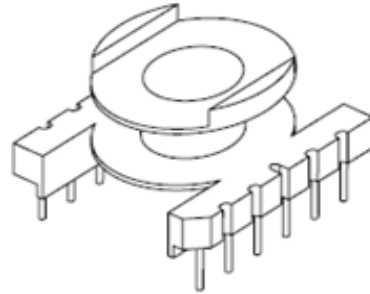
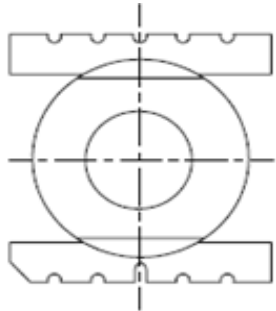
REV	DATE	DESCRIPTION	BY
-	2018/05/29	INITIAL ISSUE	dr



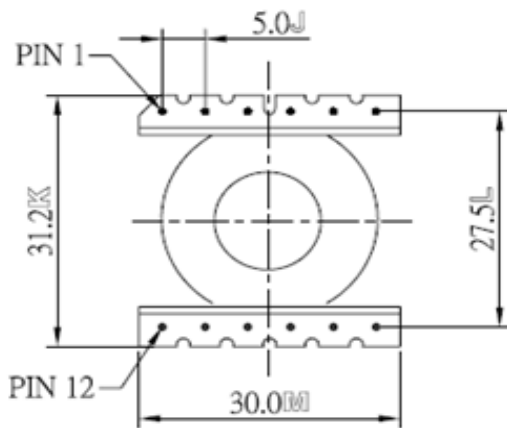
Tolerances: $0 < L \leq 4 \pm 0.2$; $4 < L \leq 16 \pm 0.3$; $16 < L \leq 63 \pm 0.4$		Pin Pitch: ± 0.2	Dimensions in mm
Country of Origin: China	RoHS Certified: YES	Title: BOBBIN EQ-30 5 Pin	
UL Molder Certification: E149570		Drawing Number: BEQ30-115LCP-S-P3.5	
Bobbin Material: Sumitomo PM9820		Pin Material: Steel Wire (CP)	Finish: Sn
UL File: E41429	UL Rec: 94-V0	EQ-30H-1-L	Pin Tension: 1.0 Kgm min.
MH&W International Corp		Part Number: BEQ30-115LCP-S-P3.5	
Phone 201-891-8800 Email: sales@mhw-intl.com			

BEQ30-1110CP-S-P4.0

REV	DATE	DESCRIPTION	BY
-	2018/05/29	INITIAL ISSUE	dr



Pin length is 4.0+/-0.5mm from standoff.



Tolerances: 0<L≤4 ±0.2; 4<L≤16 ±0.3; 16<L≤63 ±0.4

Pin Pitch: ± 0.2

Dimensions in mm

Country of Origin: China

RoHS Certified: YES

Title:

BOBBIN EQ-30 10 Pin

UL Molder Certification: E149570

Bobbin Material: Chang Chung Plastics T375HF

Drawing Number: BEQ30-1110CP-S-P4.0

UL File: E59481

UL Rec: 94-V0

EQ-30

Pin Material: Steel Wire (CP)

Finish: Sn

MH&W International Corp

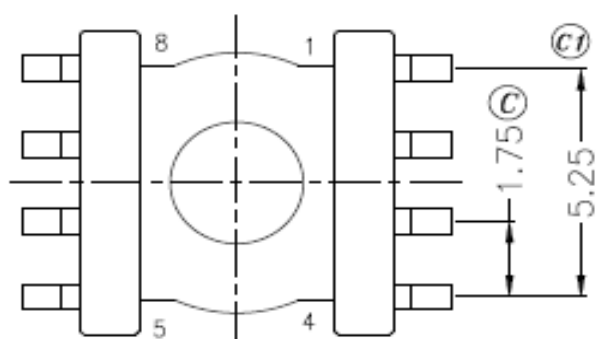
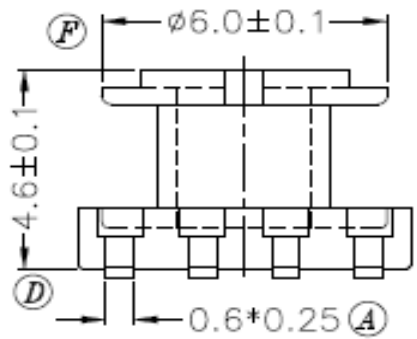
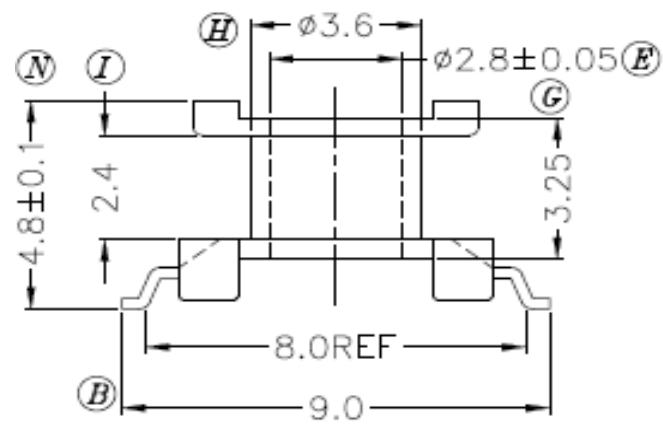
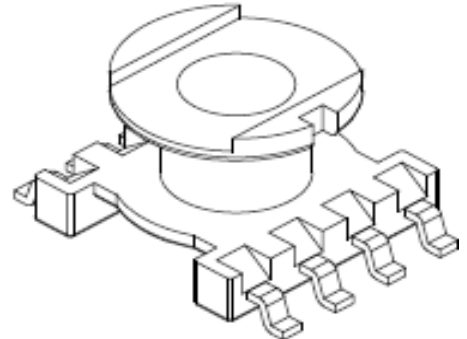
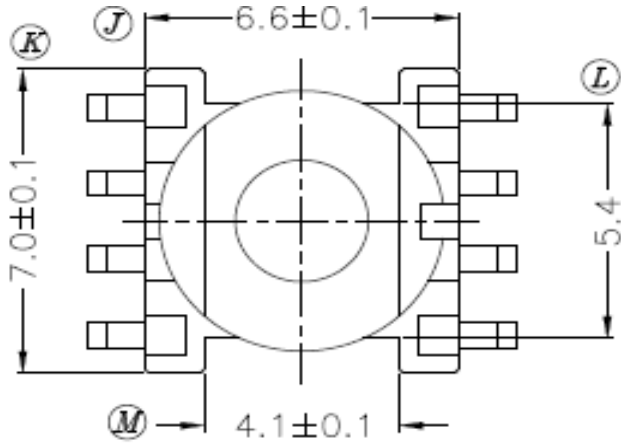
Pin Tension: 1.0 Kgm min.

Phone 201-891-8800 Email: sales@mhw-intl.com

Part Number: BEQ30-1110CP-S-P4.0

BER7.5-118GADS-P

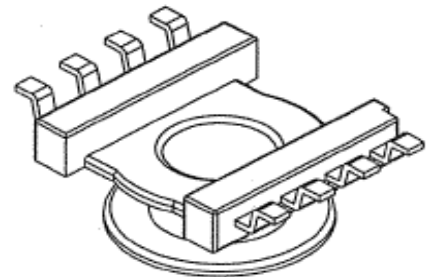
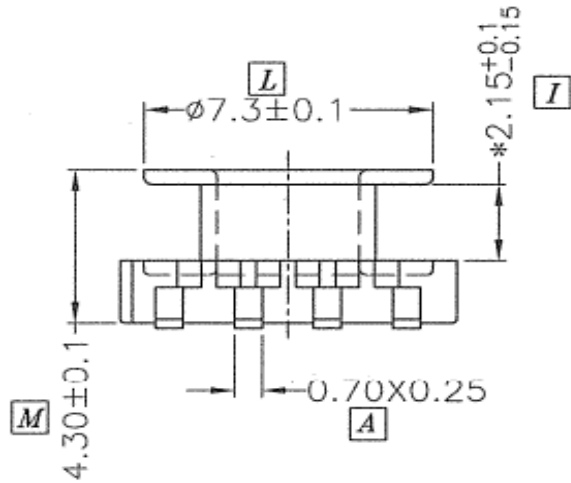
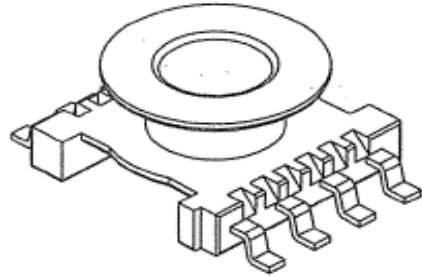
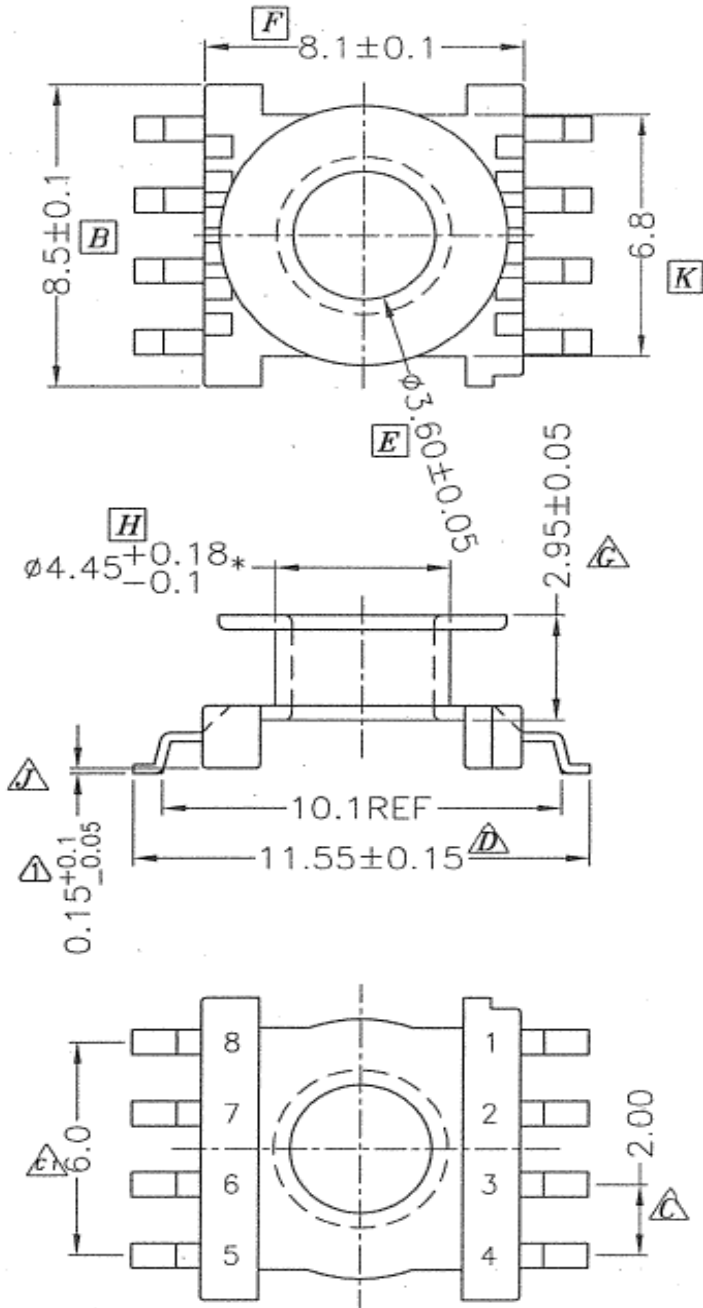
REV	DATE	DESCRIPTION	BY
-	2023/11/15	INITIAL ISSUE	dr



Tolerances: 0<L≤4 ±0.2; 4<L≤16 ±0.3; 16<L≤63 ±0.4		Pin Pitch: ± 0.2	Dimensions in mm
Country of Origin: China	RoHS Certified: YES	Title: ER7.5 SMD BOBBIN 12 PIN	
UL Molder Certification: E163831		Drawing Number: BER7.5-118GADS-P	
Bobbin Material: Sumitomo PM9630		Pin Material: Phosphor Bronze	Finish: Tin
UL File: E41429	UL Rec: 94-V0	S-707-1	Pin Tension: 1.0 KG MIN
MH&W International Corp		Part Number: BER7.5-118GADS-P	
Phone 201-891-8800 Email: sales@mhw-intl.com			

BER09.5/05-118GADS-P

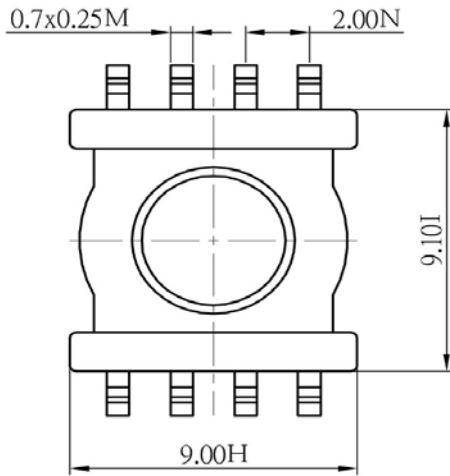
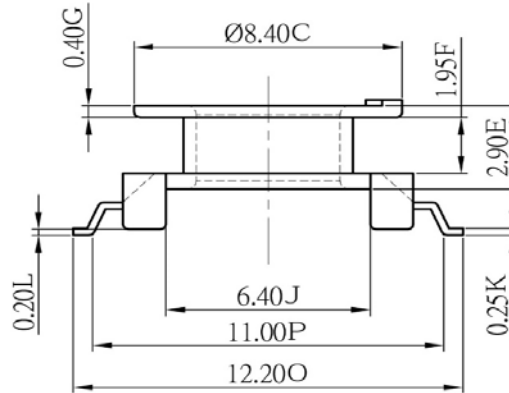
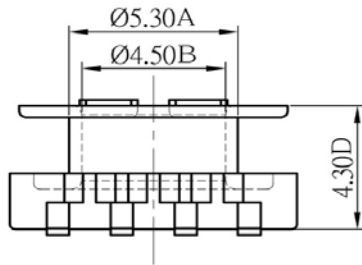
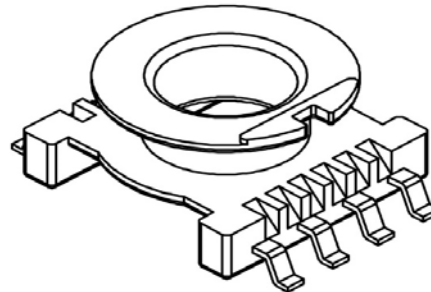
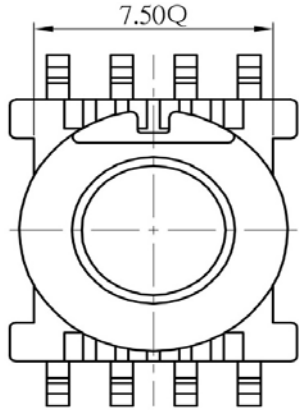
Revisions	Date	Description	By
1	1/17/14	Added country of origin & RoHS	gvs
2	5/15/2019	Updated dimensions	dr



Country of Origin: China		RoHS Certified: YES	Dimensions in mm	
Bobbin Material: Sumitomo PM9630			Drawing Number: BER09.5/05-118GADS-P-R2	
UL File: E41429	UL Rec: 94-V0	S-900-1	Pin Material: Phosphor Bronze (DS)	
MH&W International Corp		Phone	Pin Tension: 1.0Kg min	Finish: e3 (JEDEC)
201-891-8800 Email: sales@mhw-intl.com			Part Number: BER09.5/05-118GADS-P	

BER11/05-118DSGA-W

Revisions			



Reference: SMD-ER-11.5-002

Dimensions in mm

Country of Origin: China

RoHS Certified: YES

UL Molder Certification: E149570

Bobbin Material: PHENOLIC SUMITOMO PM-9630

Drawing Number: BER11_05DSGA-W

UL File: E41429

UL Rec: 94-V0

Pin Material: Steel Wire (CP)

MH&W International Corp

Phone

Pin Tension: 1.5Kgm min

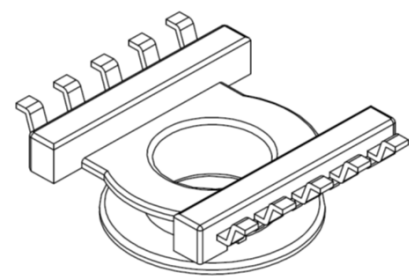
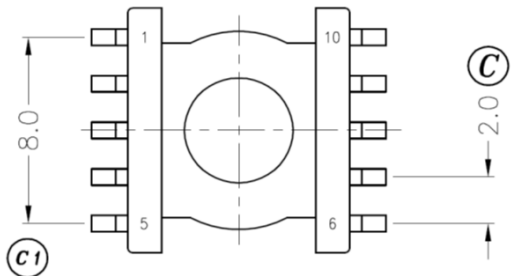
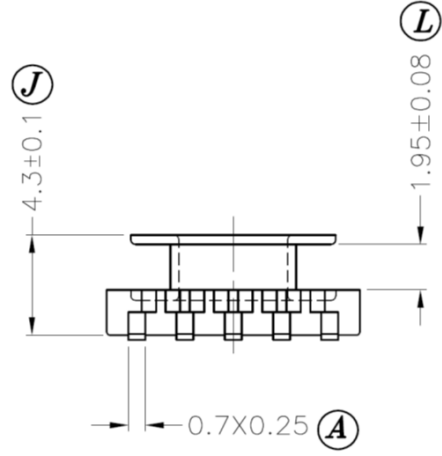
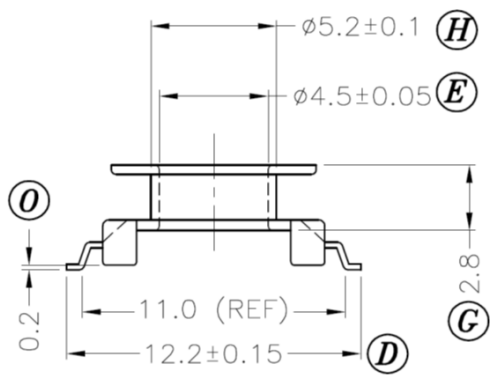
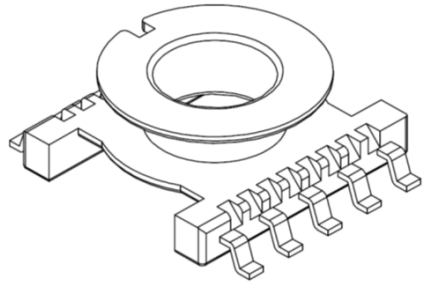
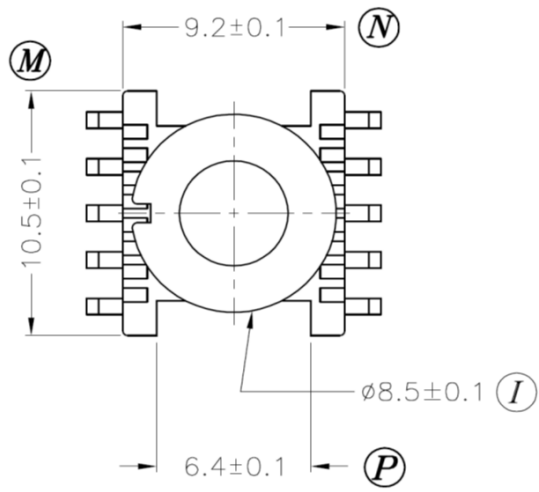
Finish: matte Sn

201-891-8800 Email: sales@mhw-intl.com

Part Number: BER11/05-118DSGA-W

BER11/05-1110GADS-P

Revisions	
1	Added country of origin & RoHS

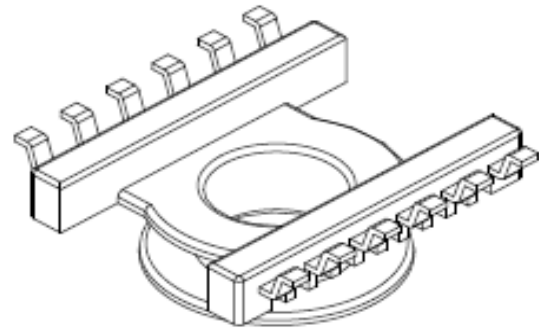
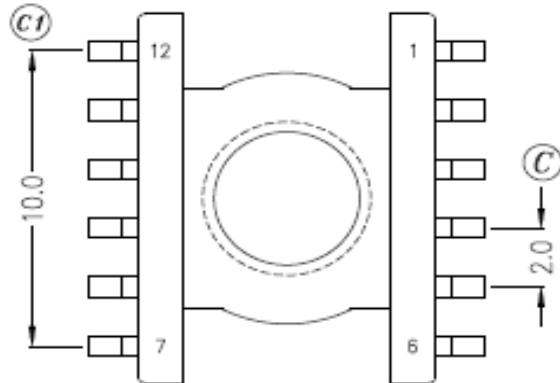
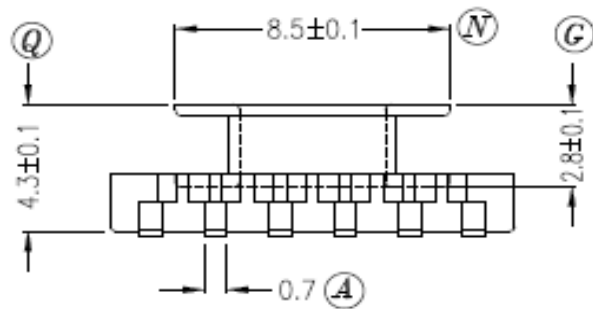
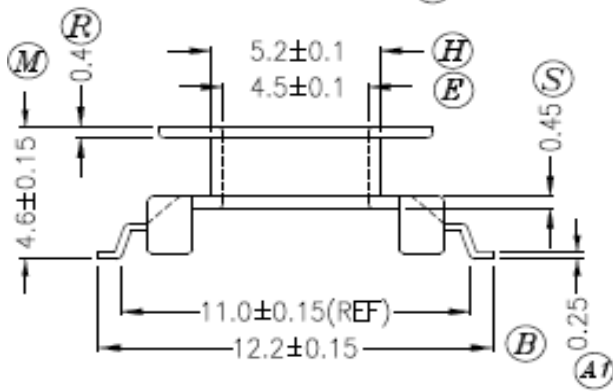
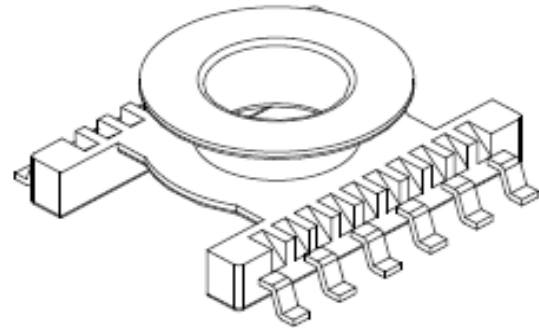
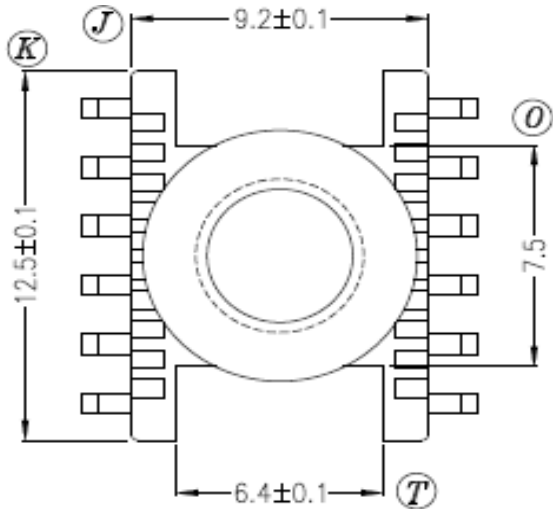


Dimensions in mm

Country of Origin: China		RoHS Certified: YES	
Bobbin Material: Sumitomo PM9630		Drawing Number: BER11/05-1110GADS-P	
UL File: E41429	UL Rec: 94-V0	S-1101-1	Pin Material: Phosphor Bronze (DS)
MH&W International Corp 201-891-8800 Email: sales@mhw-intl.com		Phone	Pin Tension: 1.0Kgm min
			Finish: e3 (JEDEC)
		Part Number: BER11/05-1110GADS-P	

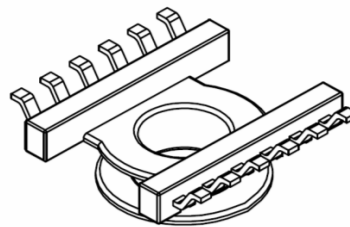
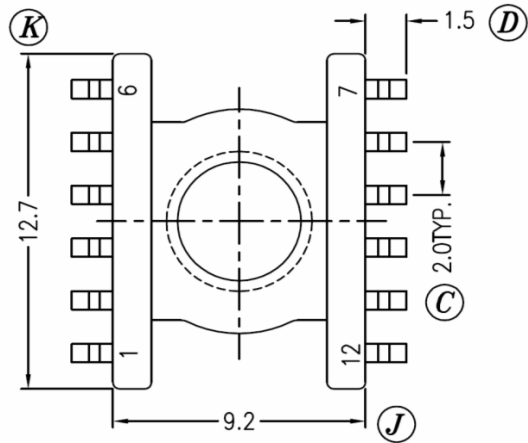
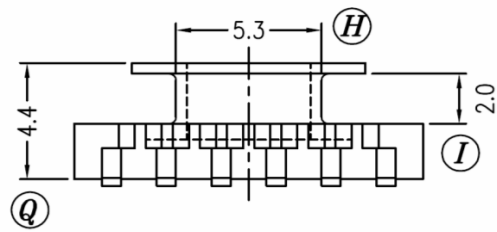
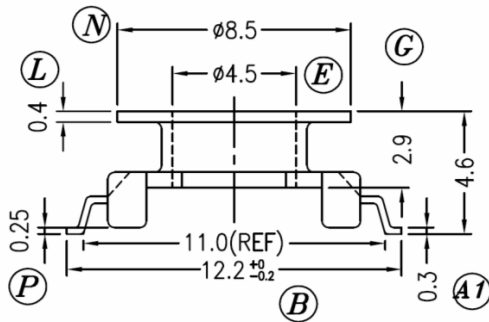
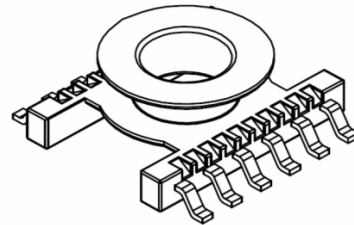
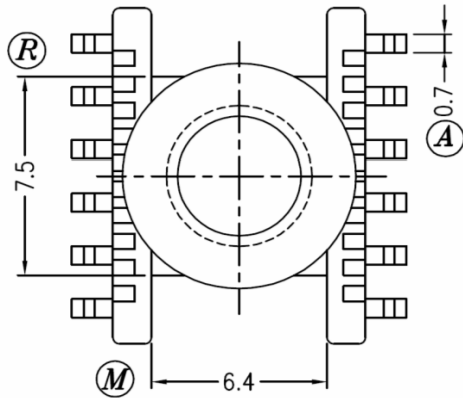
BER11/05-1112GADS-P

REV	DATE	DESCRIPTION	BY
-	2023/11/15	INITIAL ISSUE	dr



Tolerances: 0<L≤4 ±0.2; 4<L≤16 ±0.3; 16<L≤63 ±0.4		Pin Pitch: ± 0.2	Dimensions in mm
Country of Origin: China	RoHS Certified: YES		Title: ER11/5 SMD BOBBIN 12 PIN
UL Molder Certification: E163831			
Bobbin Material: Sumitomo PM9630		Drawing Number: BER11/05-1112GADS-P	
UL File: E41429	UL Rec: 94-V0	S-1103-2	Pin Material: Phosphor Bronze Finish: Tin
MH&W International Corp			Pin Tension: 1.0 KG MIN
Phone 201-891-8800 Email: sales@mhw-intl.com			Part Number: BER11/05-1112GADS-P

BER11/05-L112GADS-P

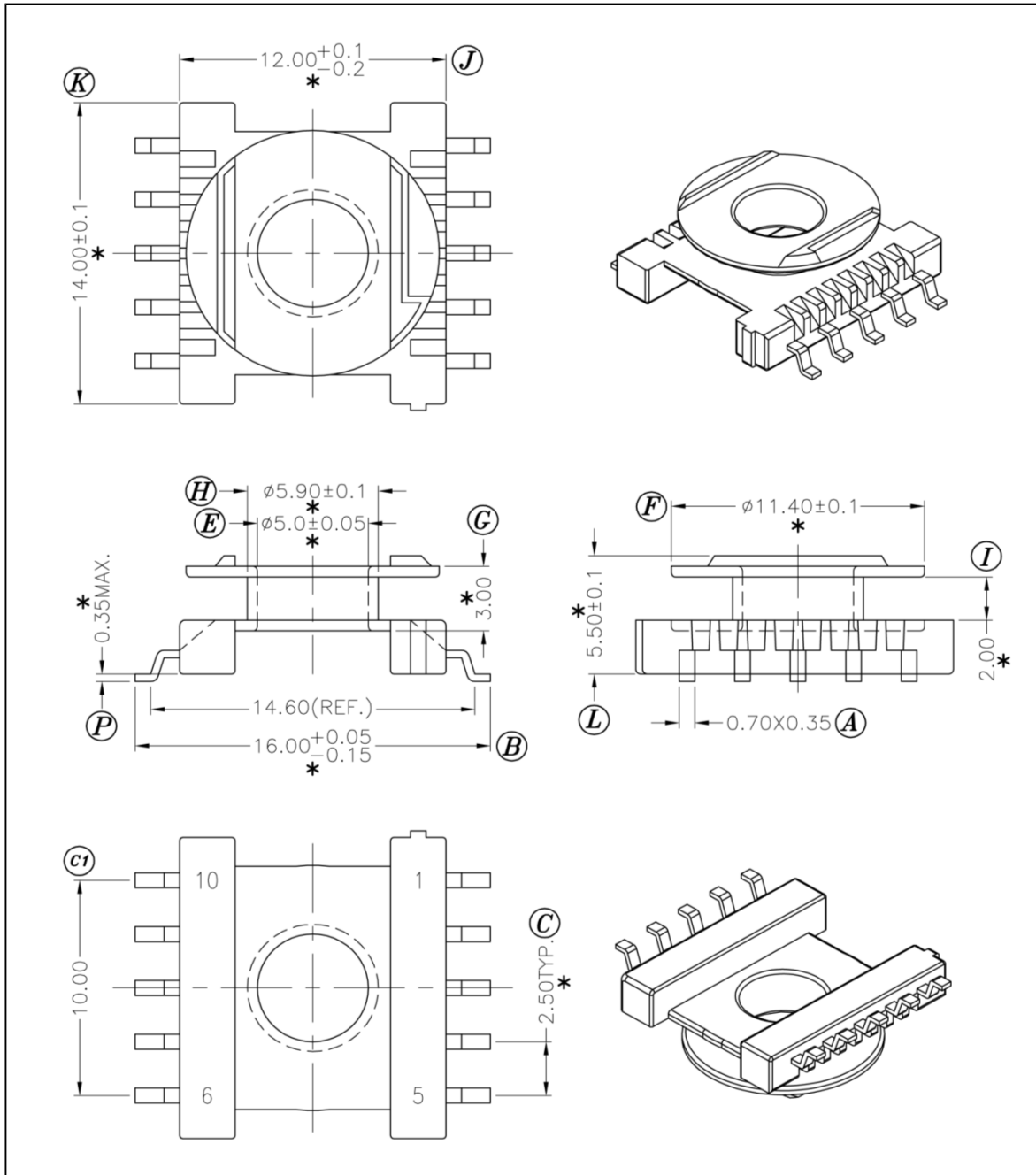


Dimensions in mm

Country of Origin: China	RoHS Certified: YES	UL Molder Certification: E163831
Bobbin Material: Sumitomo E4008 (k) (LCP)		Drawing Number: BER11_05-L112GADS-P
UL File: E54705	UL Rec: 94-V0	S-1103
Pin Material: Phosphor Bronze (DS)		Pin Tension: 1.0Kgm min
Finish: Tin		Part Number: BER11/05-L112GADS-P
MH&W International Corp Phone 201-891-8800 Email: sales@mhw-intl.com		

BER14.5/06-1110GADS-P

Revisions	
1	Added country of origin & RoHS
2	Updated manf Part Number

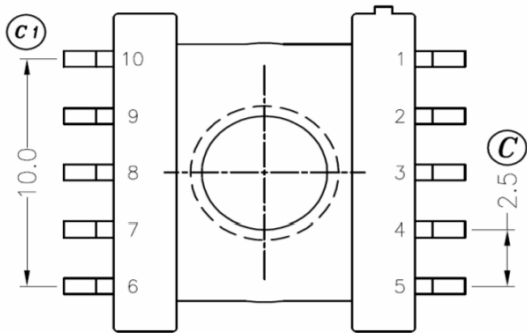
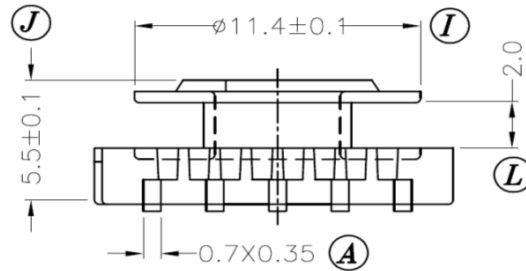
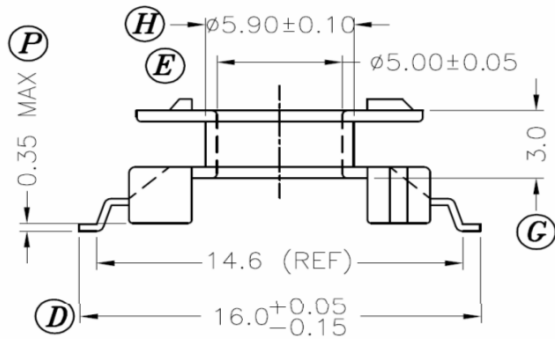
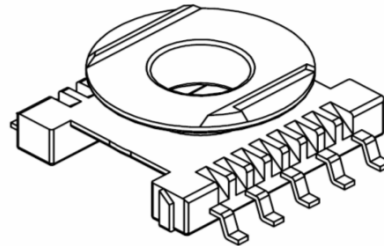
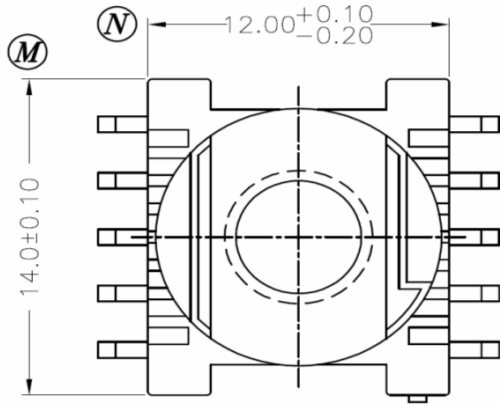


Dimensions in mm

Country of Origin: China	RoHS Certified: YES	UL Molder Certification: E163831
Bobbin Material: Phenolic Sumitomo PM9630	Drawing Number: BER14.5_06-1110GADS-P-2	
UL File: E41429	UL Rec: 94-V0	S-1400-6
Pin Material: Phosphor Bronze (DS)		Pin Tension: 1.0Kgm min
Finish: matte Sn		Part Number: BER14.5/06-1110GADS-P
MH&W International Corp 201-891-8800 Email: sales@mhw-intl.com		Phone

BER14.5/6-L110GADS-P

--	--

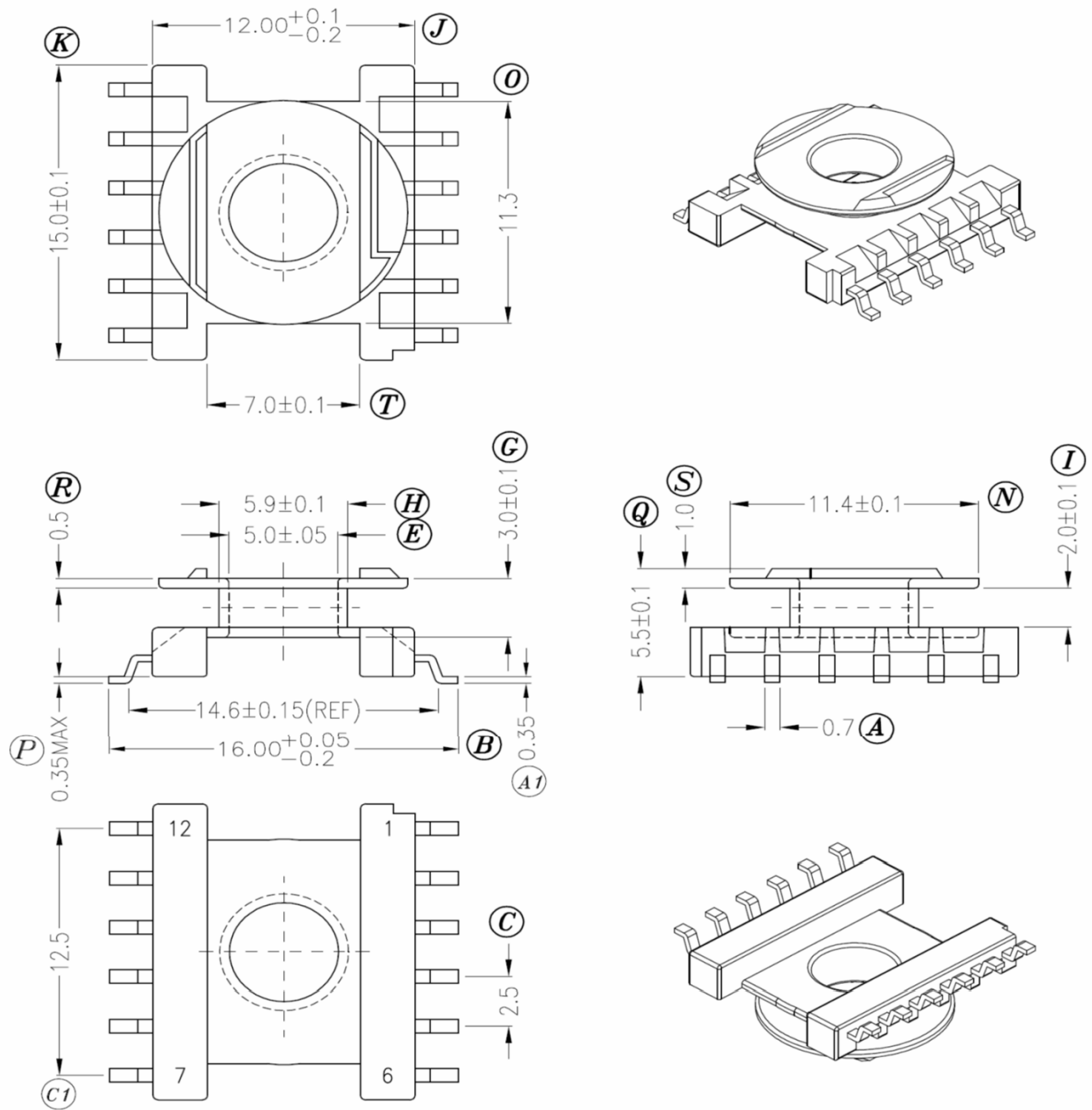


Dimensions in mm

Country of Origin: China	RoHS Certified: YES	UL Molder Certification: E163831
Bobbin Material: Sumitomo E4008 (k) (LCP)		Drawing Number: BER14.5_6-L110GADS-P
UL File: E54705	UL Rec: 94-V0	S-1401
Pin Material: Phosphor Bronze (DS)		Pin Tension: 1.5Kgm min
Finish: Tin		Part Number: BER14.5/6-L110GADS-P
MH&W International Corp Phone 201-891-8800 Email: sales@mhw-intl.com		

BER14.5/6-L112GADS-P

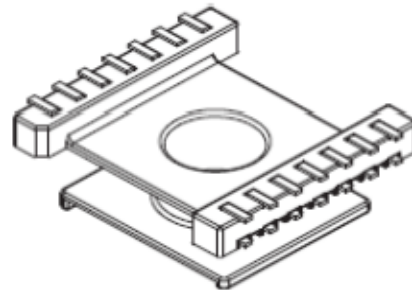
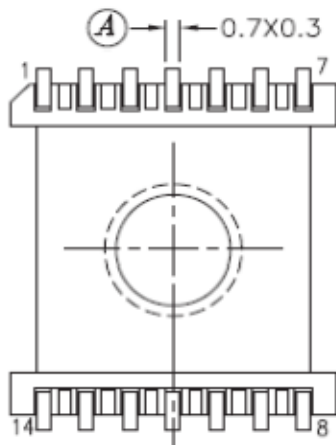
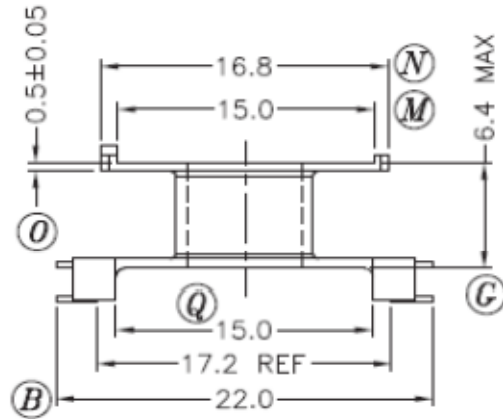
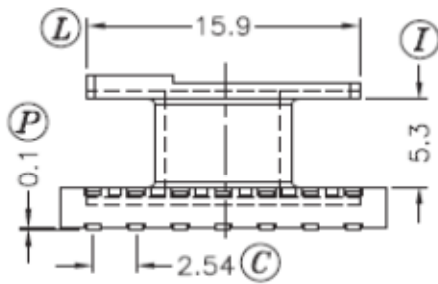
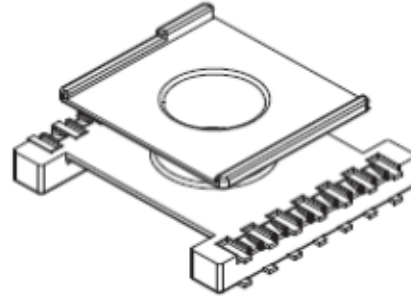
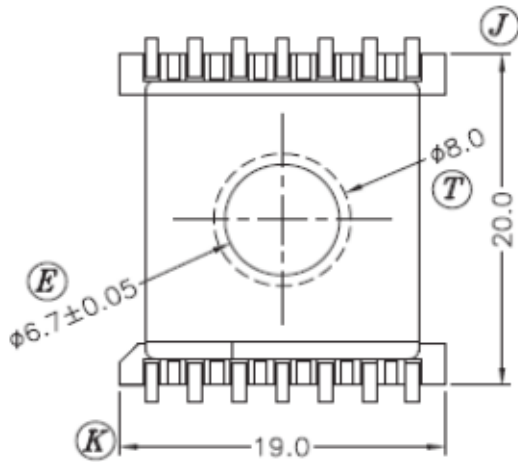
Revisions			
-	2016/01/08	Initial Issue	gvs



Tolerances: $0 < L \leq 4 \pm 0.2$; $4 < L \leq 16 \pm 0.3$; $16 < L \leq 63 \pm 0.4$		Pin Pitch: ± 0.2	Dimensions in mm
Country of Origin: China	RoHS Certified: YES	UL Molder Certification: E163831	
Bobbin Material: LCP Sumitomo E4008 (k)		Drawing Number: BER14.5_6-L112GADS-P	
UL File: E54705	UL Rec: 94-V0	S-1402	Pin Material: Phosphor Bronze (DS) CuSn ₆
MH&W International Corp		Pin Tension: 1.5Kgm min	Finish: Matte Sn
Phone 201-891-8800 Email: sales@mhw-intl.com		Part Number: BER14.5/6-L112GADS-P	

BER18.6-1114UDS-P

Revisions



Dimensions in mm

Country of Origin: China | RoHS Certified: YES

Bobbin Material: Sumitomo PM9630

UL File: E41429 | UL Rec: 94-V0 | S-1801

MH&W International Corp

Phone 201-891-8800 | Email: sales@mhw-intl.com

Drawing Number: BER18.6-1114UDS-P

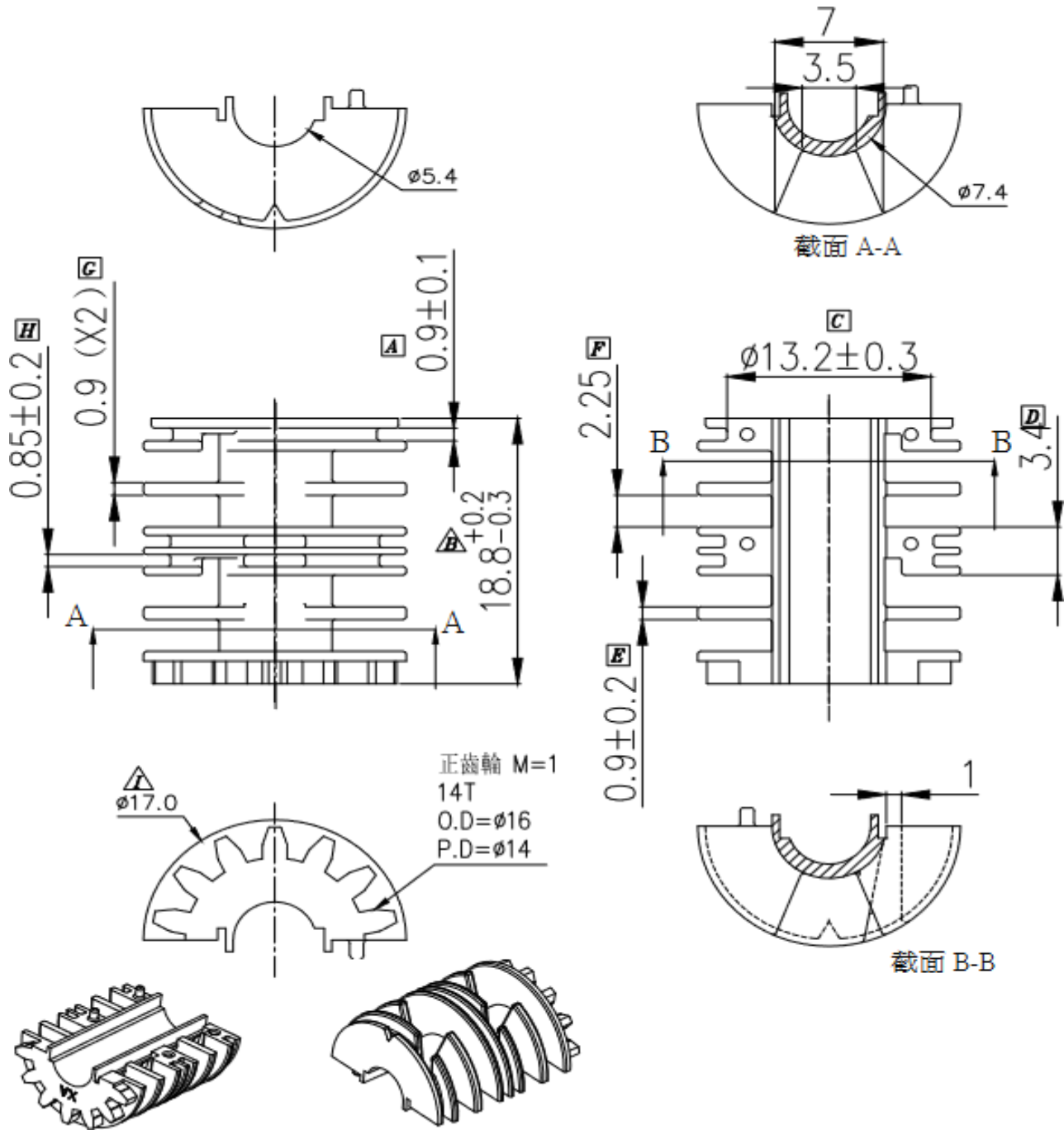
Pin Material: PHOSPHER BRONZE (DS)

Pin Tension: 2.0 Kgm min | Finish: TIN

Part Number: BER18.6-1114UDS-P

BET24-440-P

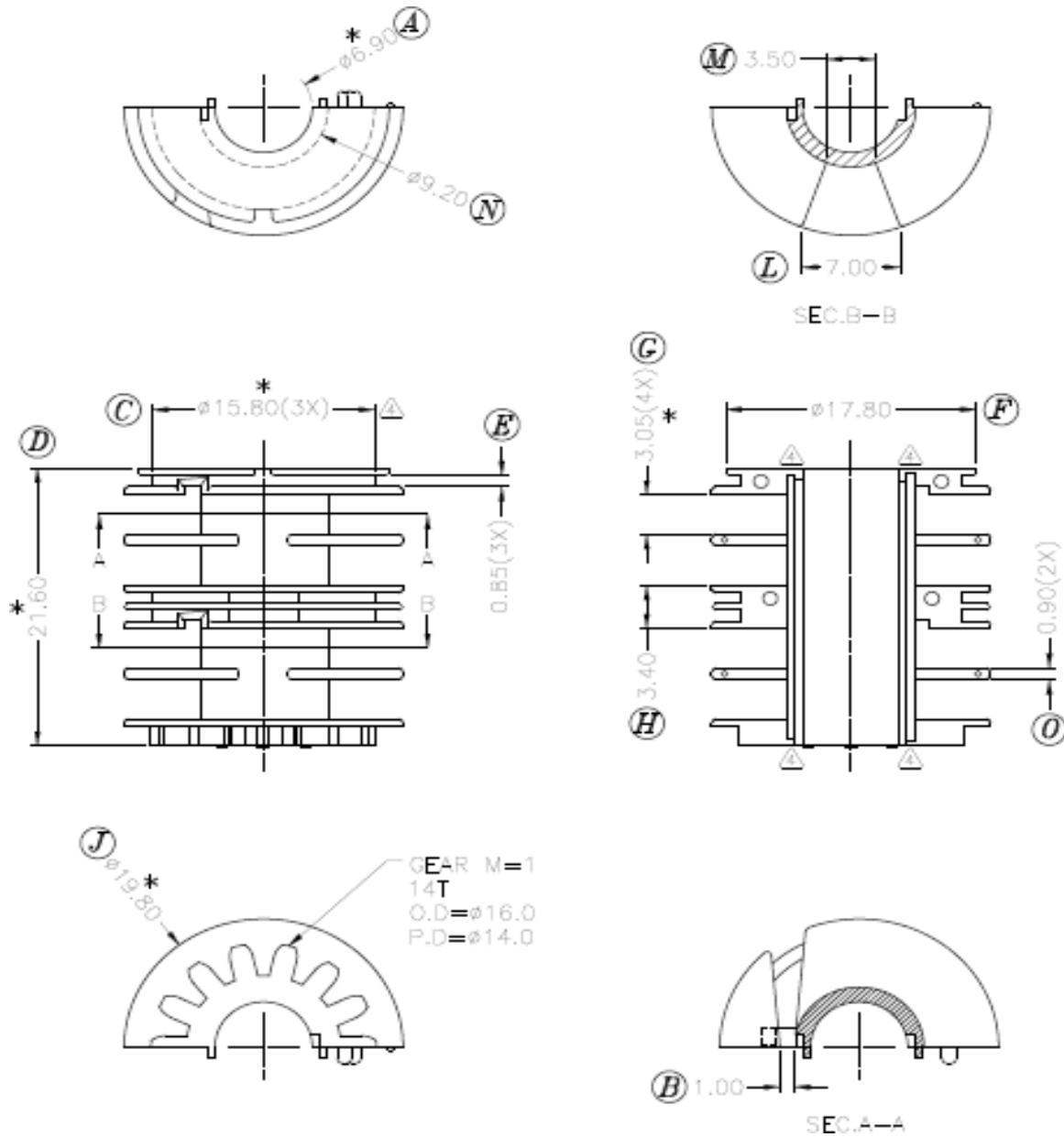
REV	DATE	DESCRIPTION	BY
-	2024/04/08	INITIAL ISSUE	dr



Tolerances: $0 < L \leq 4 \pm 0.2$; $4 < L \leq 16 \pm 0.3$; $16 < L \leq 63 \pm 0.4$		Pin Pitch: ± 0.2	Dimensions in mm
Country of Origin: China	RoHS Certified: YES		Title: BOBBIN ET-24 4 SLOTS
UL Molder Certification: E163831			
Bobbin Material: Chang Chun PBT-4115		Drawing Number: BET24-440-P	
UL File: E59481	UL Rec: 94-V0	P-2401	Pin Material: N/A Finish: N/A
MH&W International Corp		Pin Tension: N/A	
Phone 201-891-8800 Email: sales@mhw-intl.com		Part Number: BET24-440-P	

BET28-426-P

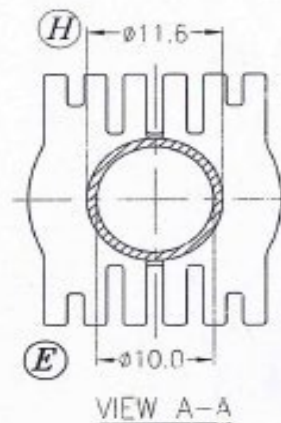
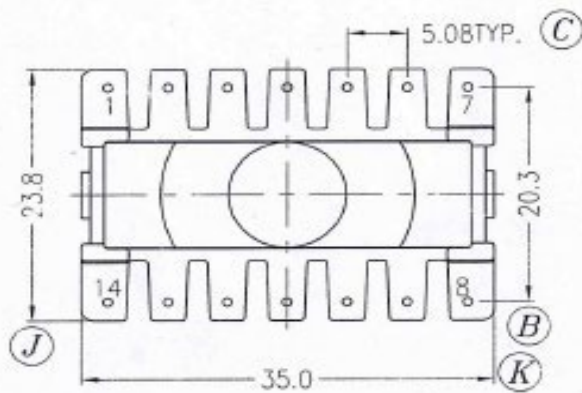
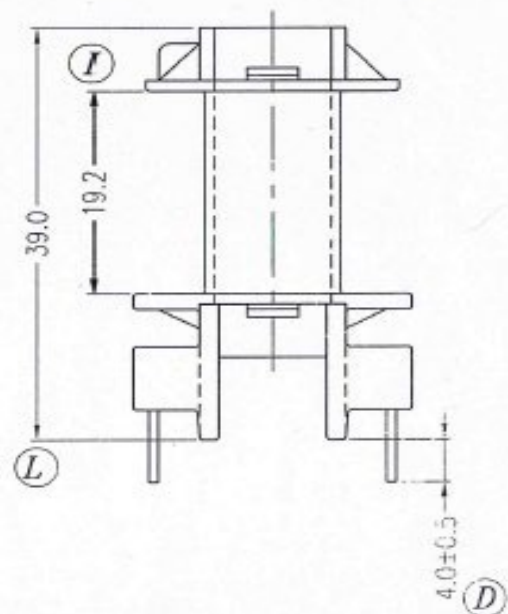
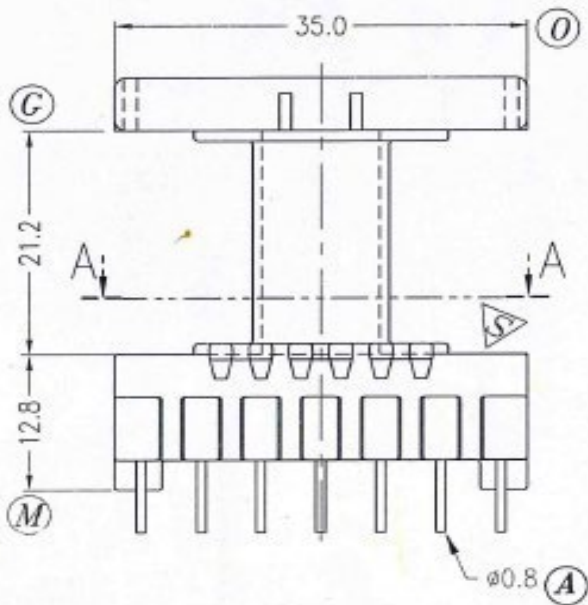
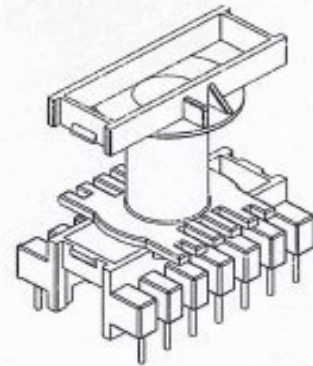
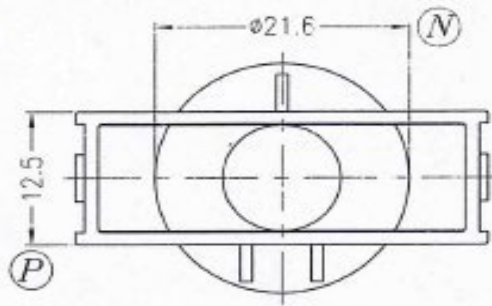
REV	DATE	DESCRIPTION	BY
-	2024/04/30	INITIAL ISSUE	dr



Tolerances: 0<L≤4 ±0.2; 4<L≤16 ±0.3; 16<L≤63 ±0.4		Pin Pitch: ± 0.2	Dimensions in mm
Country of Origin: China	RoHS Certified: YES	Title: BOBBIN ET-28	
UL Molder Certification: E163831		Drawing Number: BET28-426-P	
Bobbin Material: NAN YA PBT-1403G6		Pin Material:	Finish:
UL File: E130155	UL Rec: 94-V0	P-2802	Pin Tension:
MH&W International Corp		Part Number: BET28-426-P	
Phone 201-891-8800 Email: sales@mhw-intl.com			

BETD29-1114CP-P-P4.0-PM9630

REV	DATE	DESCRIPTION	BY
-	2020/02/24	INITIAL ISSUE	dr

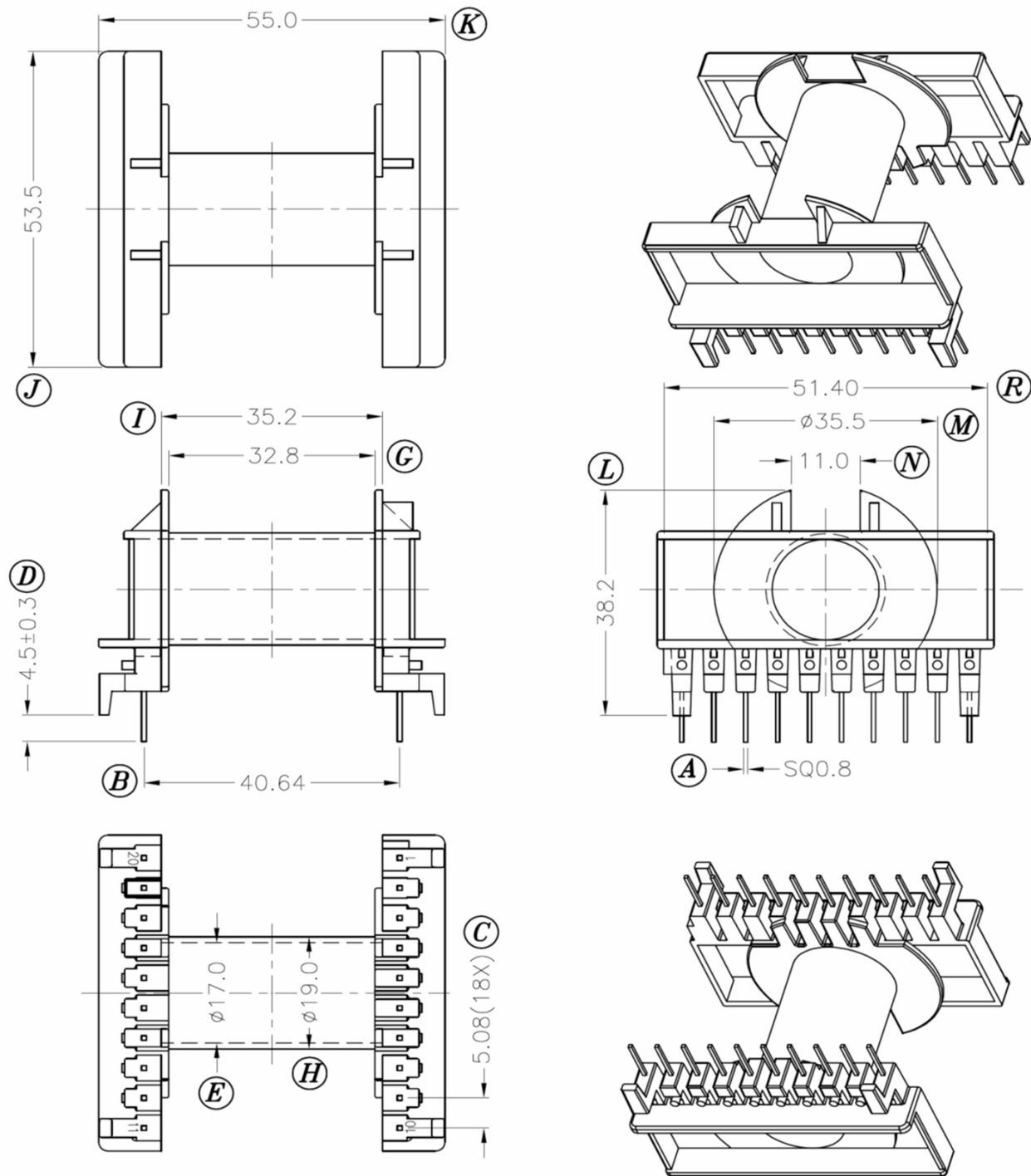


Dimensions in mm

Tolerances: 0<L≤4 ±0.2; 4<L≤16 ±0.3; 16<L≤63 ±0.4		Pin Pitch: ± 0.2	UL Molder Certification: E163831
Country of Origin: China	RoHS Certified: YES	Title:	BOBBIN ETD-29 VERTICAL 14 PIN
Bobbin Material: Chang Chung Phenolic T375J		Drawing Number: BETD29-1114CP-P-P4.0-PM9630	
UL File: E59481	UL Rec: 94-V0	P-2901	Pin Material: Steel Wire (CP)
MH&W International Corp Phone 201-891-8800 Email: sales@mhw-intl.com		Pin Tension: 1.5Kgm min	Finish: matte Sn
		Part Number: BETD29-1114CP-P-P4.0-PM9630	

BETD49-8120CPH-P-P4.5

Revisions			
-	2016/02/19	Initial Issue	gvs

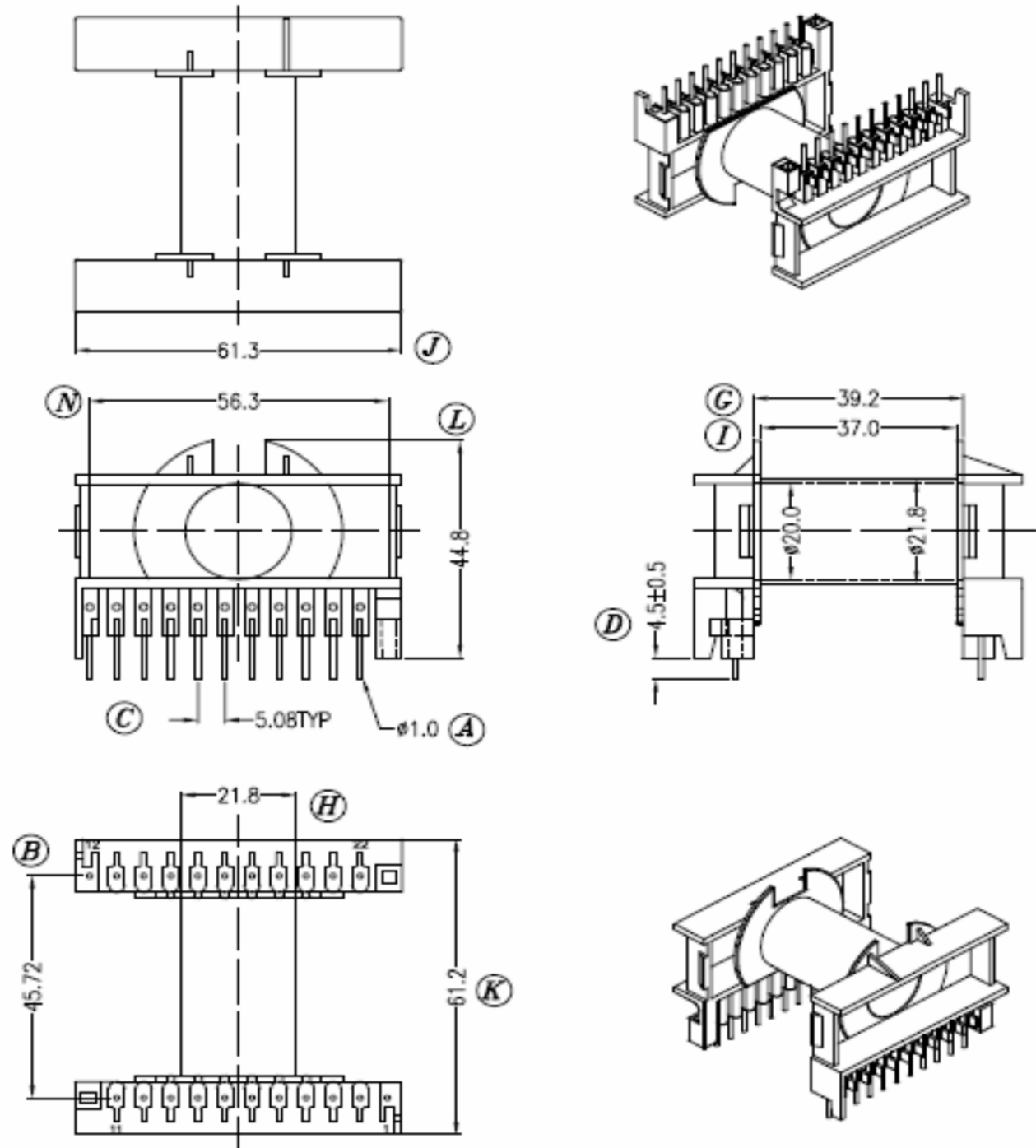


Dimensions in mm

Tolerances: 0<L≤4 ±0.2; 4<L≤16 ±0.3; 16<L≤63 ±0.4		Pin Pitch Tolerance: ±0.5mm	
Country of Origin: China		RoHS Certified: YES	
UL File: E41938		UL Molder Certification: E163831	
Bobbin Material: PET E.I. Dupont FR530		Drawing Number: BETD49-8120CPH-P-P4.5	
UL Rec: 94-V0		Pin Material: Steel Wire (CP)	
P-4902		Pin Tension: 2.0 Kgm min	
Finish: Matte Sn		Part Number: BETD49-8120CPH-P-P4.5	
MH&W International Corp Phone 201-891-8800 Email: sales@mhw-intl.com			

BETD54-8122CPH-P-P4.5

Revisions			
-	2017/02/19	Initial Issue	gvs



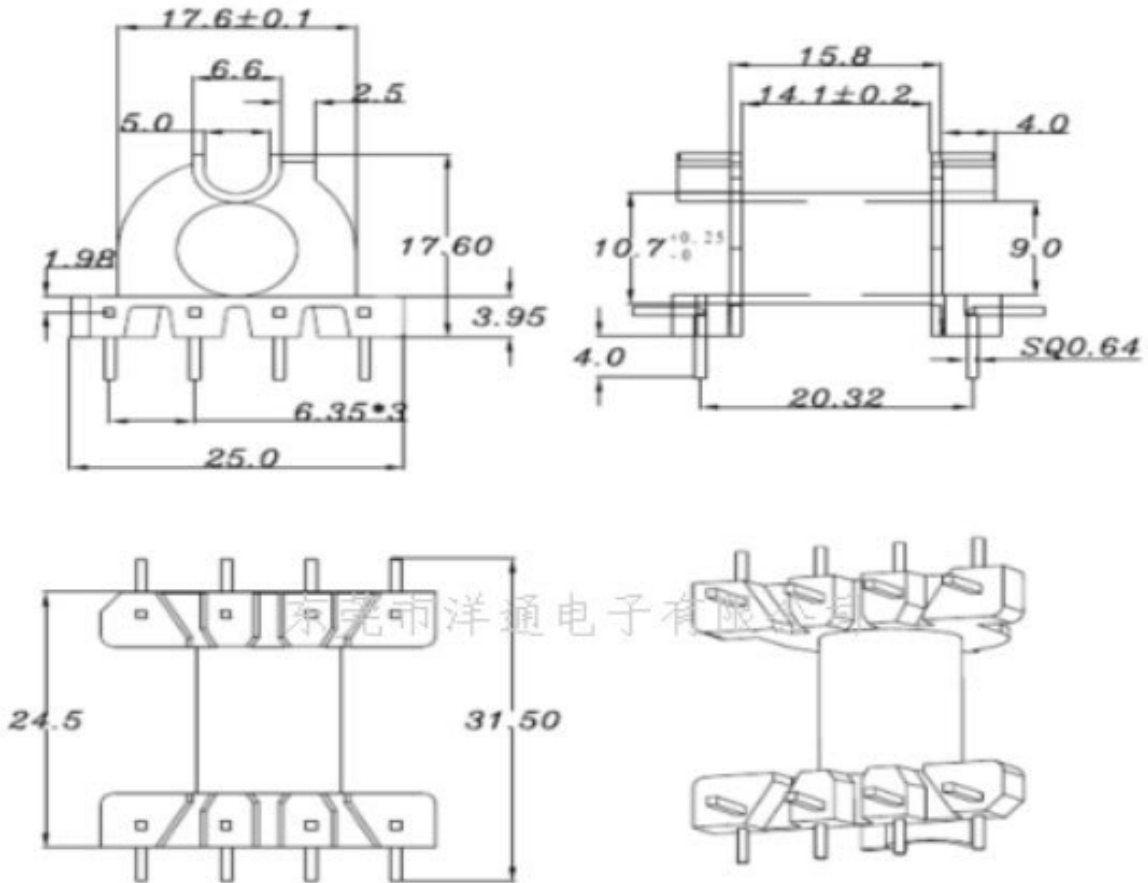
Dimensions in mm

Tolerances: 0<L≤4 ±0.2; 4<L≤16 ±0.3; 16<L≤63 ±0.4		Pin Pitch Tolerance: ±0.5mm	
Country of Origin: China		RoHS Certified: YES	
UL File: E41938		UL Molder Certification: E163831	
Bobbin Material: PET E.I. Dupont FR530		Drawing Number: BETD54-8122CPH-P-P4.5	
UL Rec: 94-V0		Pin Material: Steel Wire (CP)	
P-5401-P4.5		Pin Tension: 2.0 Kgm min	
Finish: Matte Sn		Part Number: BETD54-8122CPH-P-P4.5	
MH&W International Corp Phone 201-891-8800 Email: sales@mhw-intl.com			

BLP22/13018CPL-DG

REVISIONS	DATE	DESCRIPTION	BY
-	2018/05/29	INITIAL ISSUE	dr

RoHS



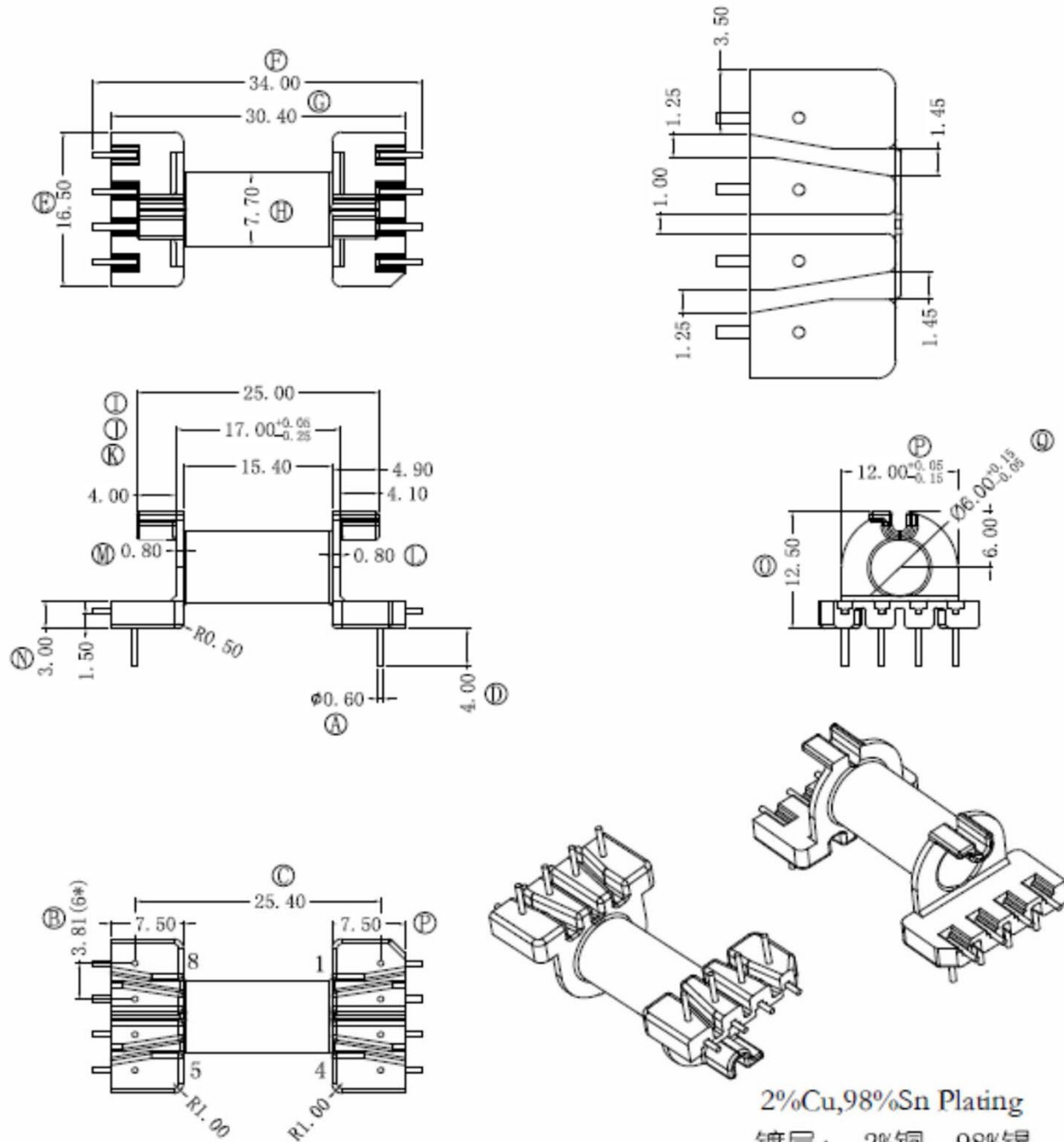
Pin Pitch: ± 0.2

Dimensions in mm

Country of Origin: China	RoHS Certified: YES	Tolerances: 0<L≤4 ±0.2; 4<L≤16 ±0.3; 16<L≤63 ±0.4	
Bobbin Material: PHENOLIC T375J		Drawing Number: BLP22_13018CPL-DG	
UL File: E59481	UL Rec: 94-V0	YT-2212	Pin Material: Steel Wire (CP)
MH&W International Corp Phone 201-891-8800 Email: sales@mhw-intl.com		Pin Tension: 1.5Kgm min	Finish: matte Sn
		Part Number: BLP22/13018CPL-DG	

BLP23/08-018CPH-MX

Revision			
-	2017/08/24	Initial Issue	gvs



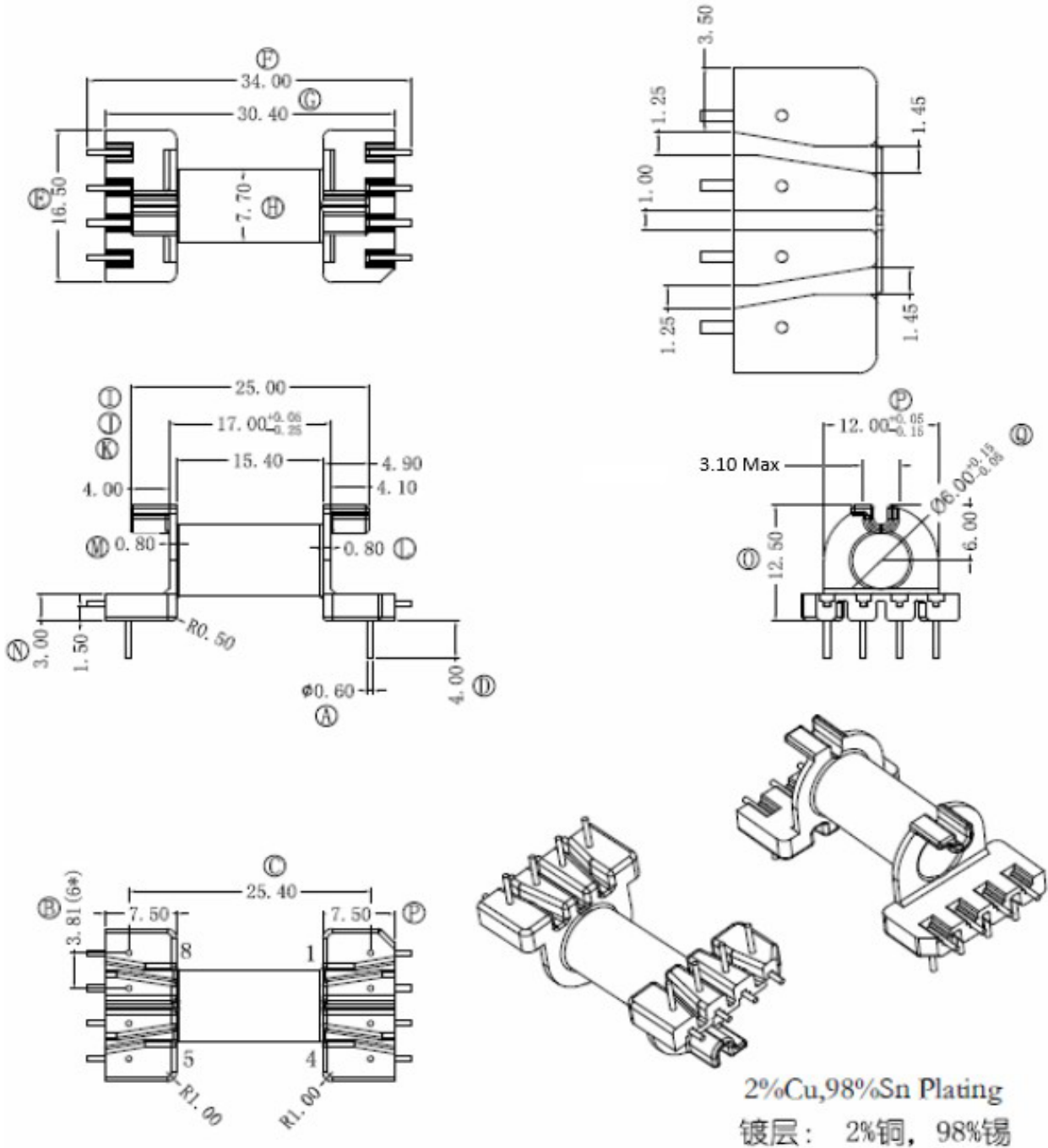
2%Cu,98%Sn Plating
 镀层: 2%铜, 98%锡

Dimensions in mm

Pin Pitch Tolerance ± 0.2	Tolerances: $0 < L \leq 4: \pm 0.2$ $4 < L \leq 16: \pm 0.3$ $16 < L \leq 63: \pm 0.4$	
Replacement to TDK: BLP23/08-018PFR; BLP23/08-018CPLFR; BDLP230800; BLP23/08-018CPH-W		
Country of Origin: China	RoHS Certified: YES	UL Molder Certification: E470132
Bobbin Material: PPS R-7-120BL Phillips Chemical		Drawing Number: BLP23_08-018CPH-MX
UL File: E233198	UL Rec: 94-V0	MX-2307
Pin Material: Steel Wire (CP)		
MH&W International Corp		Pin Tension: 1.5Kgm min
Phone 201-891-8800 Email: sales@mhw-intl.com		Pin Plating: CuSn (~2%Cu)
Part Number: BLP23/08-018CPH-MX		

BLP23/08-018CPH-V2-MX

REV	DATE	DESCRIPTION	BY
-	2023/03/09	Initial Issue	dr



Pin Pitch Tolerance ± 0.2 | Tolerances: $0 < L \leq 4: \pm 0.2$ $4 < L \leq 16: \pm 0.3$ $16 < L \leq 63: \pm 0.4$ | Dimensions in mm

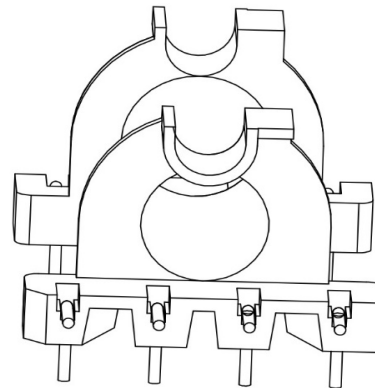
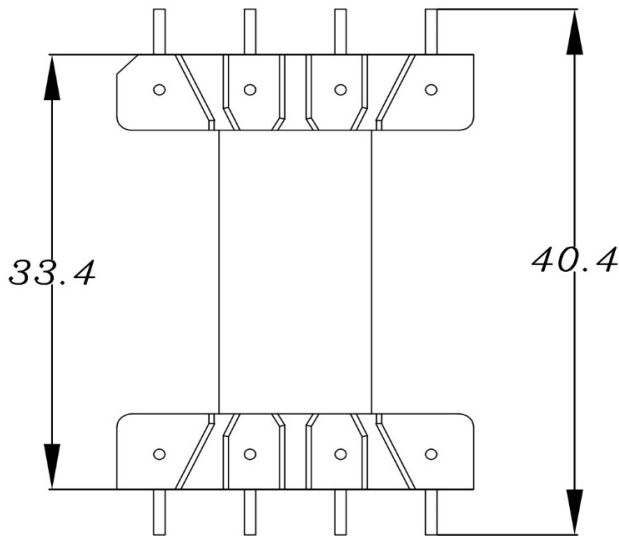
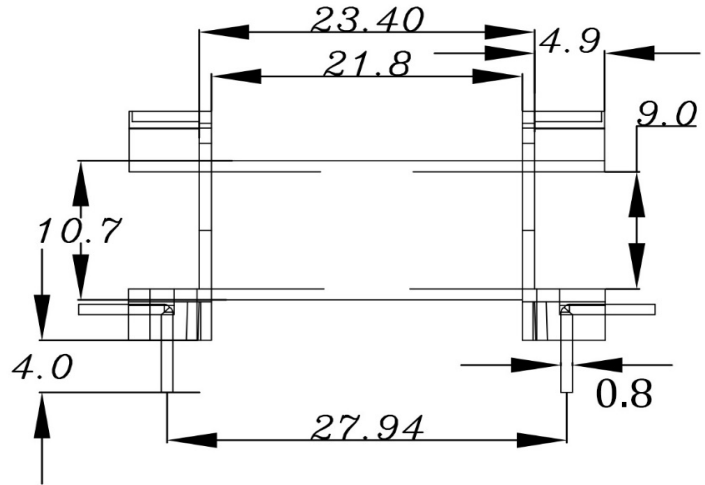
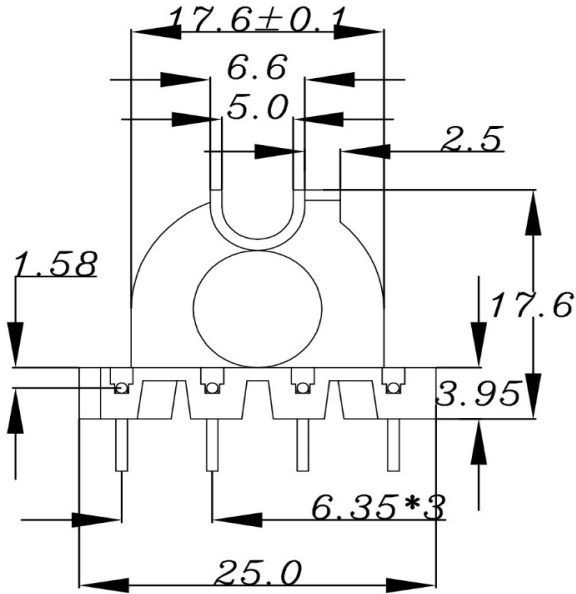
Replacement to TDK: BLP23/08-018PFR; BLP23/08-018CPLFR

Country of Origin: China	RoHS Certified: YES	UL Molder Certification: E470132
Bobbin Material: PPS R-7-120BL Phillips Chemical	Drawing Number: BLP23_08-018CPH-V2-MX	
UL File: E233198	UL Rec: 94-V0	MX-2307 V2
Pin Material: Steel Wire (CP)		

MH&W International Corp Phone 201-891-8800 Email: sales@mhw-intl.com	Pin Tension: 1.5Kgm min	Pin Plating: CuSn (~2%Cu)
	Part Number: BLP23/08-018CPH-V2-MX	

BLP32/13-118CPH-MX-P4.0

REV	DATE	DESCRIPTION	BY
-	2022/11/14	For Tooling in Phenolic PM-9630	dr



Dimensions in mm

Replacement to TDK: BLP32/13-018PS; BLP32/13-018PSA; BLP32/13-018PSFR; BLP32/13-018CPLFR

Tolerances: 0<L≤4 ±0.3; 4<L≤16 ±0.4; 16<L≤63 ±0.5

Country of Origin: China | RoHS Certified: YES

UL Molder Certification: E334431

Bobbin Material: Sumito PM-9630

Drawing Number: BLP32_13-118CPH-MX-P4.0

UL File: E41429 | UL Rec: 94-V0 | BLP32

Pin Material: Steel Wire (CP)

MH&W International Corp

Pin Tension: 1.5Kgm min

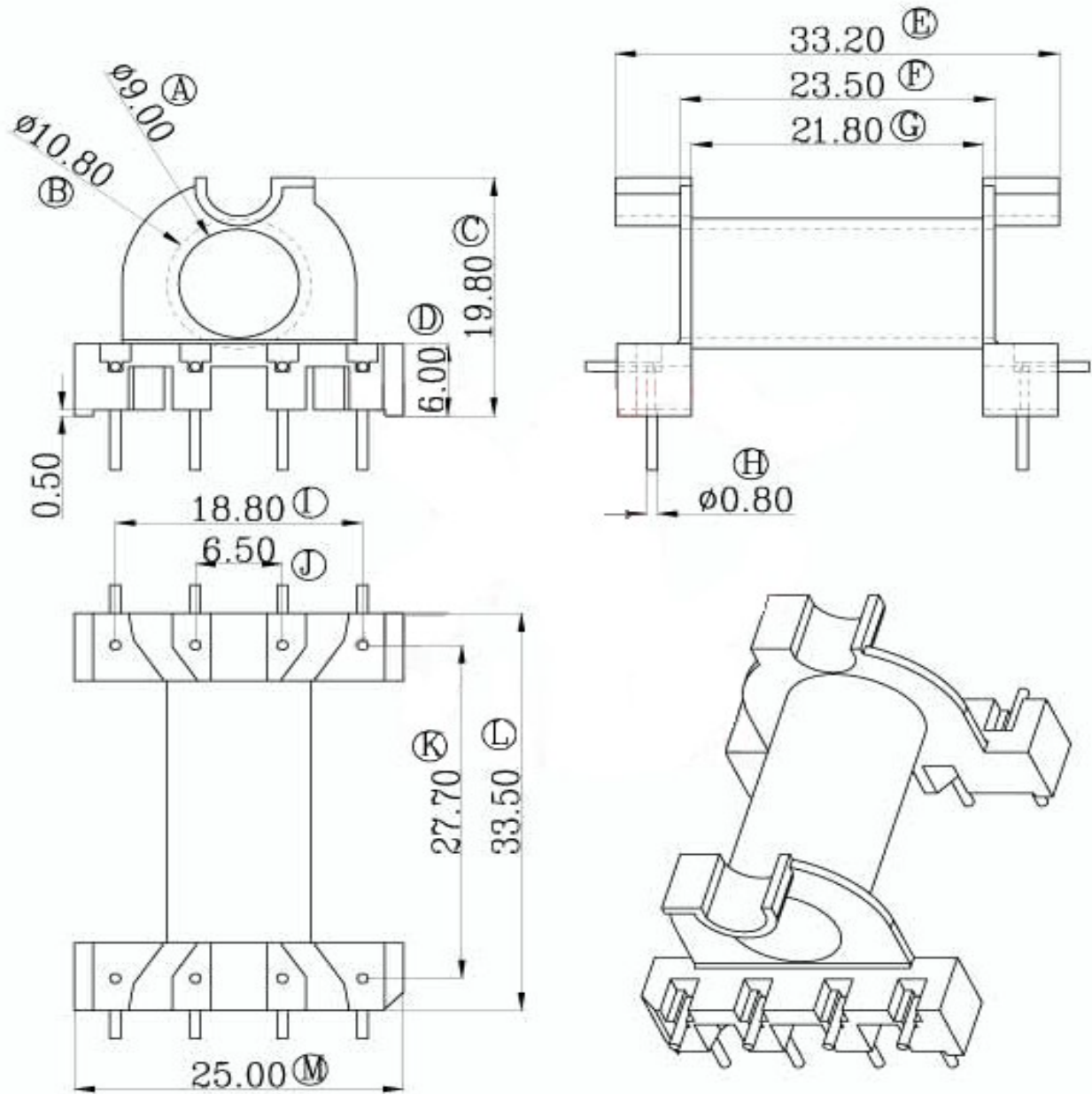
Pin Plating: CuSn (~2%Cu)

Phone 201-891-8800 Email: sales@mhw-intl.com

Part Number: BLP32/13-118CPH-MX-P4.0

BLP32/13-118CPH-Y-P4.0

REV	DATE	DESCRIPTION	BY
-	2021/12/15	INITIAL ISSUE	dr

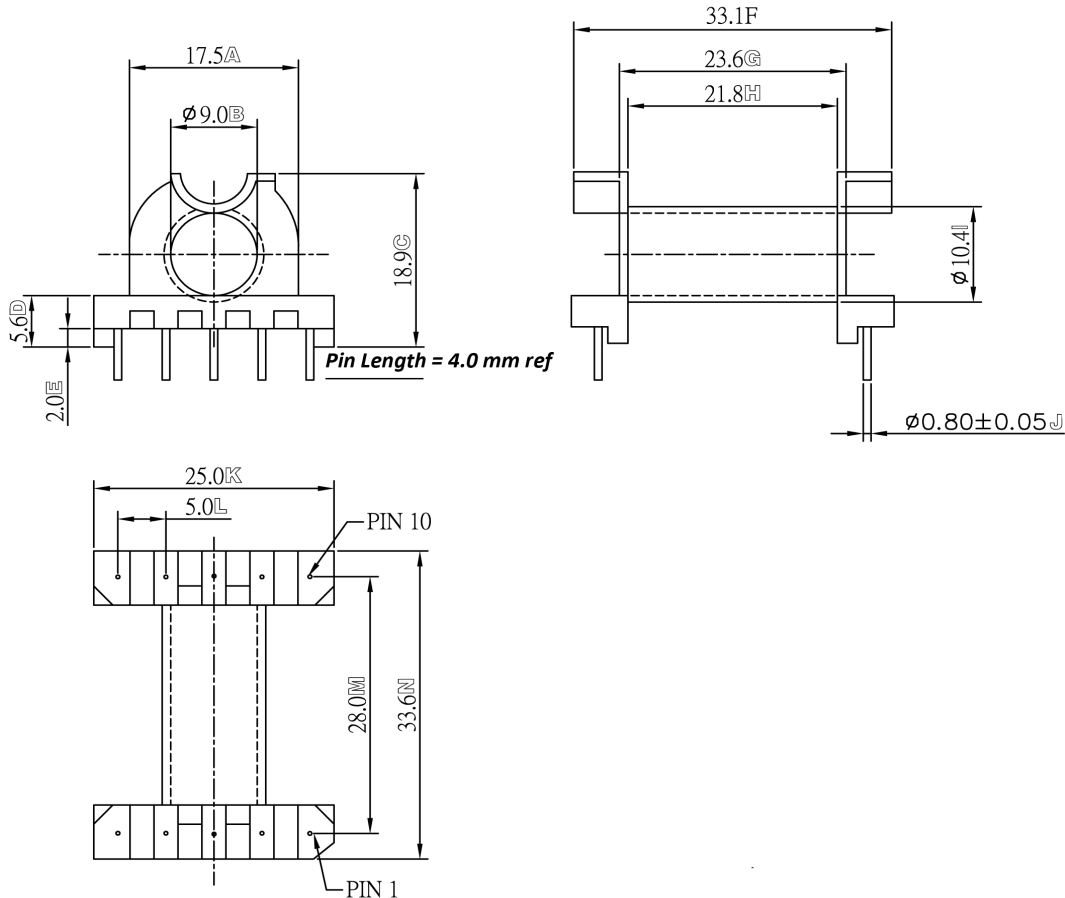
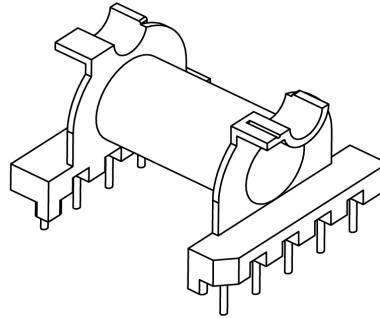
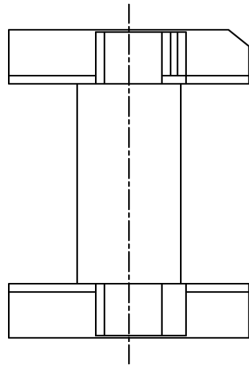


Dimensions in mm

Tolerances: 0<L≤4 ±0.2; 4<L≤16 ±0.3; 16<L≤63 ±0.4		Pin Pitch: ± 0.2	UL Molder Certification: E33864L
Country of Origin: China	RoHS Certified: YES	Title: BOBBIN LP32/13 8 Pin	
Bobbin Material: Chang Chun PBT4830		Drawing Number: BLP32/13-118CPH-Y-P4.0	
UL File: E59481	UL Rec: 94-V0	YC-LP-3213	Pin Material: Phosphor Bronze (CP)
MH&W International Corp Phone 201-891-8800 Email: sales@mhw-intl.com		Pin Tension: 1.5Kgm min	Finish: matte Sn
		Part Number: BLP32/13-118CPH-Y-P4.0	

BLP32/13-1110CPH-S-P4.0 PM9820

REV	DATE	DESCRIPTION	BY
-	2020/06/04	INITIAL ISSUE	dr

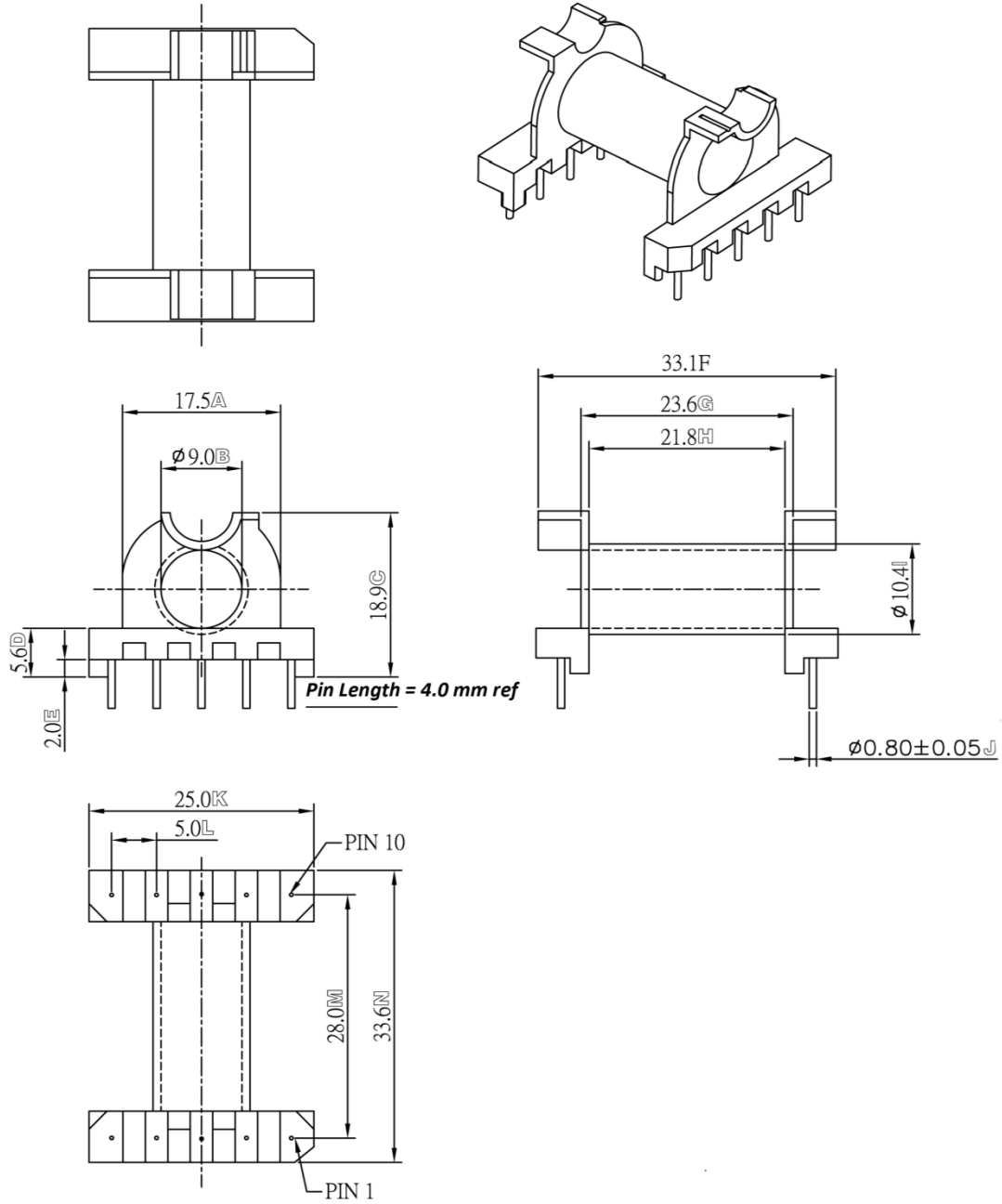
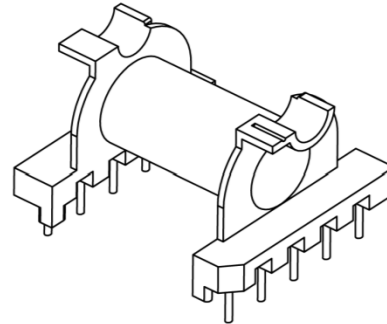


Dimensions in mm

Country of Origin: China	RoHS Certified: YES	UL Molder Certification: E149570
Bobbin Material: Sumitomo PM9820		Drawing Number: BLP32_13-1110CPH-S-P4.0 PM9820
UL File: E41429	UL Rec: 94-V0	LP-3213-1
Pin Material: Steel Wire (CP)		Pin Tension: 1.5Kgm min
Finish: Sn		Part Number: BLP32/13-1110CPH-S-P4.0 PM9820
MH&W International Corp Phone 201-891-8800 Email: sales@mhw-intl.com		

BLP32/13-1110CPH-S-P4.0

Revisions

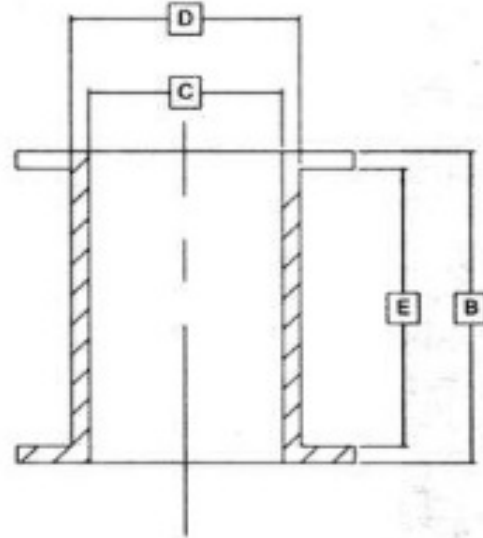
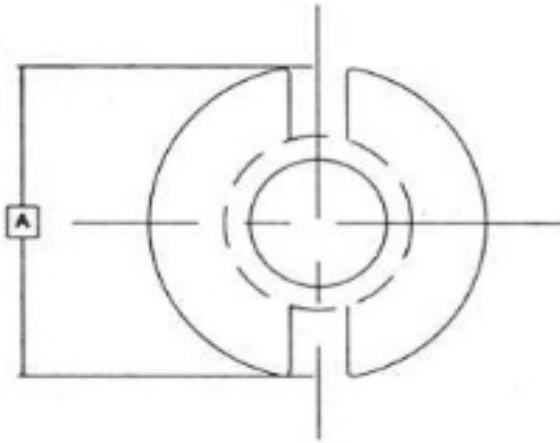


Dimensions in mm

Country of Origin: China	RoHS Certified: YES	UL Molder Certification: E149570
Bobbin Material: Chang Chung Plastics T375HF		Drawing Number: BLP32_13-1110CPH-S-P4.0
UL File: E59481	UL Rec: 94-V0	LP-3213-1
Pin Material: Steel Wire (CP)		
MH&W International Corp		Pin Tension: 1.5Kgm min
Phone 201-891-8800 Email: sales@mhw-intl.com		Finish: Sn
Part Number: BLP32/13-1110CPH-S-P4.0		

Bobbin Pot Core -612 Series

Revisions			



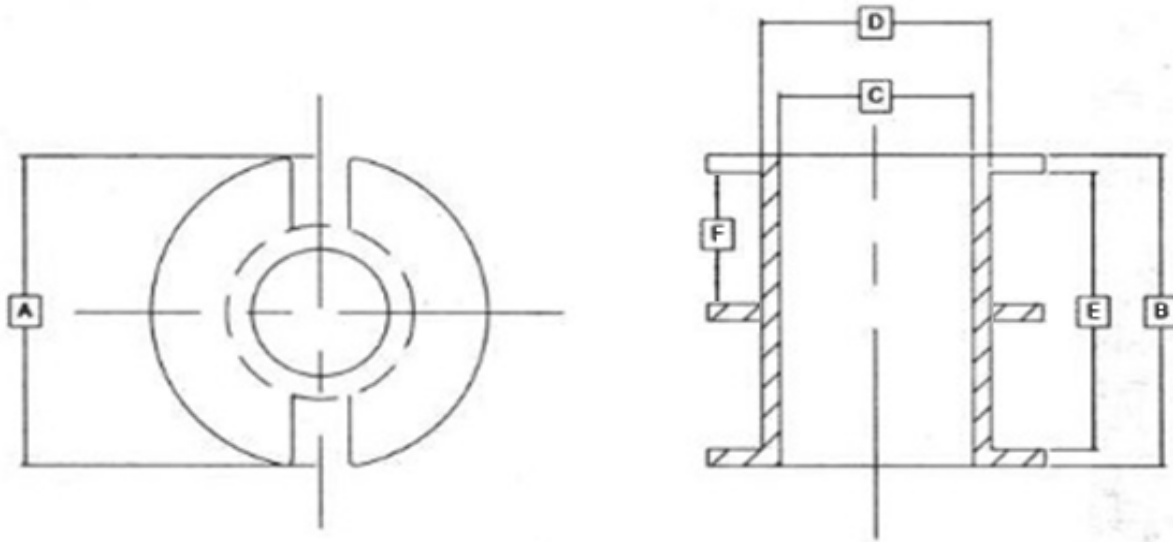
	A	B	C	D	E	Inv
Description	MAX	MAX	MIN	MAX	NOM	#
BP 07/04-612	0.225	0.107	0.120	0.144	0.082	B-7X4-1
BP 09/05-612	0.286	0.139	0.161	0.182	0.112	B-9X5-1
BP 11/07-612	0.351	0.165	0.188	0.224	0.131	B-11X7-1
BP 14/08-612	0.454	0.217	0.239	0.287	0.178	B-14X8-1
BP 18/11-612	0.587	0.281	0.302	0.350	0.240	B-18X11-1
BP 22/13-612	0.702	0.359	0.373	0.417	0.320	B-22X13-1
BP 26/16-612	0.832	0.430	0.457	0.499	0.380	B-26X16-1
BP 30/19-612	0.981	0.509	0.534	0.592	0.460	B-30X19-1
BP 36/22-612	1.172	0.570	0.639	0.707	0.511	B-36X22-1

Dimensions in inches

Country of Origin: U S A	RoHS Certified: YES	UL Molder Certification: A1746
Bobbin Material: DuPont Delrin 900P Natural		Drawing Number: Bobbin Pot Core -612
UL File: E41938	UL Rec: HB75/HB40	Pin Material: No Pins
MH&W International Corp		No Pins
Phone 201-891-8800 Email: sales@mhw-intl.com		Part Number: See Description Above

Bobbin Pot Core -622 Series

REV	DATE	DESCRIPTION	BY
-	7/1/2024	Initial Issue	dr

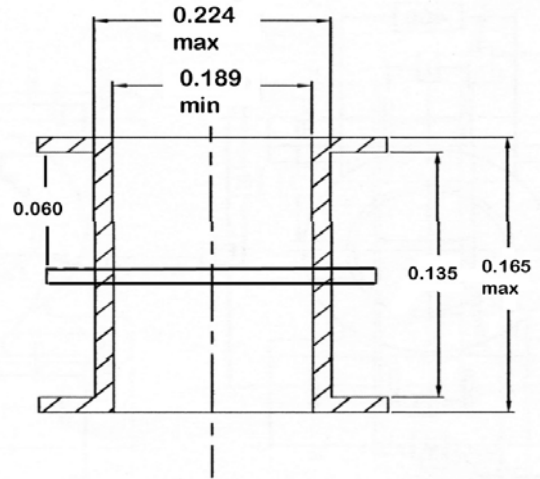
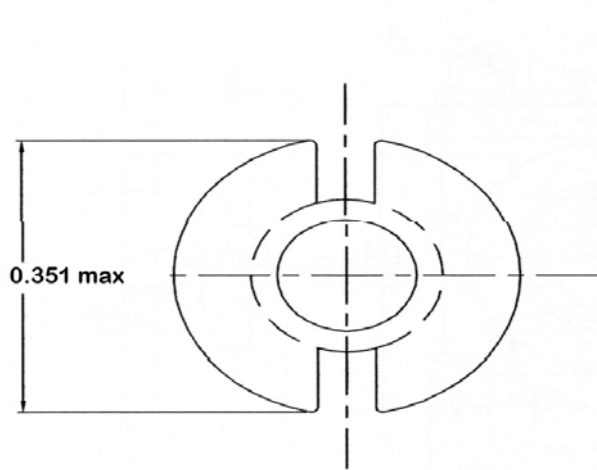


Part Number	Unit	0.225	0.107	0.120	0.144	0.082	0.035	Series
BP 07/04-622	in	0.225	0.107	0.120	0.144	0.082	0.035	B7X4-2
	mm	5.7	2.7	3.0	3.7	2.1		
BP 09/05-622	in	0.286	0.139	0.161	0.182	0.112	0.049	B9X5-2
	mm	7.3	3.5	4.1	4.6	2.8		
BP 11/07-622	in	0.351	0.165	0.188	0.224	0.131	0.060	B11X7-2
	mm	8.9	4.2	4.8	5.7	3.3		
BP 14/08-622	in	0.454	0.217	0.239	0.287	0.178	0.080	B14X8-2
	mm	11.5	5.5	6.1	7.3	4.5		
BP 18/11-622	in	0.587	0.281	0.302	0.350	0.240	0.110	B18X11-2
	mm	14.9	7.1	7.7	8.9	6.1		
BP 22/13-622	in	0.702	0.359	0.373	0.417	0.320	0.145	B22X13-2
	mm	17.8	9.1	9.5	10.6	8.1		
BP 26/16-622	in	0.832	0.430	0.457	0.499	0.380	0.180	B26X16-2
	mm	21.1	10.9	11.6	12.7	9.7		
BP 30/19-622	in	0.981	0.509	0.534	0.592	0.460	0.218	B30X19-2
	mm	24.9	12.9	13.6	15.0	11.7		
BP 36/22-622	in	1.172	0.570	0.639	0.707	0.511	0.240	B36X22-2
	mm	29.8	14.5	16.2	18.0	13.0		

Country of Origin: U S A	RoHS Certified: YES	UL Molder Certification: A1746
Bobbin Material: DuPont Delrin 900P Natural		Drawing Number: Bobbin Pot Core -622
UL File: E41938	UL Rec: HB75/HB40	Pin Material: No Pins
MH&W International Corp		No Pins
Phone 201-891-8800 Email: sales@mhw-intl.com		Part Number: See Description Above

BP 11/07-622

Revisions			

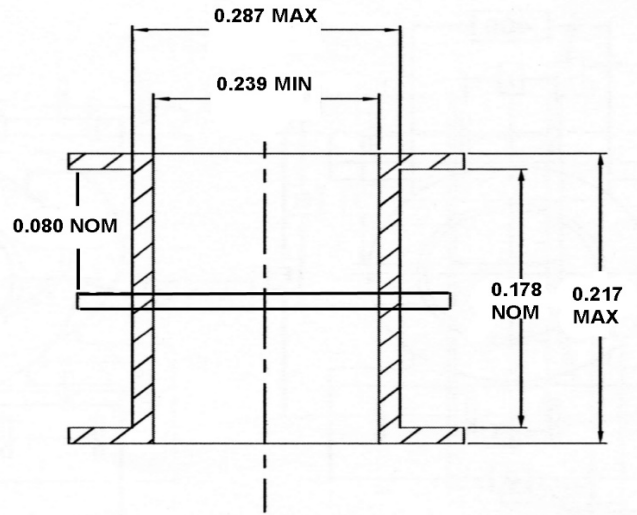
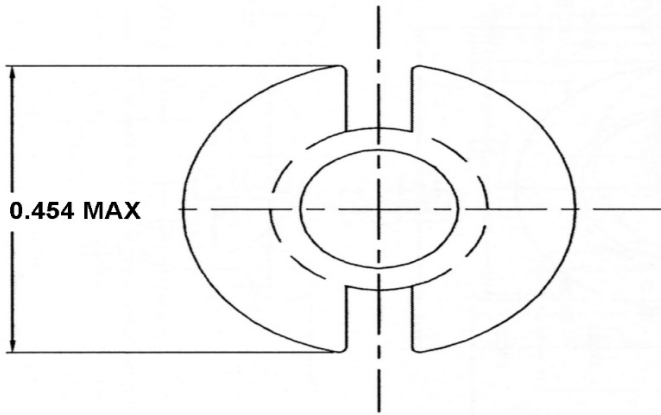


Dimensions in inches

Country of Origin: U S A		RoHS Certified: YES	UL Molder Certification: A1746
Bobbin Material: DuPont Delrin 900P Nat		Drawing Number: BP 11_07-622	
UL File: E41938	UL Rec: HB75/HB40	B-11x7-2	Pin Material: No Pins
MH&W International Corp		No Pins	
Phone 201-891-8800 Email: sales@mhw-intl.com		Part Number: BP 11/07-622	

BP 14/08-622

Revisions			



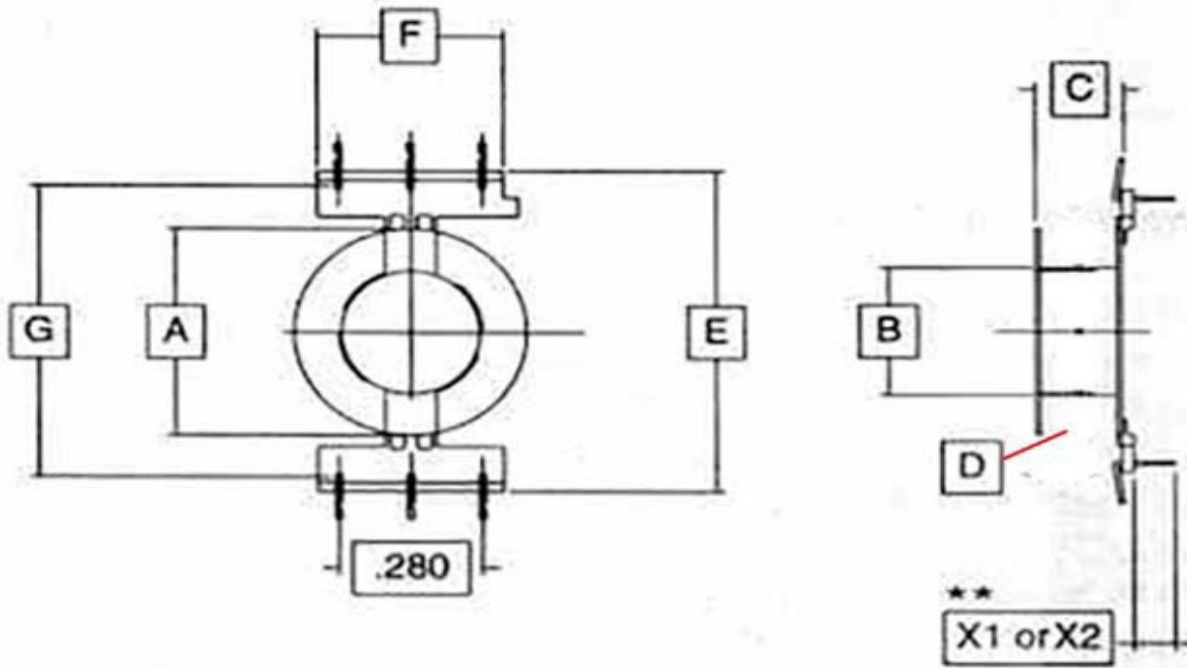
Dimensions in inches

Country of Origin: U S A	RoHS Certified: YES	UL Molder Certification: A1746
Bobbin Material: DuPont Delrin 900P Nat		Drawing Number: BP 14_08-622
UL File: E41938	UL Rec: HB75/HB40	B-14X8-2
Pin Material: No Pins		No Pins
Part Number: BP 14/08-622		

MH&W International Corp
 Phone 201-891-8800 Email: sales@mhw-intl.com

BP 14/08-PC1 6 SP FR

Revisions			

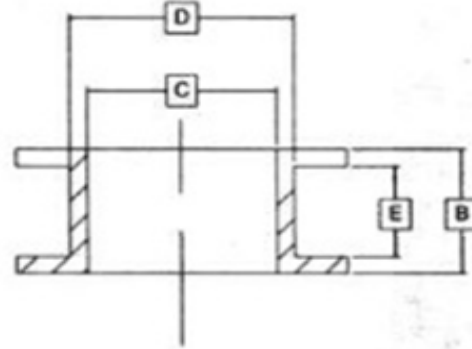
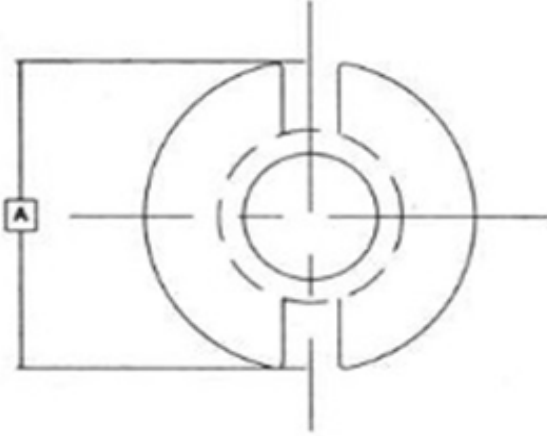


A max	B max	C max	D nom	E max	F max	Gnom	X1 nom	X2 nom
0.453	0.28	0.213	0.175	0.748	0.402	0.638	0.187	0.281

P1408-6-11FR		Dimensions in inches	
Country of Origin: U S A	RoHS Certified: YES	UL Molder Certification: A1746	
Bobbin Material: DuPont Delrin 900P Nat		Drawing Number: BP 14_08-PC1 6 SP FR	
UL File: E41938	UL Rec: HB75/HB40	Pin Material: 70-30 Brass	
MH&W International Corp Phone 201-891-8800 Email: sales@mhw-intl.com		Pin Plating: Sn	
		Part Number: BP 14/08-PC1 6 SP FR	

BP 18/11-612 N 1/2

REV	DATE	DESCRIPTION	INI
-	2014/07/15	INITIAL ISSUE	gvs



Description		A MAX	B MAX	C MIN	D MAX	E NOM	Inv #
BP 18/11-612 N 1/2	in	0.587	0.146	0.302	0.350	0.240	111276500
	mm	14.9	3.7	7.7	8.9	6.1	

Country of Origin: U S A	RoHS Certified: YES
Bobbin Material: DuPont Delrin 900P Natural	
UL File: E41938	UL Rec: HB75/HB40
MH&W International Corp	
Phone 201-891-8800 Email: sales@mhw-intl.com	

UL Molder Certification: A1746
Drawing Number: BP 18/11-612 N 1/2
Part Number: BP 18/11-612 N 1/2

BP PC Series

REV	DATE	DESCRIPTION	BY
-	2024/06/24	INITIAL ISSUE	dr

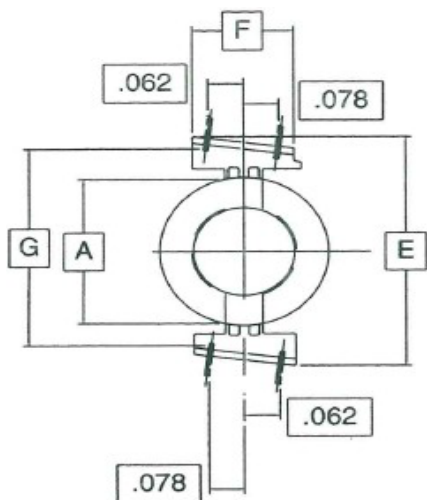


Fig. 1

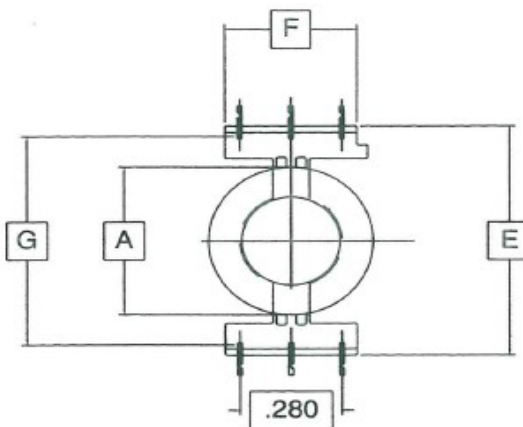


Fig. 2

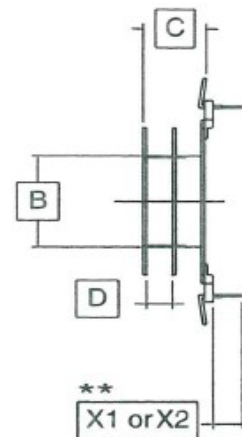


Fig. 3

Part Number	Dimensions in Inches									
	Fig No.	A MAX.	B MAX.	C MAX.	D Nom.	E MAX.	F MAX.	G Nom.	X1** Nom.	X2** Nom.
BP 14/08-PC1	1 & 3	0.453	0.28	0.213	0.175	0.748	0.232	0.638	0.187	0.281
BP 14/08-PC2	1 & 3				0.08					
BP 14/08-PC1 6	2 & 3	0.453	0.28	0.213	0.175	0.748	0.402	0.638	0.187	0.281
BP 14/08-PC2 6	2 & 3				0.08					
BP 18/11-PC1	2 & 3	0.583	0.343	0.277	0.238	0.937	0.402	0.852	0.187	0.281
BP 18/11-PC2	2 & 3				0.11					
BP 22/13-PC1	2 & 3	0.701	0.421	0.354	0.307	1.071	0.402	0.99	0.187	0.281
BP 22/13-PC2	2 & 3				0.145					
BP 26/16-PC1	2 & 3	0.823	0.504	0.425	0.378	1.209	0.402	1.131	0.187	0.281
BP 26/16-PC2	2 & 3				0.18					

** If short pin (X1) is desired, add "SP" on end of part number.

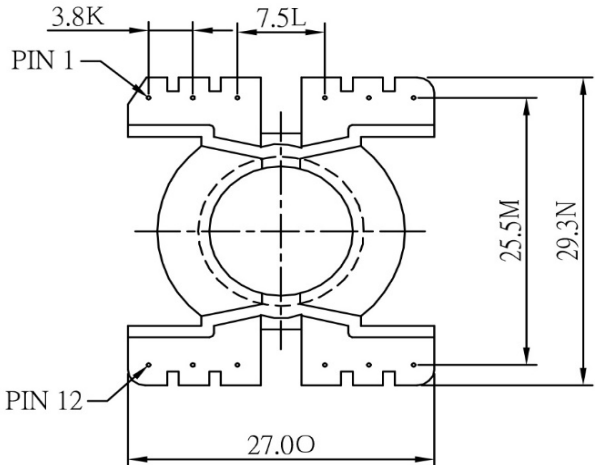
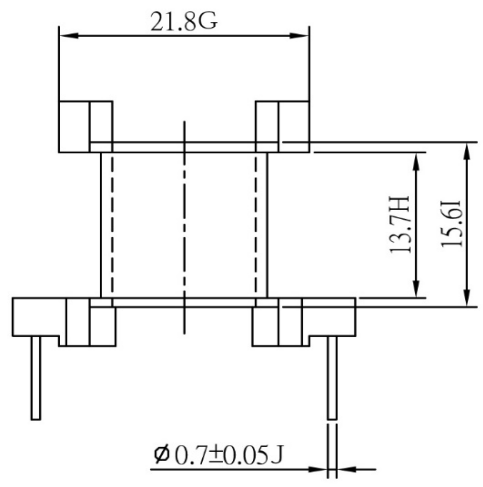
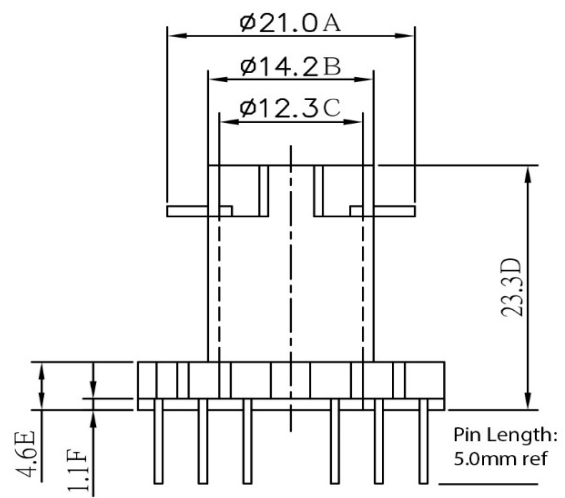
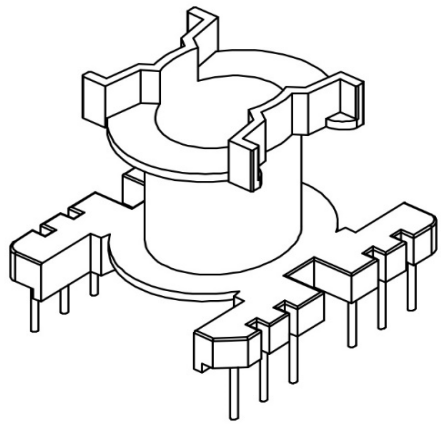
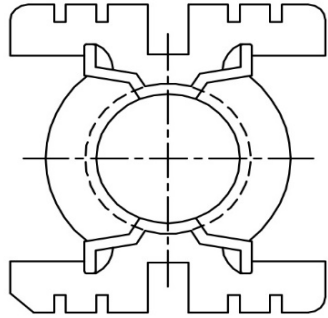
If long pin (X2) is desired, add "LP" on end of part number.

*** If 94 V-0 material is required add "FR" on end of part number.

Tolerances: 0<L≤4 ±0.2; 4<L≤16 ±0.3; 16<L≤63 ±0.4			Pin Pitch: ± 0.2	
Country of Origin: USA		RoHS Certified: YES		Title: Pot Core Bobbin Thru Hole
UL Molder Certification: A1716				
Bobbin Material: Nylon 6/6-40% Glass Filled ***				Drawing Number:
UL File: ***		UL Rec: ***		Pin Material: 70-30 Brass
P Series			Finish: 60-40 Tin	
MH&W International Corp				Pin Tension: N/A
Phone 201-891-8800 Email: sales@mhw-intl.com				Part Number: BP PC Series

BPQ26/25-1112CP-S2-P5.0

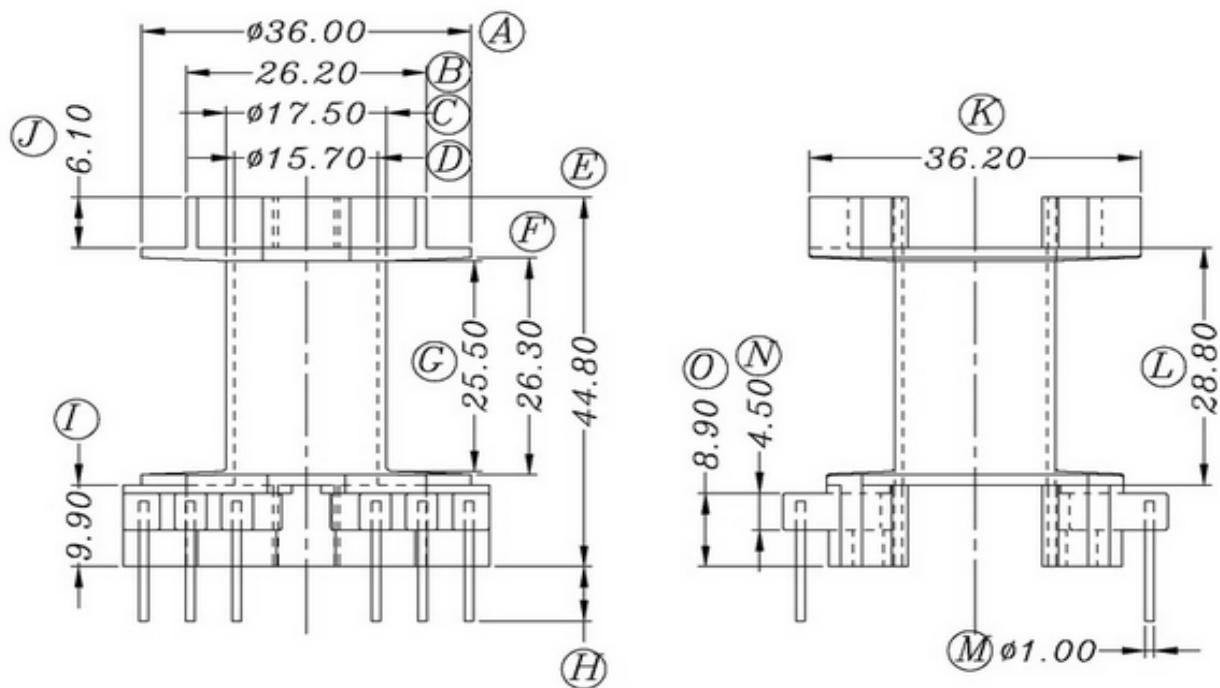
Revisions			
-	2015/10/01	Initial Issue	gvs



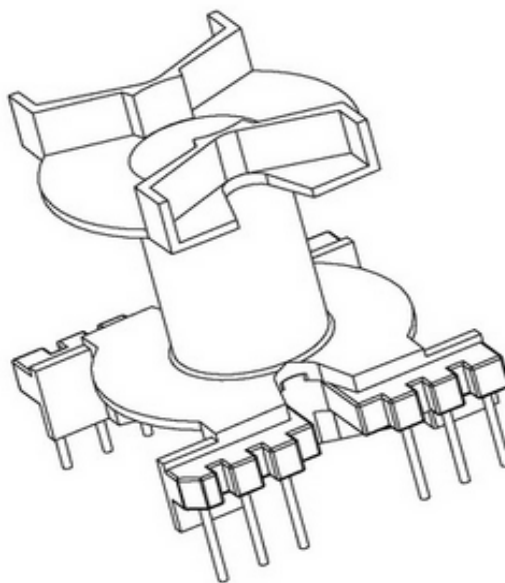
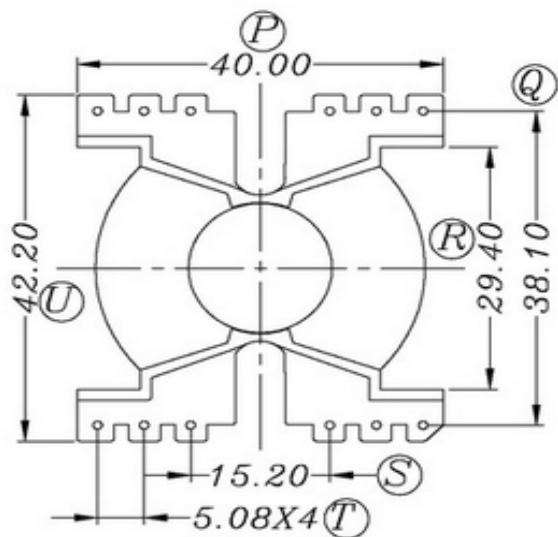
Reference: Shulin PQ-2625-2-P5.0		Tolerance of Pin Pitch: ± 0.20	Dimensions in mm
Country of Origin: Taiwan	RoHS Certified: YES	Tolerances: $0 < L \leq 4: \pm 0.1$ $4 < L \leq 16: \pm 0.2$ $16 < L \leq 63: \pm 0.3$	
Bobbin Material: Phenolic Sumitomo PM9820		Drawing Number: BPQ26_25-1112CP-S2-P5.0	
UL File: E41429	UL Rec: 94-V0	Pin Material: Steel Wire (CP)	
MH&W International Corp Phone 201-891-8800 Email: sales@mhw-intl.com		Pin Tension: 1.5Kgm min	Finish: matte Sn
		Part Number: BPQ26/25-1112CP-S2-P5.0	

BPQ40/40-1112CP-PM-P7.0

REV	DATE	DESCRIPTION	BY
-	2025/03/12	INITIAL ISSUE	dr
01	2025/12/06	Corrected material manufacturer.	dr



7.0 mm REF



Tolerances: 0<L≤4 ±0.2; 4<L≤16 ±0.3; 16<L≤63 ±0.4

Pin Pitch: ± 0.2

Country of Origin: China

RoHS Certified: YES

Bobbin Material: Changchun PM9630

UL File: E41429

UL Rec: 94-V0

P-4010

MH&W International Corp

Phone 201-891-8800 Email: sales@mhw-intl.com

Dimensions in mm

Title:

BOBBIN PQ40/40 12 PIN

Drawing Number: BPQ40/40-1112CP-PM-P7.0

Pin Material: CP Wire

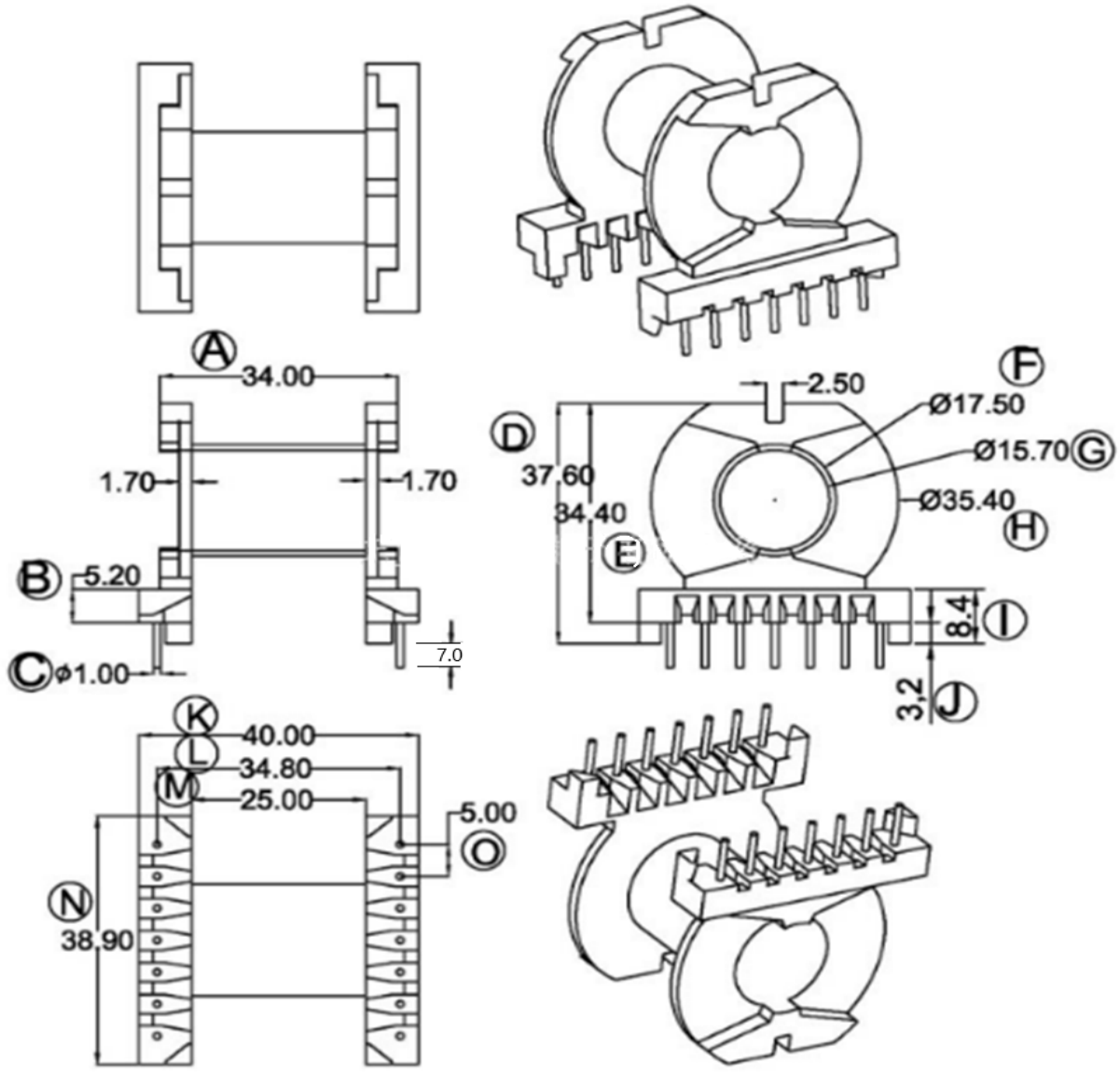
Finish: CuSn (~2%Cu)

Pin Tension: 1.0Kgm min

Part Number: BPQ40/40-1112CP-PM-P7.0

BPQ40/40-1114CPH-DG-P7.0

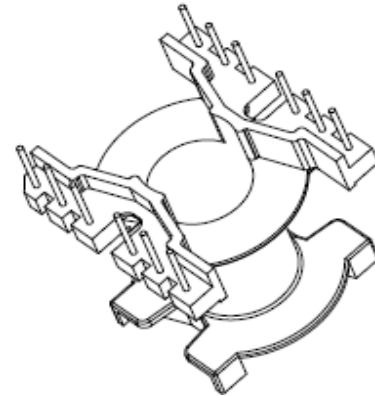
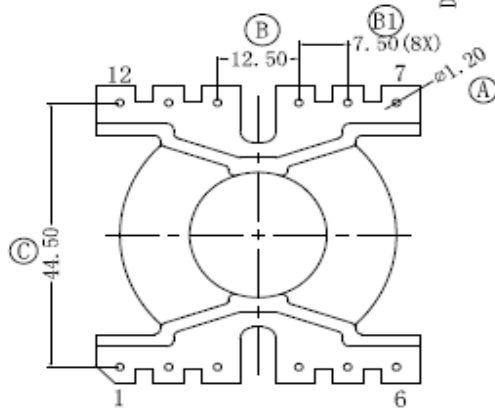
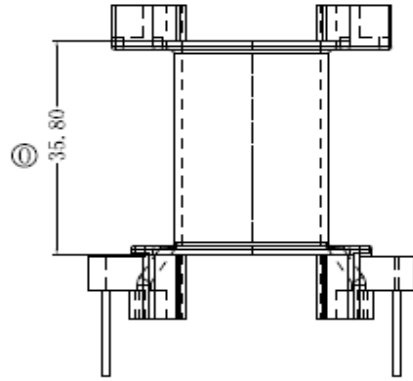
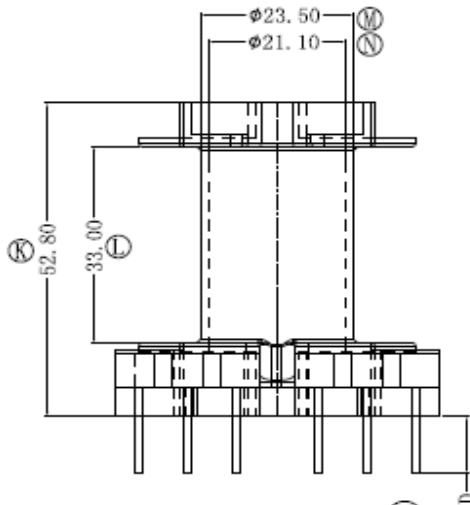
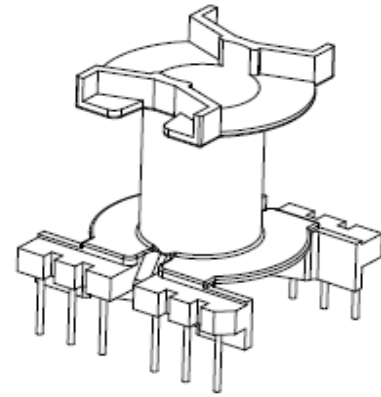
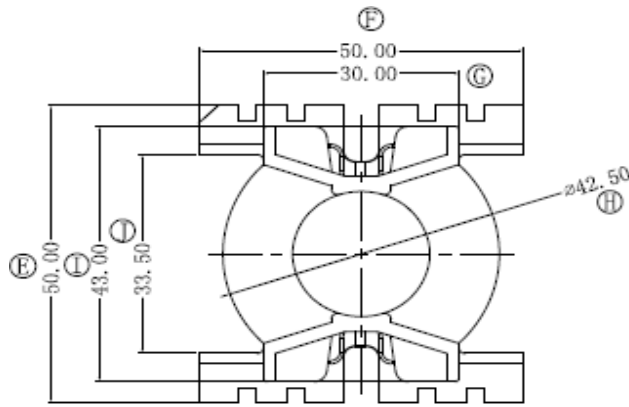
REVISIONS	DATE	DESCRIPTION	BY
-	2020/08/31	INITIAL ISSUE	dr



Pin Pitch: ± 0.2		Dimensions in mm	
Country of Origin: China	RoHS Certified: YES	Tolerances: 0<L≤4 ±0.2; 4<L≤16 ±0.3; 16<L≤63 ±0.4	
Bobbin Material: PHENOLIC T375J		Drawing Number: BPQ40_40-1114CPH-DG-P7_0	
UL File: E59481	UL Rec: 94-V0	YTS-4002	Pin Material: Steel Wire (CP)
MH&W International Corp		Pin Tension: 1.5Kgm min	Finish: matte Sn
Phone 201-891-8800 Email: sales@mhwh-intl.com		Part Number: BPQ40/40-1114CPH-DG-P7.0	

BPQ50/50-1112CP-MX-P10.0

REV	DATE	DESCRIPTION	BY
-	2023/01/30	Initial Issue	dr



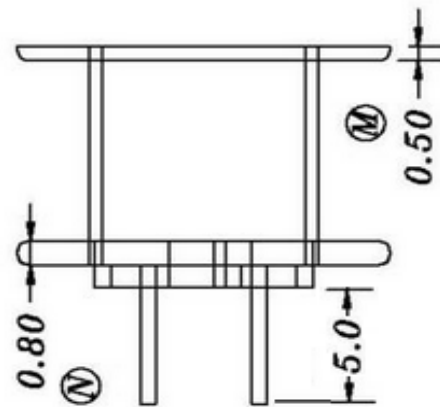
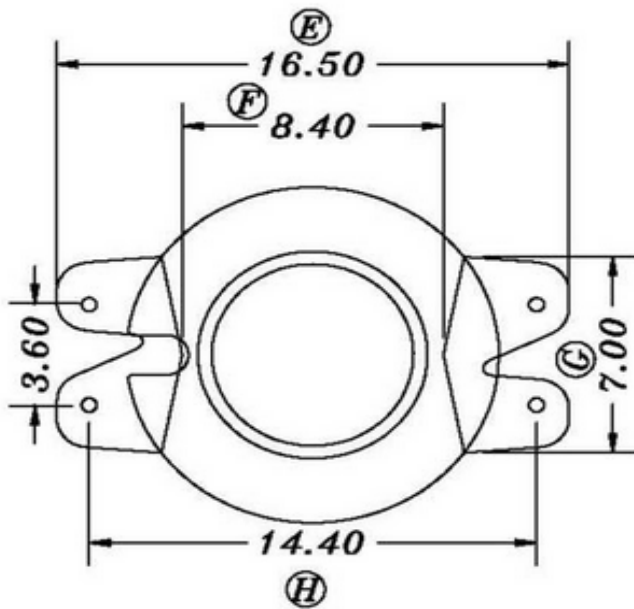
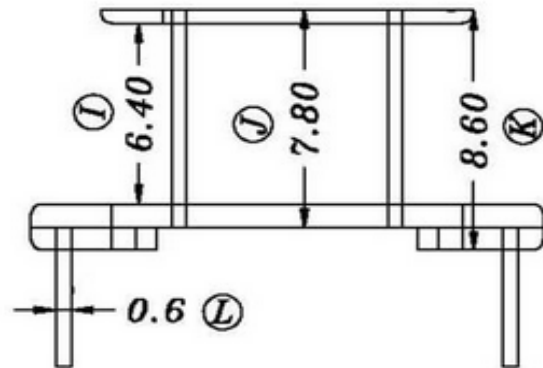
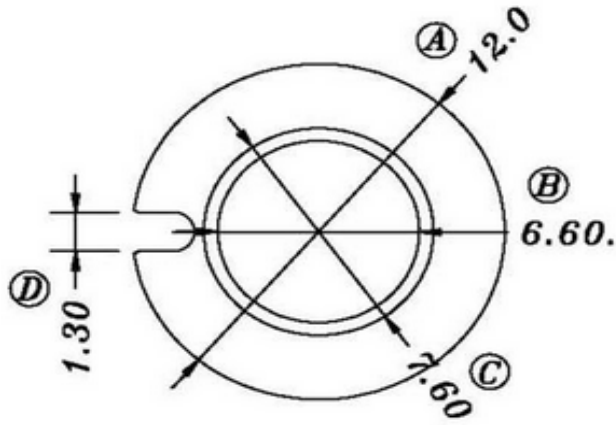
Note: Pin Length "D" Dimension is 10.0 mm.

Dimensions in mm

Tolerances: 0<L≤4 ±0.2; 4<L≤16 ±0.4; 16<L≤63 ±0.5		Replacement to TDK: FPQ50/50-B	
Country of Origin: China	RoHS Certified: YES	UL Molder Certification: E334431	
Bobbin Material: Phenolic Chang Chun T375HF		Drawing Number: BPQ50/50-1112CP-MX-P10.0	
UL File: E59481	UL Rec: 94-V0	MX-5008	Pin Material: Steel Wire (CP)
MH&W International Corp Phone 201-891-8800 Email: sales@mhw-intl.com		Pin Tension: 1.5Kgm min	Pin Plating: CuSn (~2%Cu)
		Part Number: BPQ50/50-1112CP-MX-P10.0	

BRM06-114CP-PM-P5.0

REV	DATE	DESCRIPTION	BY
-	2021/05/06	INITIAL ISSUE	dr

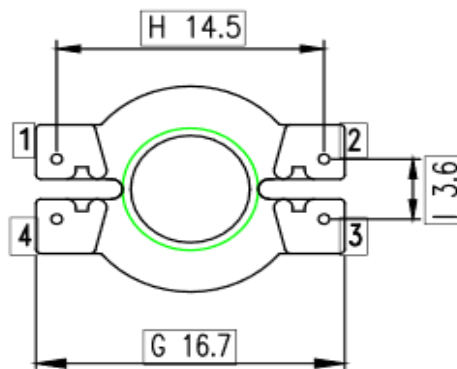
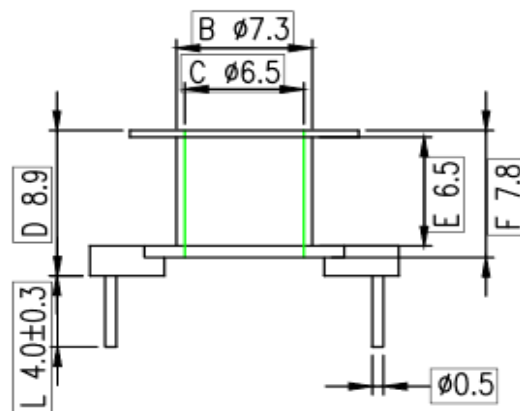
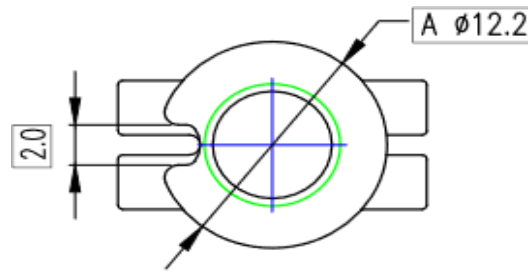


Dimensions in mm

Tolerances: 0<L≤4 ±0.2; 4<L≤16 ±0.3; 16<L≤63 ±0.4		Pin Pitch: ± 0.2	UL Molder Certification: E315110
Country of Origin: China	RoHS Certified: YES	Title: BOBBIN, RM6, 4 PIN (2+2), 1 SECTION	
Bobbin Material: PHENOLIC Chang Chung T375HF		Drawing Number: BRM06-114CP-PM-P5.0	
UL File: E59481	UL Rec: 94-V0	P-0611	Pin Material: Steel Wire (CP)
MH&W International Corp Phone 201-891-8800 Email: sales@mhw-intl.com		Pin Tension:	Finish: matte Sn
		Part Number: BRM06-114CP-PM-P5.0	

BRM06-114CP-T-P4.0

REV	DATE	DESCRIPTION	BY
-	2021/05/07	INITIAL ISSUE	dr

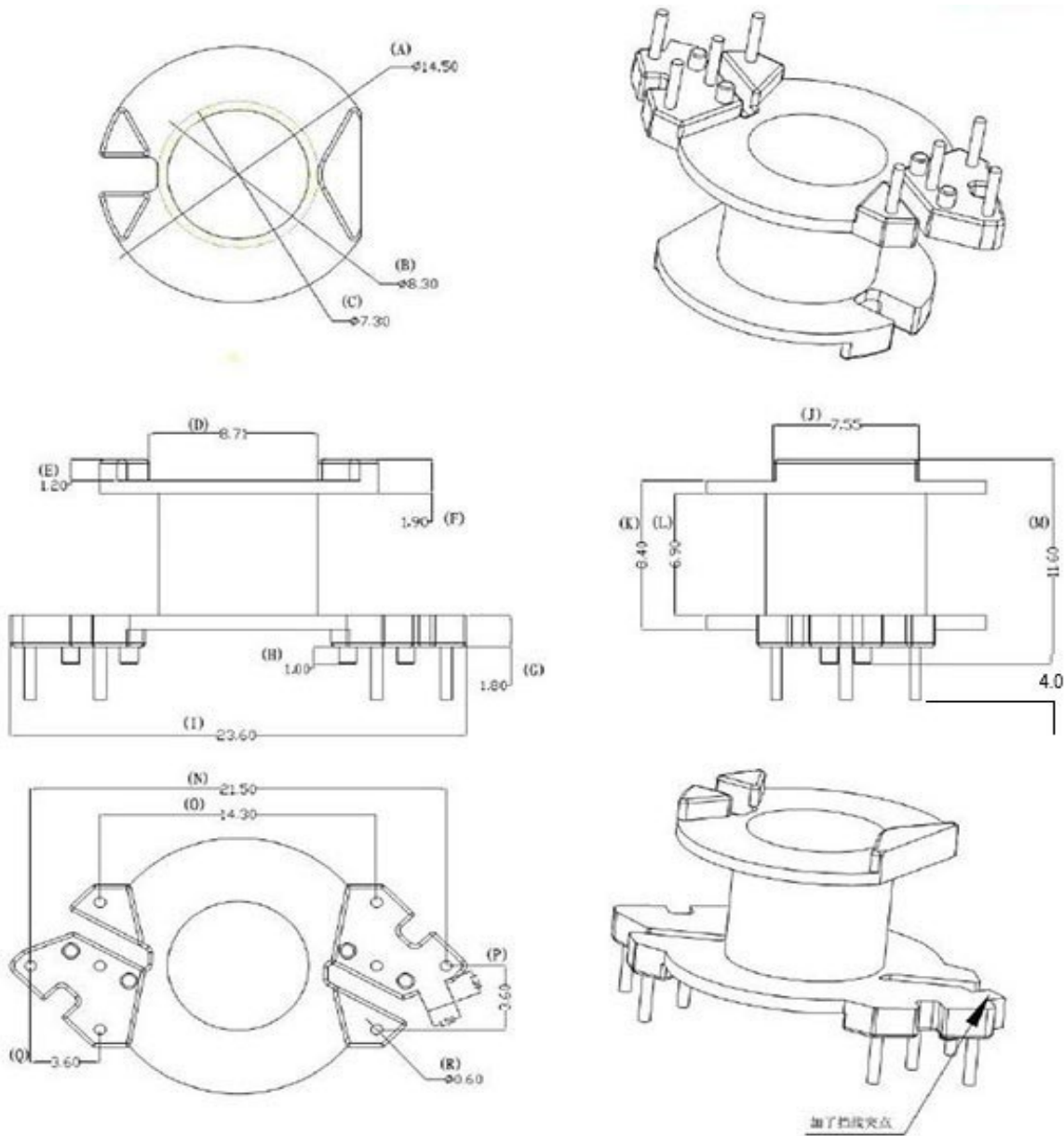


Dimensions in mm

Tolerances: $0 < L \leq 4 \pm 0.2$; $4 < L \leq 16 \pm 0.3$; $16 < L \leq 63 \pm 0.4$		Pin Pitch: ± 0.2	UL Molder Certification: E172381
Country of Origin: China	RoHS Certified: YES	Title: BOBBIN, RM6, 4 PIN (2+2), 1 SECTION	
Bobbin Material: PHENOLIC Sumitomo PM9630		Drawing Number: BRM06-114CP-T-P4.0	
UL File: E41429	UL Rec: 94-V0	1506004	Pin Material: Steel Wire (CP)
MH&W International Corp Phone 201-891-8800 Email: sales@mhw-intl.com		Pin Tension:	Finish: matte Sn
		Part Number: BRM06-114CP-TM-P4.0	

BRM07-118CP-DG-P4

REVISIONS	DATE	DESCRIPTION	BY
-	2020/05/20	INITIAL ISSUE	dr



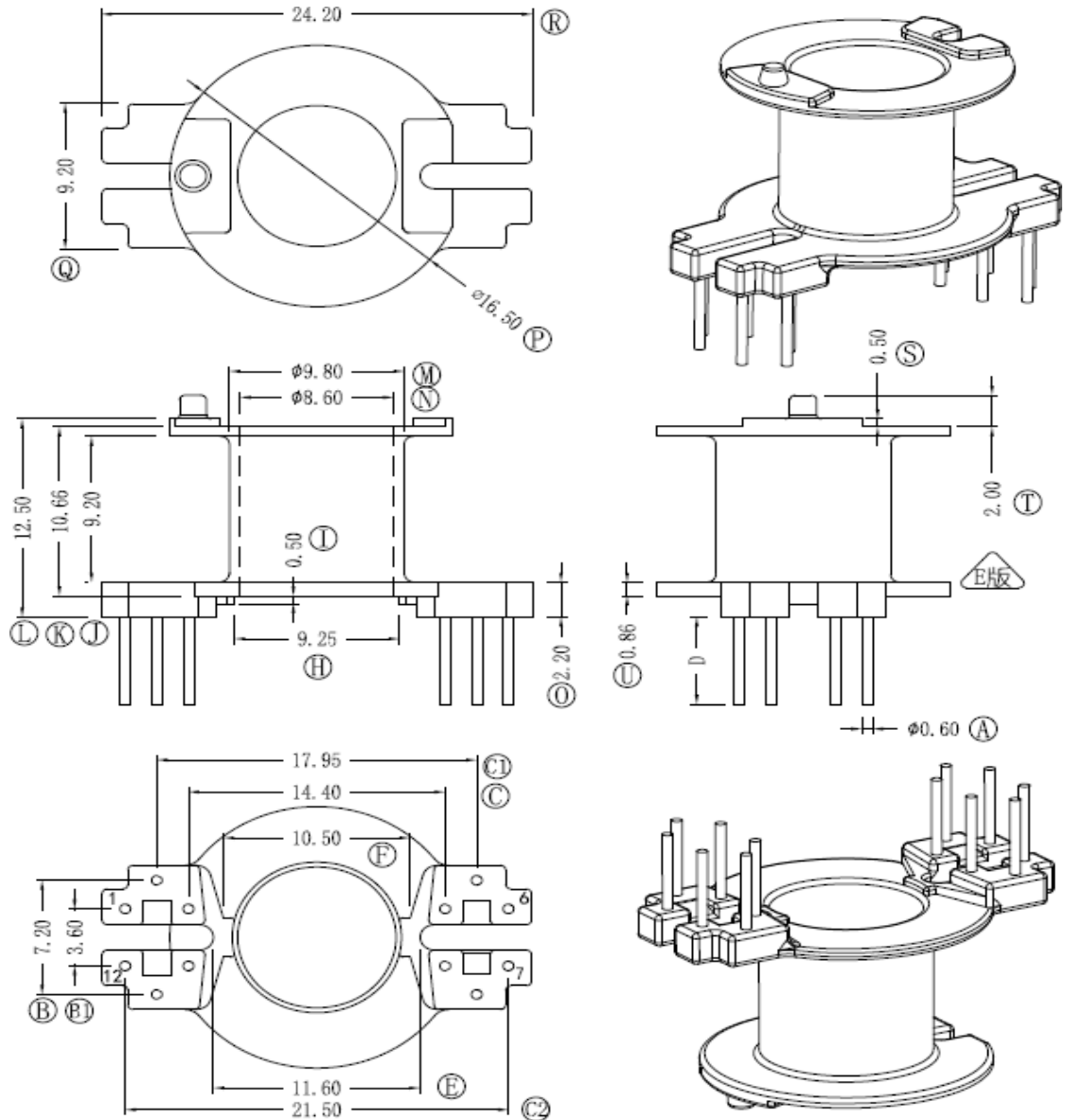
Pin Pitch: ± 0.2

Dimensions in mm

Country of Origin: China	RoHS Certified: YES	Tolerances: $0 < L \leq 4 \pm 0.2$; $4 < L \leq 16 \pm 0.3$; $16 < L \leq 63 \pm 0.4$	
Bobbin Material: PHENOLIC T375J		Drawing Number: BRM07-118CP-DG-P4	
UL File: E59481	UL Rec: 94-V0	YT-0701	Pin Material: Steel Wire (CP)
MH&W International Corp Phone 201-891-8800 Email: sales@mhw-intl.com		Pin Tension: 1.5Kgm min	Finish: matte Sn
		Part Number: BRM07-118CP-DG-P4	

BRM08-118CP-MX-P5.0

Revisions	Date	Description	By
-	2022/03/01	Initial Issue	dr



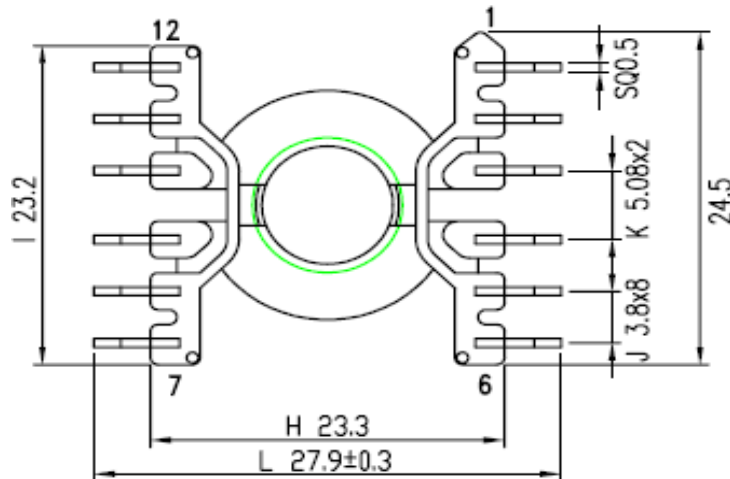
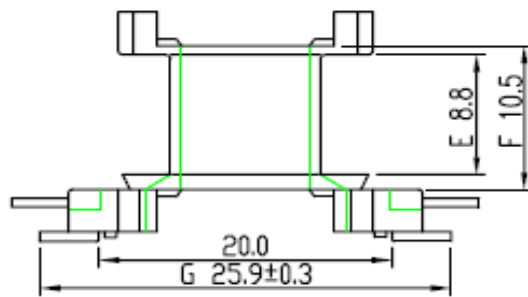
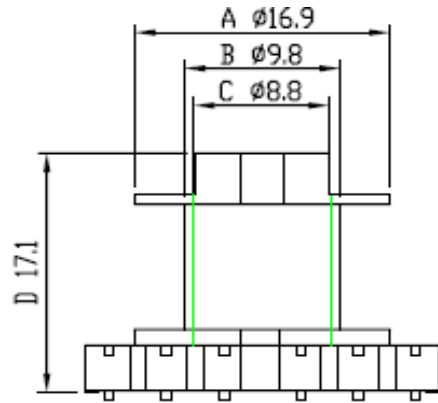
- Notes: 1. Without pins 3,4,9 & 10
 2. "D" dimension = 5.0 mm.

Tolerances: 0 < L ≤ 4: ±0.2 4 < L ≤ 16: ± 0.3 16 < L ≤ 63: ±0.4		Inventory Number: MX-0809-8PINS
Country of Origin: China	RoHS Certified: YES	UL Molder Certification: E315110
Bobbin Material: Phenolic Sumitomo PM9630		Drawing Number: BRM08-118CP-MX-P5.0
UL File: E41429	UL Rec: 94-V0	MX-0809-8PINS
Pin Material: Steel Wire (CP)		Pin Tension: >1.0Kgm
Pin Plating: CuSn (~2%Cu)		Part Number: BRM08-118CP-MX-P5.0

MH&W International Corp
 Phone 201-891-8800 Email: sales@mhw-intl.com

BRM08-8112JDS-T

REV	DATE	DESCRIPTION	BY
-	2021/09/24	INITIAL ISSUE	dr

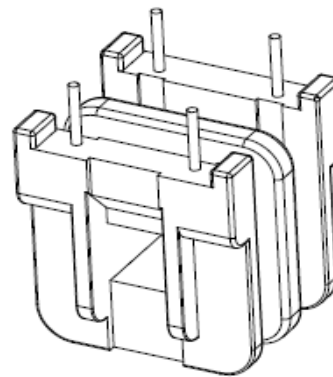
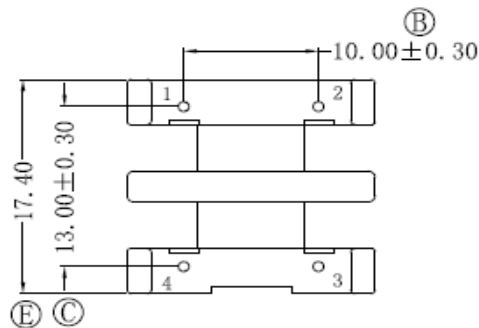
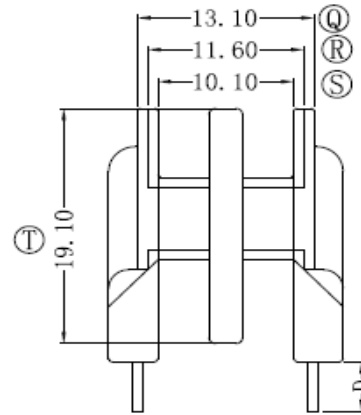
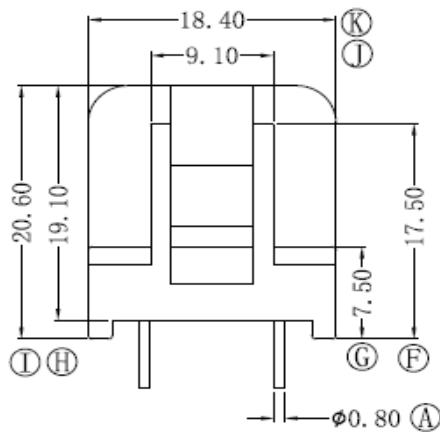
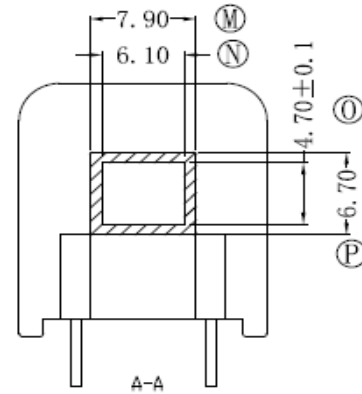
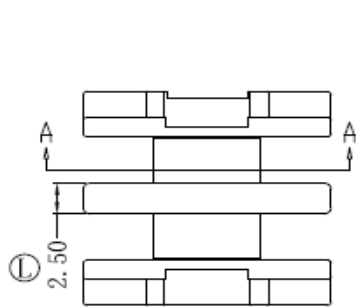


Dimensions in mm

Tolerances: $0 < L \leq 4 \pm 0.2$; $4 < L \leq 16 \pm 0.3$; $16 < L \leq 63 \pm 0.4$		Pin Pitch: ± 0.2	UL Molder Certification: E172381
Country of Origin: China	RoHS Certified: YES	Title: BOBBIN RM8 SMD 12 J-PIN	
Bobbin Material: Dupont Rynite FR530		Drawing Number: BRM08-8112JDS-T	
UL File: E41938	UL Rec: 94-V0	SRM8001	Pin Material: CP Wire
MH&W International Corp Phone 201-891-8800 Email: sales@mhw-intl.com		Pin Tension: n/a	Finish: matte Sn
		Part Number: BRM08-8112JDS-T	

BU 16-124CPH-MX-P6.0

REV	DATE	DESCRIPTION	BY
-	2025/10/13	INITIAL ISSUE	dr



Tolerances: 0<L≤4 ±0.2; 4<L≤16 ±0.3; 16<L≤63 ±0.4

Pin Pitch: ± 0.2

Dimensions in mm

Country of Origin: China

RoHS Certified: YES

Title:

BOBBIN UU16 HORIZONTAL 4 PIN

UL Molder Certification: E163831

Bobbin Material: Sumitomo Chang Chung T375HF

Drawing Number: BU 16-124CPH-MX-P6.0

UL File: E59481

UL Rec: 94-V0

MX-1502

Pin Material: Steel Wire (CP)

MH&W International Corp

Pin Tension: 1.0 Kgm min.

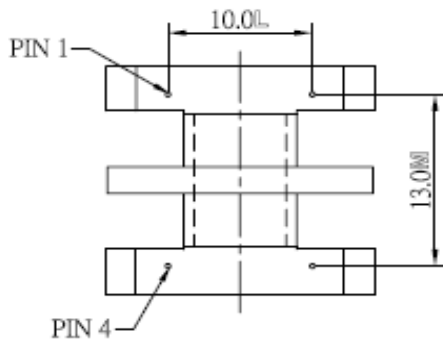
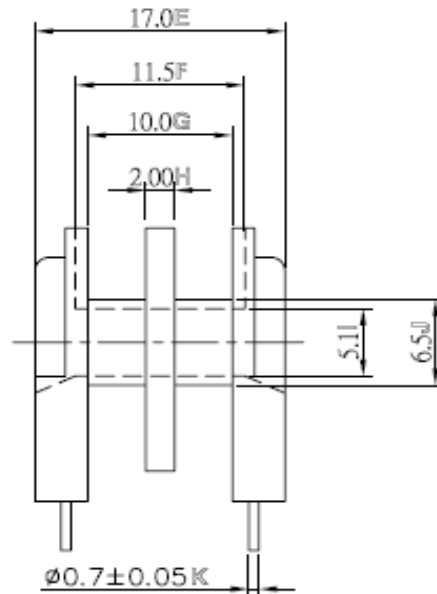
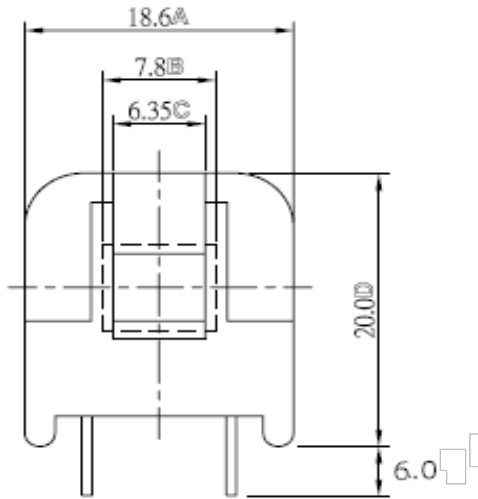
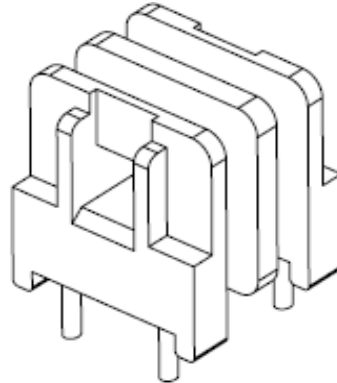
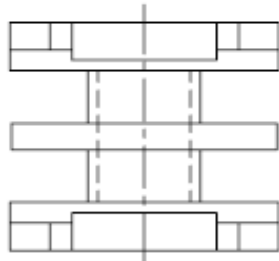
Finish: Tin

Phone 201-891-8800 Email: sales@mhw-intl.com

Part Number: BU 16-124CPH-MX-P6.0

BU 16-124CPH-S-P6.0

REVISIONS	DATE	DESCRIPTION	BY
-	2025/10/10	INITIAL ISSUE	dr



Dimensions in mm

Pin Pitch: ± 0.2

Country of Origin: China

RoHS Certified: YES

Bobbin Material: Chang Chung T375HF

UL File: E59481

UL Rec: 94-V0

TF-1502-1

MH&W International Corp

Phone 201-891-8800 Email: sales@mhw-intl.com

UL Molder Certification: E149570

Tolerances: $0 < L \leq 4 \pm 0.2$; $4 < L \leq 16 \pm 0.3$; $16 < L \leq 63 \pm 0.4$

Drawing Number: BU 16-124CPH-S-P6.0

Pin Material: Steel Wire (CP)

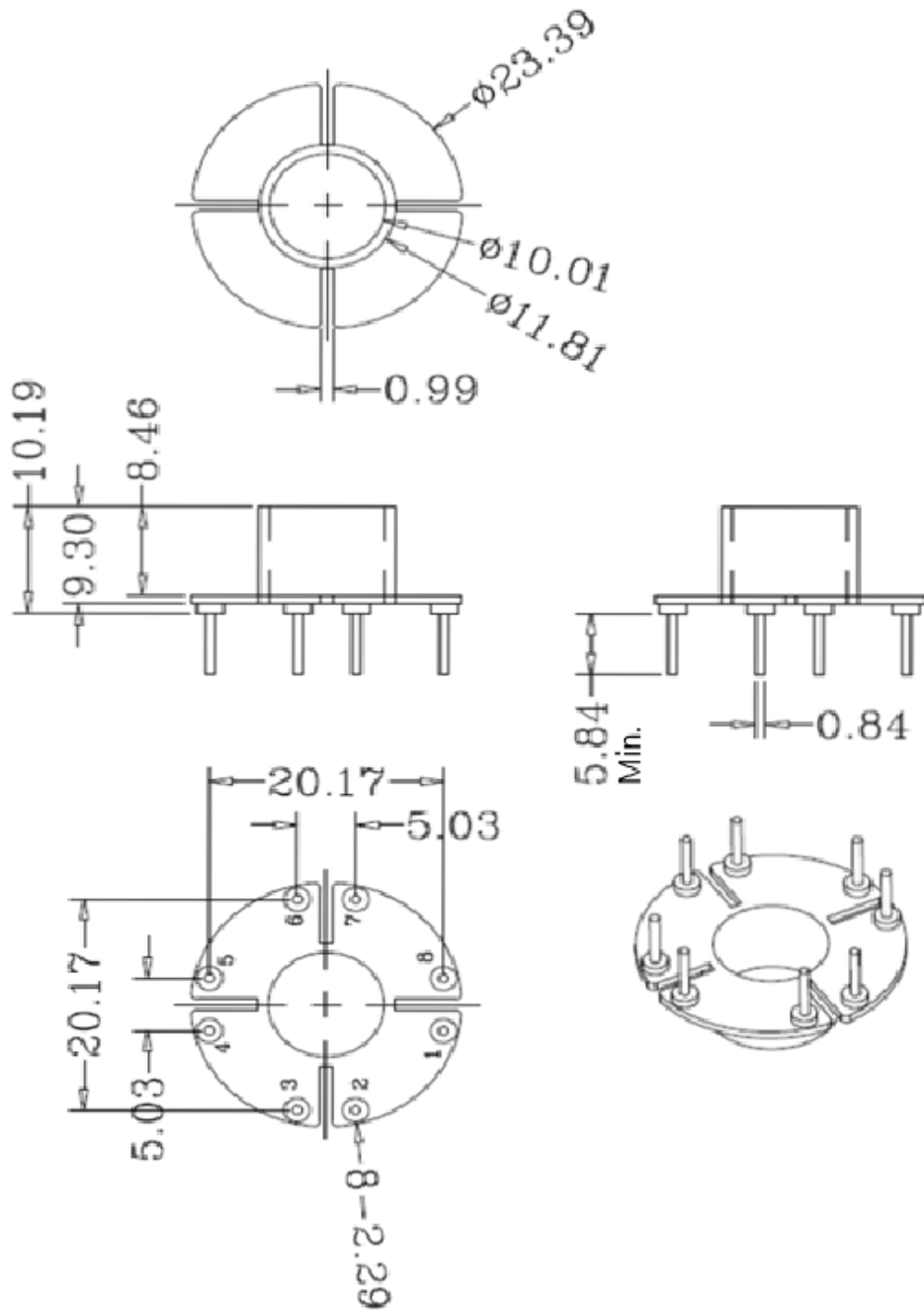
Pin Tension: 1.0Kgm min

Finish: matte Sn

Part Number: BU 16-124CPH-S-P6.0

BX25-118CP-PM

Revisions			
-	2025/04/10	INITIAL ISSUE	dr



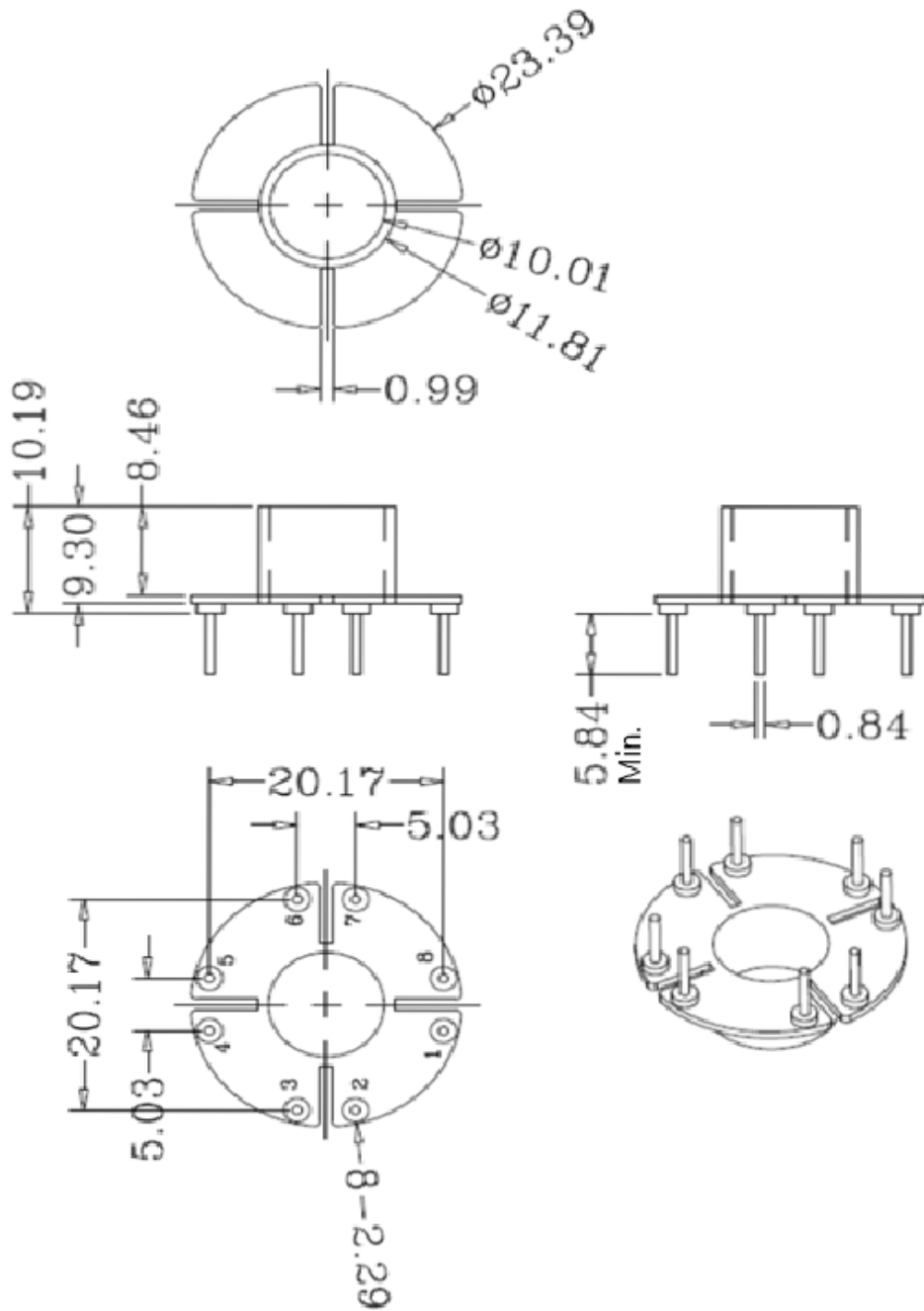
Pin Pitch: ± 0.2

Dimensions in mm

Country of Origin: China	RoHS Certified: YES	Tolerances: $0 < L \leq 4 \pm 0.2$; $4 < L \leq 16 \pm 0.3$; $16 < L \leq 63 \pm 0.4$	
Bobbin Material: PHENOLIC PM9820		Drawing Number: BX25-118CP-PM	
UL File: E41429	UL Rec: 94-V0	Pin Material: Tin-coated copper-clad steel wire	
MH&W International Corp Phone 201-891-8800 Email: sales@mhw-intl.com		Pin Tension: 1.0Kgm min	Finish: matte Sn
		Part Number: BX25-118CP-PM	

BX25-118CP-T

Revisions			
-	2025/04/10	INITIAL ISSUE	dr



Pin Pitch: ± 0.2

Dimensions in mm

Country of Origin: China	RoHS Certified: YES	Tolerances: $0 < L \leq 4 \pm 0.2$; $4 < L \leq 16 \pm 0.3$; $16 < L \leq 63 \pm 0.4$	
Bobbin Material: PHENOLIC PM9820		Drawing Number: BX25-118CP-T	
UL File: E41429	UL Rec: 94-V0	Pin Material: Tin-coated copper-clad steel wire	
MH&W International Corp Phone 201-891-8800 Email: sales@mhw-intl.com		Pin Tension: 1.0Kgm min	Finish: matte Sn
		Part Number: BX25-118CP-T	